



INSTALLATION INSTRUCTIONS

FSM SERIES 

SMALL FLAT PANEL DISPLAY STATIC WALL MOUNT
Exclusive Q2™ Mounting System

Prior to assembly, unpack carton completely and verify contents.

If you are missing any of the following components, please contact Customer Service at 1-800/582-6480

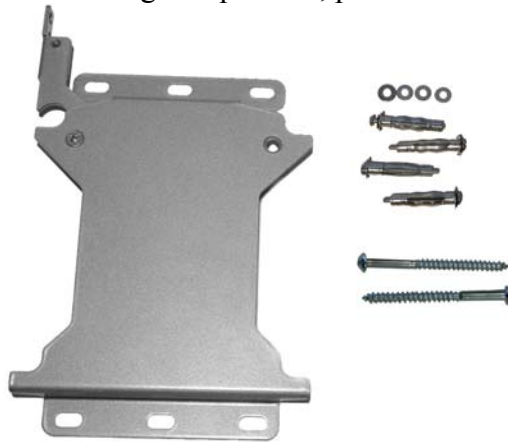


Figure 1

- (1) FSM Wall Bracket
- (2) Wood Screw

- (4) Drywall Anchor
- (4) Washer, Flat, .25 ID X .56 OD

BEFORE PROCEEDING, READ INSTALLATION INSTRUCTIONS COMPLETELY

Flat Panel Displays are Extremely Fragile.

CAUTION!

If Monitor Uses a Screw Size Other Than M4 X 10mm (M4 X 20mm), DO NOT USE M4 Screws Provided. Monitor Damage Could Occur.

Interface Bracket Installation:

1. See installation procedures accompanying your mounting bracket.

Optional Latching Flag Placement:

1. Remove Phillips head screw, Nylock nut and latching flag (see Figure 2).
2. Reposition latching flag and secure using Phillips head screw, Nylock nut.

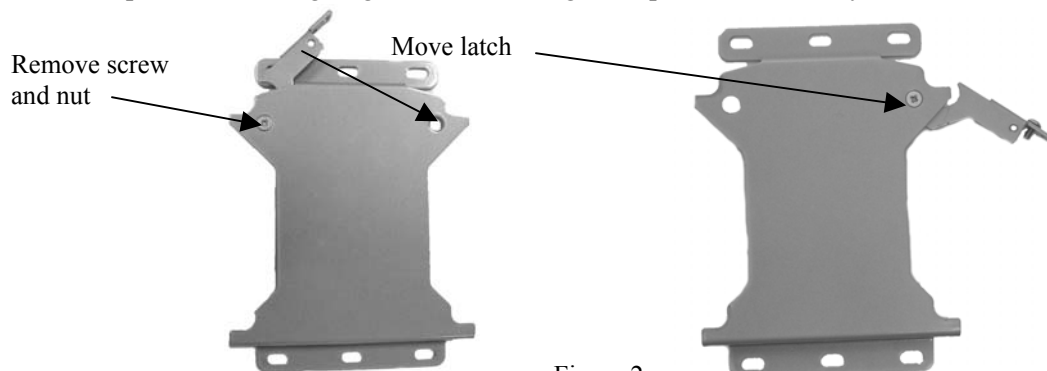


Figure 2

CAUTION! Minimum Sheetrock Thickness ½ Inch.

Drywall Installation Procedures:

1. Using the wall bracket as a template at the desired mounting location, mark the location of the four outer mounting holes.
2. Using a 3/8-inch drill, drill four pilot holes to a minimum depth of 1 1/2" at the locations marked in Step 1.
3. Install an anchor bolt in one of the pilot holes and tighten anchor bolt until it is fully seated (see Figure 3).
4. Remove and retain bolt from anchor and repeat Step 3 and 4 for three remaining anchor bolts.
5. Install .25 ID X .56 OD flat washer on each of four bolts removed from anchors.
6. Using four bolts, with washers installed, secure wall bracket to wall.

Wood Stud Installation Procedures:

1. Locate stud and, using wall bracket as a template at the desired height, mark the location of the two center mounting holes.
2. Install a flat washer on each of the two wood screws.
3. Using the two wood screws with flat washers installed, secure wall bracket to wall.

Mounting Display with Interface Bracket to Wall Bracket:

1. Make sure the latching flag on the mounting bracket is in the unlocked position (see Figure 4).
2. Place your small flat panel display; with interface bracket attached, onto the wall bracket, making sure it is securely seated.
3. Lower the latching flag on the wall bracket, locking small flat panel display in place (see Figure 5).

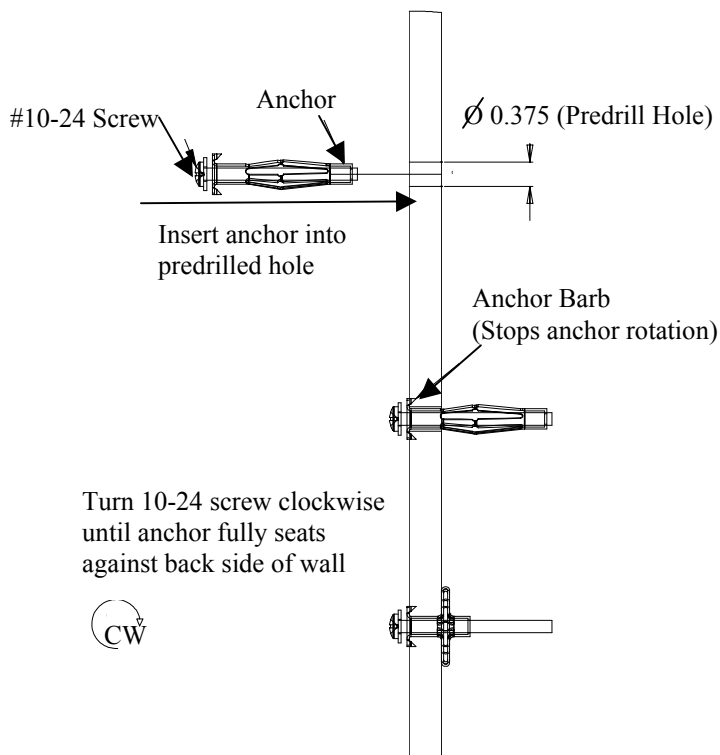


Figure 3

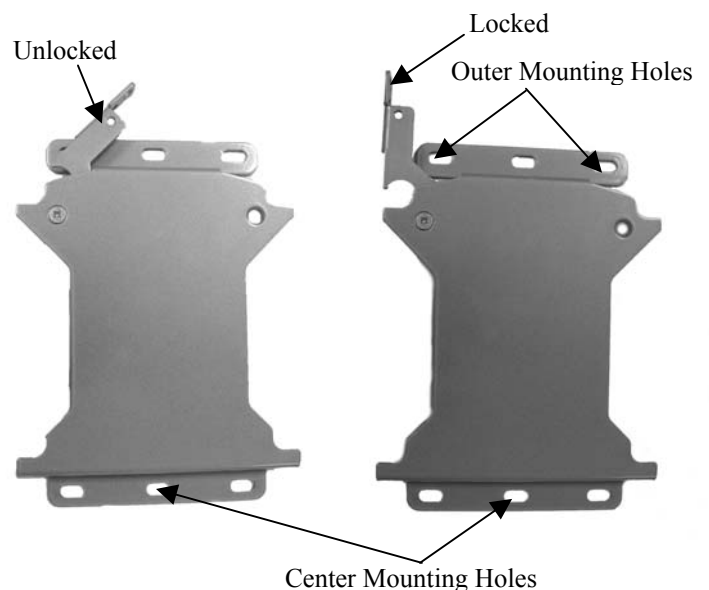


Figure 4

Figure 5