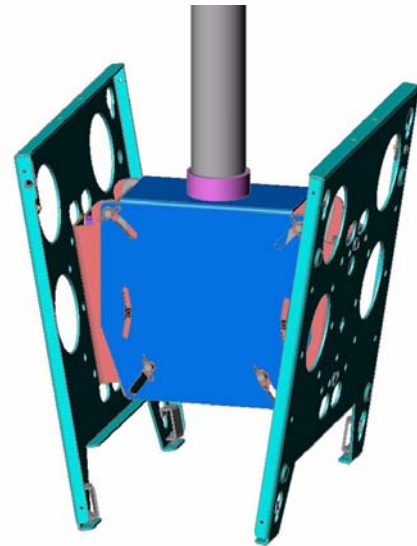

INSTALLATION INSTRUCTIONS

Plasma Dual Ceiling Mount (PDC Series)

The PDC is quick and easy to install, providing a sturdy support for two flat panel display screens from a ceiling. Flat panel displays may be mounted horizontally (landscape) or vertically (portrait mode).

Chief's exclusive Q-latch™ mounting system makes installation and removal of flat panel displays easier and more secure. Q-latch clamps are included as an additional safety factor.

Each mounting surface features separate roll adjustment and gravity centered access point adjustment for easy pitch adjustment. Once adjusted for optimal viewing, the positioning is locked in place to prevent accidental alignment changes.



BEFORE YOU BEGIN

- **CAUTION:** To prevent damage to the PDC, which could affect or void the Factory warranty, and to the equipment that will be attached to it, thoroughly study all instructions and illustrations before you begin the installation. Pay particular attention to the “Important Precautions” on Page 1.
- The maximum weight to be installed on the PDC wall mount is 300 pounds (136.048 Kg).
- If you have any questions about this installation, contact Chief Manufacturing at 1-800-582-6480.



IMPORTANT WARNINGS AND PRECAUTIONS!

- WARNING:** A **WARNING** alerts you to the possibility of serious injury or death if you do not follow the instructions.
- CAUTION:** A **CAUTION** alerts you to the possibility of damage or destruction of equipment if you do not follow the corresponding instructions.
- **WARNING: Improper installation can result in serious personal injury! Make sure that the ceiling structural members can support a redundant weight factor *five times* the total weight of the equipment: if not, reinforce the ceiling before installing the suspended ceiling kit.**
 - **WARNING: Be aware also of the potential for personal injury or damage to the unit if it is not adequately mounted.**
 - **WARNING: The installer is responsible for verifying that the ceiling to which the PDC's reinforcing plate is anchored will safely support the combined load of all attached components or other equipment.**
 - **WARNING: The combined weight of both plasma display panels must not exceed 300 lbs (136.048 kg), the maximum load capacity of the reinforcing plate.**
 - **CAUTION:** To avoid personal injury or damage to the suspended ceiling kit, be sure that it is installed square and parallel in all dimensions. Avoid stressing the unit at any time while you are installing it.
 - **CAUTION:** Check the unit for shipping damage before you begin the installation.

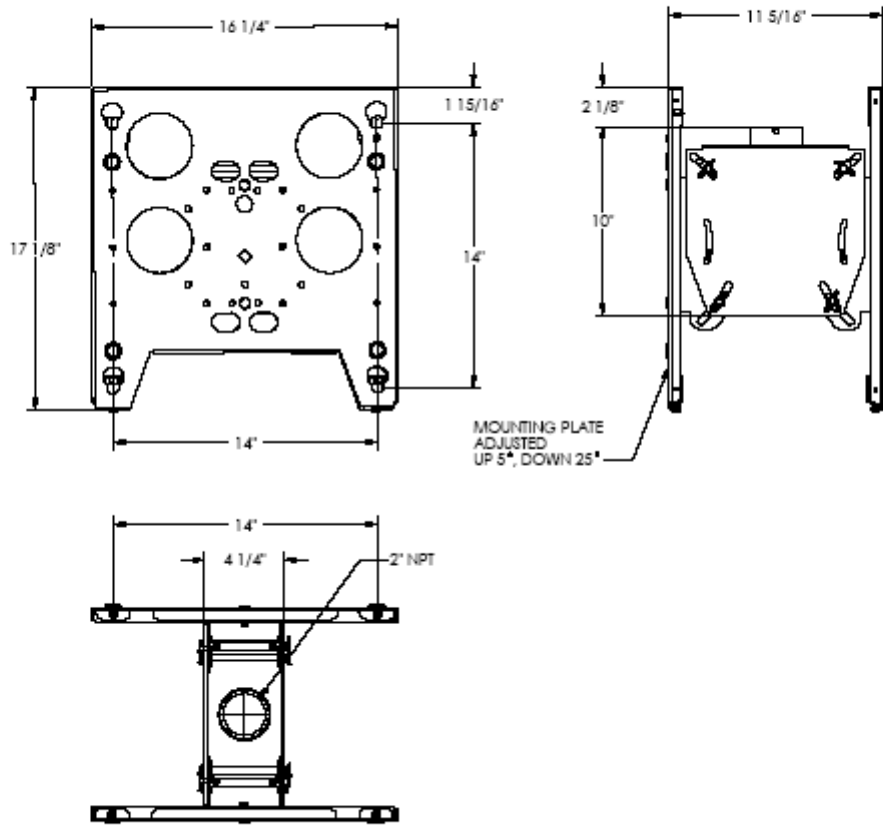
CONTENTS

TOOLS REQUIRED FOR INSTALLATION	1
DIMENSIONAL DRAWING	2
INSPECT THE UNIT BEFORE INSTALLING	3
ASSEMBLY PROCEDURES.....	3
ADJUSTMENTS	4
REMOVE THE DISPLAY	4

TOOLS REQUIRED FOR INSTALLATION

- Pipe wrench
- Socket set
- Other tools may be required depending on the method of installing the unit in the ceiling.

DIMENSIONAL DRAWING



INSPECT THE UNIT BEFORE INSTALLING

WARNING: Watch for pinch points. Do not put your fingers between movable parts.

- Carefully inspect the PDC for shipping damage. If any damage is apparent, call your carrier claims agent and do not continue with the installation until the carrier has reviewed the damage.

NOTE: Read all instructions before starting installation.

- Lay out components to ensure you have all the required parts before proceeding:
 - PDC (see dimensional drawing on page 2)
 - PSB Package (see PSB Instruction Sheet for contents of this package)

ASSEMBLY PROCEDURES

WARNING: Improper installation can cause serious personal injury! Make sure that the ceiling structural members can support a redundant weight factor five times the total weight of the entire mounting assembly with the equipment you intend to support overhead. The ceiling must be reinforced before you install the PDC if the ceiling cannot support a redundant weight factor five times the total weight of the mounting assembly and the equipment.

- Thread the PDC onto the 2”NPT pipe extension you have provided.
- Following the instructions for installing the PSB of your specific flat panel display, install the bracket(s) on your flat panel display.

WARNING: Watch for pinch points. Do not put your fingers between movable parts.

- Before lifting your flat panel display, make sure the latch of the PDC is lowered and will not interfere with mounting the plasma (see Figure 1).
- Using two people, align the Q-latch buttons with the Q-latch openings and install the display. Make sure the buttons of the Q-latch bracket fully engage all the Q-latch openings on the PDC (see Figure 2).
- Secure the display to the PDC by completely engaging the latch (see Figure 3).
- Lock the display in place by installing two Q-clamps on each side of the bottom of face plate as shown in Figure 4.
- Connect and secure power/audio/video cables.

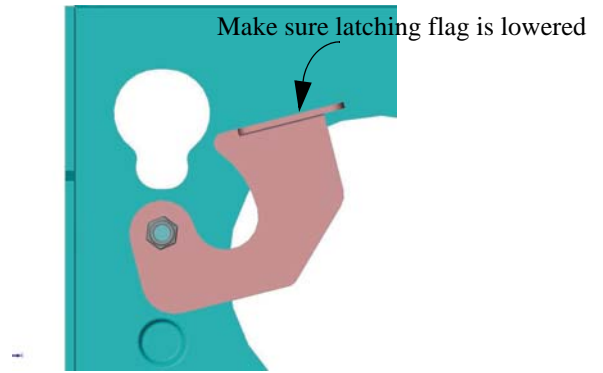


Figure 1. Lower Latch

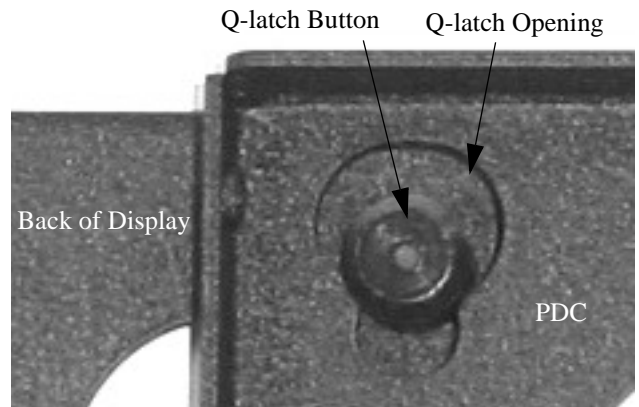


Figure 2. Align Button In Opening

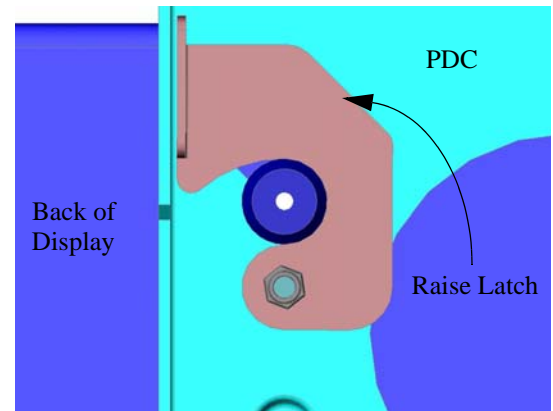


Figure 3. Engage Latch

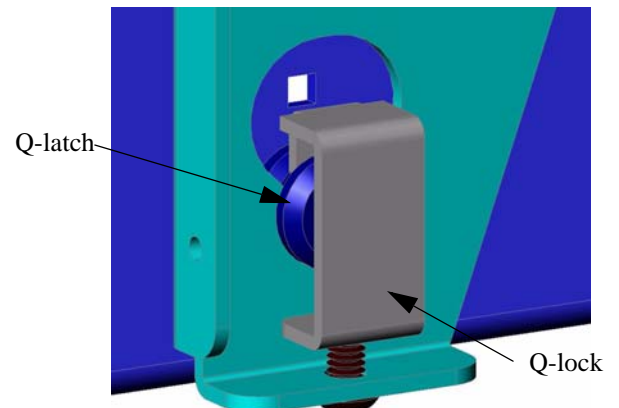


Figure 4. Install Q-Lock

ADJUSTMENTS

Roll Adjustment

1. Loosen two 3/8-16 Nylock nuts inside the PDC (see Figure 5).
2. Using the bottom two slotted holes, adjust roll.
3. Tighten 3/8-16 Nylock nuts.

Pitch Adjustment

1. For display 1, loosen the screw on each side of the PDC (see Figure 6).
2. Gently adjust to desired pitch.
3. Tighten the screw on each side of the PDC.
4. Repeat steps 1 through 3 for display 2.

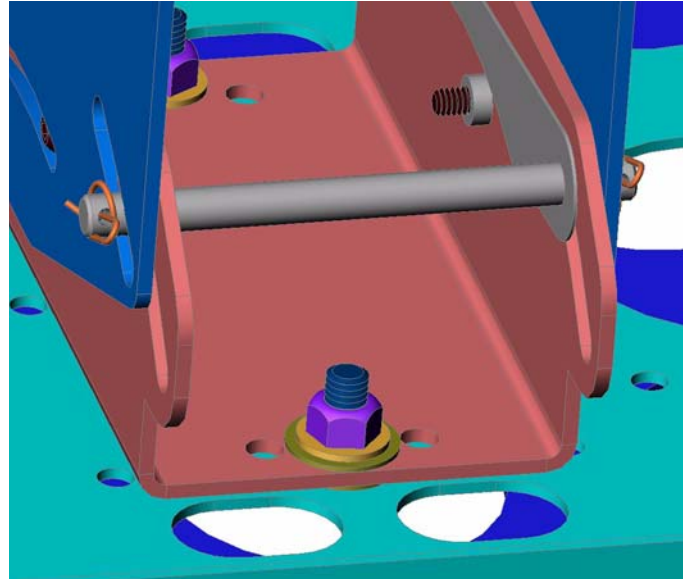


Figure 5. Adjust Roll

REMOVE THE DISPLAY

1. Disconnect power/audio/video cables.
2. Remove the two Q-clamps.
3. Disengage (lower) the latch.
4. Using two people, lift the display from the PDS.

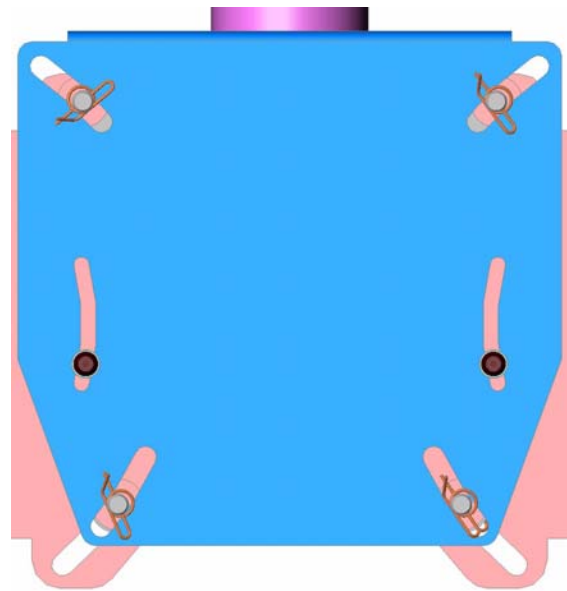


Figure 6. Adjust Pitch