

## 116.706.21.1

### E-Tronic™ 40 Deck Mounted 4" Centerset Lavatory Faucet - AC

#### PRODUCT TYPE

Deck Mounted 4" Centerset Faucet

#### FEATURES & SPECIFICATIONS

- Polished chrome plated finish
- Efficient dual beam infrared sensors
- Metal spout construction
- 4" C-C Integral body designed for single or 4" mounting installation
- .5 GPM (1.9 L/min) vandal resistant spray outlet, catalog #E2805
- Multiple field adjustable modes and ranges
- Single supply for tempered water
- Above deck hermetically sealed electronics
- Above deck water-tight solenoid with filter screen
- 1/2" NPSM brass shank with filter screen
- Geberit Commander™ software compatible
- Mounting hardware included
- 12 volt AC transformer required (order separately)

#### OPTIONAL ACCESSORIES

- 8" C-C Trim cover plate
- Mechanical mixing valve - below deck
- Thermostatic mixing valve
- Single use plug-in transformer
- Multi-use hardwire transformer

#### PERFORMANCE SPECIFICATION

- Rated Operating Pressure: 20-125 PSI
- Rated Operating Temperature: 40-140° F

#### WARRANTY

- 5-Year Limited Faucet Warranty
- 3-Year Limited Electronics and Solenoid Warranty
- 1-Year Limited Finish Warranty

#### COMPLIANT TO

- ASME A112.18.1M
- CSA B125
- ADA

|   |  |
|---|--|
| Job Name                                    | _____  |
| Item Number                                 | _____  |
| Section/Tag                                 | _____  |
| Model Specified                             | _____  |
| Architect                                   | _____  |
| Engineer                                    | _____  |
| Contractor                                  | _____  |
| <input type="checkbox"/> Submitted as Shown | <input type="checkbox"/> Submitted with Variations |
| Date  | _____  |

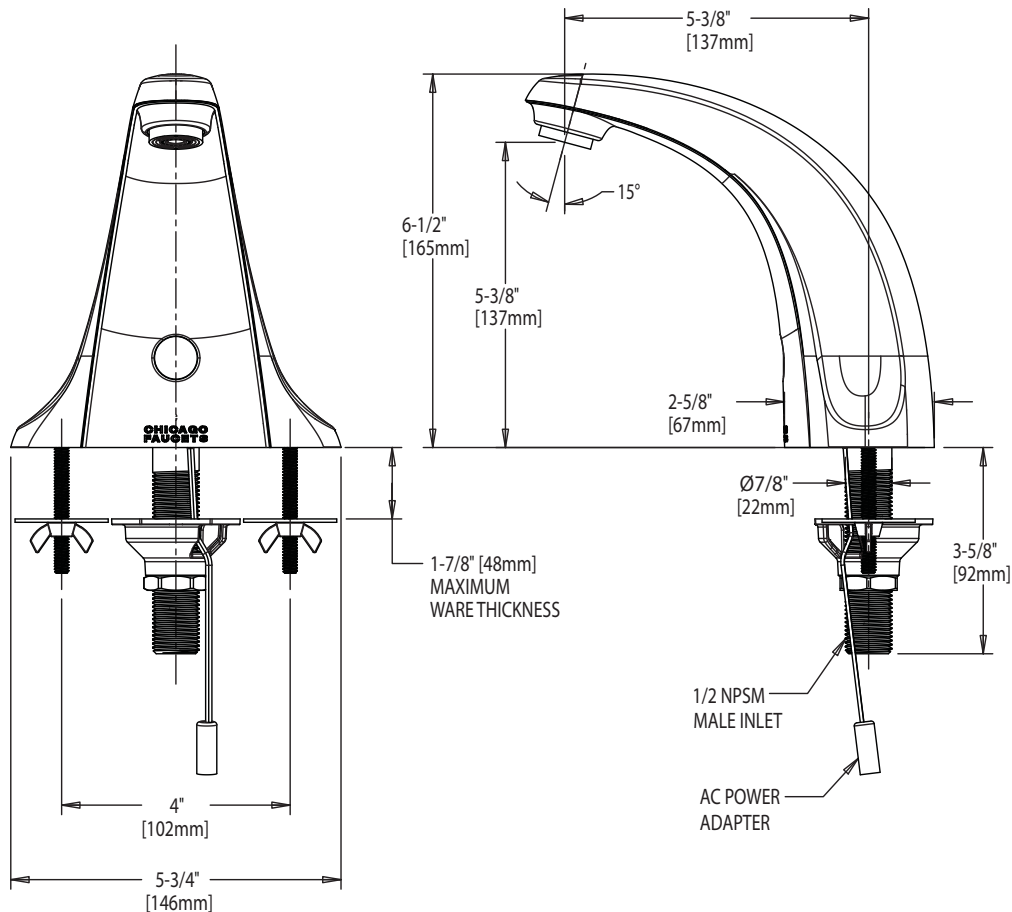


# 116.706.21.1

## E-Tronic™ 40 Deck Mounted 4" Centerset Lavatory Faucet - AC

### ARCHITECT/ENGINEER SPECIFICATION

Chicago Faucets No. 116.706.21.1, Polished chrome plated metal construction. Metal spout with .5 GPM vandal resistant spray outlet. Multiple field adjustable modes and ranges. Above deck hermetically sealed electronics module and solenoid with filter screen. 1/2" NPSM brass shank with filter screen. Geberit Commander™ software compatible. Mounting hardware included. 12 volt AC transformer required (order separately). This product meets ADA requirements and is tested and certified to industry standards: ASME A112.18.1 and CSA B125.



### OPERATION AND MAINTENANCE

Installation should be in accordance with local plumbing codes. Flush all pipes thoroughly before installation. After installation, remove spout outlet or flow control and flush faucet thoroughly to clear any debris. Care should be taken when cleaning this product. Do not use abrasive cleaners, chemicals or solvents as they can result in surface damage. Use mild soap and warm water for cleaning and protecting the life of Chicago Faucet products. For specific operation and maintenance refer to the installation instructions and repair parts documents that are located at [www.chicagofaucets.com](http://www.chicagofaucets.com).

Chicago Faucets, member of the Geberit Group, is the leading brand of commercial faucets and fittings in the United States, offering a complete range of products for schools, laboratories, hospitals, office buildings, food service, airports and sport facilities. Call 1.800.TECTRUE or 1.847.803.5000 Option 1 for installation or other technical assistance.