
ALESSANDRIA® Owner's Manual

READ AND SAVE THESE INSTRUCTIONS!

Safety and the proper operation of your Casablanca fan both require a thorough knowledge of the product and proper installation. Therefore, before attempting to install and operate your Casablanca fan, read this Owner's Manual completely and carefully. Retain this manual and other included documentation for future reference.

CAUTION: To avoid possible electrical shock, make certain that electricity is turned off at the circuit breaker or fuse box before attempting any installation procedure.

CONTENTS

INTRODUCTION	
Before You Start	2
Safe Use	2
MOUNTING RECOMMENDATIONS	
General Guidelines	3
Sloped Ceiling Installations	3
FAN INSTALLATION	
Getting Started	4
Crossbar Mounting Bracket Installation	4
Lag Screw Installation	5
Canopy Installation	5
Fan Preparation	6
Lightbulb Installation (uplight)	8
Hanging the Fan	8
Canopy Electrical Connections	9
Canopy Hatch Installation	9
Blade Installation	11
Light Fixture Installation	12
Glass Installation	14
PRIME•TOUCH® CONTROL INSTALLATION	
Control Bracket Installation	15
Remote Operation	16
Changing Transmitter Frequency Setting	16
TROUBLESHOOTING TIPS	17
CARE RECOMMENDATIONS	18
PRODUCT SPECIFICATIONS	18

INTRODUCTION BEFORE YOU START

- **CAUTION: RISK OF ELECTRICAL SHOCK!** Installation is to be in accordance with the National Electrical Code, ANSI/NFPA 70-1999, and local codes. If you are unfamiliar with the wiring codes, you should use a qualified electrician. To avoid overheating and possible damage to other equipment, do not install control to a receptacle, fluorescent light fixture, motor-operated appliance, or transformer-supplied appliance.
- This fan is designed to be installed on an existing electrical outlet box. The outlet box must be UL Listed for ceiling fan installations. If it is not, a new box must be installed. Casablanca extension downrods and Sloped Ceiling Adapters (SCAs) are available for sloped or high ceiling installations.
- This ceiling fan requires a grounded electrical supply of 120 VAC, 60 Hz and a minimum 15 amp circuit. The maximum current requirement for the fan with light fixture is 2.17 amps. The fan uses about .71 amp or 85 watts. Maximum light current is about 1.46 amps or 175 watts of lighting.
- Where wire nuts are employed, be sure all bare wires are within the connectors. When installing the canopy hatch, make sure all wires are within the canopy and that no wires are being pinched.
- **WARNING:** Do not bend the blade brackets when installing the brackets, balancing the blades, or cleaning the fan. Do not insert foreign objects in between the rotating fan blades.

Unpacking

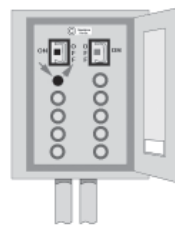
Before assembling and installing your ceiling fan, remove all parts from the shipping cartons and check them against the parts listed in the Parts Guide. Before discarding packaging materials, be certain that all parts have been removed.

**For best performance and for your warranty to be valid,
use only genuine Casablanca blades, light fixtures, and accessories.**

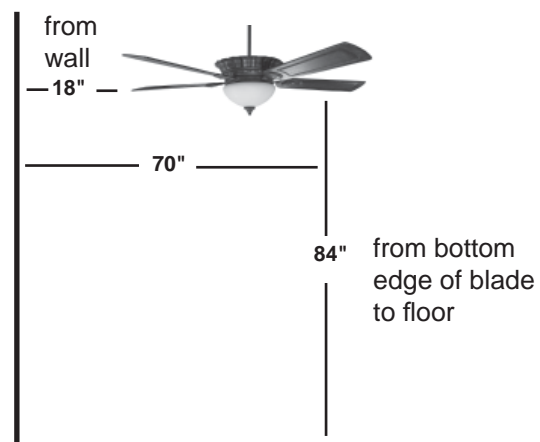
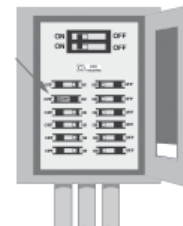
SAFE USE

- The blades in each pack are matched for equal weight to assure smooth fan operation. If more than one fan is being installed, be careful not to mix blades from different cartons.
- Inspect the contents of your carton for possible shipping or handling damage. If parts are missing or damaged, call 1-888-227-2178.
- It is always a good idea to have an assistant to help with the installation.
- When cleaning, painting, or working near your fan, be very careful of the fan and blades. Always turn the power OFF to the ceiling fan before working on it or replacing lightbulbs.
- Never insert anything into the path of the fan blades while the fan is in operation.
- Never install a fan over a pool or spa.
- Never operate a fan that has been damaged in any way. For assistance in obtaining service, call Casablanca Fan Company at 1-888-227-2178 or contact your local authorized Casablanca dealer.

Fuse Box
(Remove fuse for the circuit you will be working on)



Circuit Breaker
(Trip breaker for the circuit you will be working on)



Dimensions indicated are the minimum allowable for proper installation.



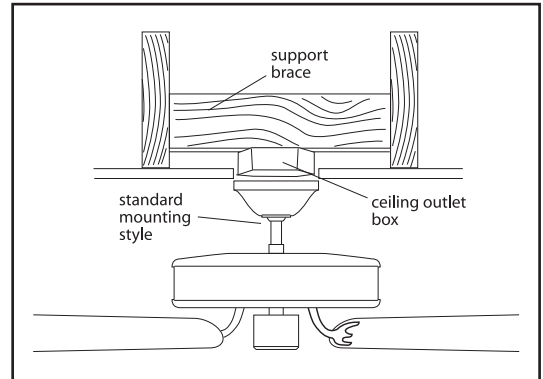
MOUNTING RECOMMENDATIONS GENERAL GUIDELINES

Before mounting your Casablanca fan, read the following recommendations. The location of the fan, air circulation, and fan size are all important factors to consider before installation.

Location

Ceiling fans have practical uses in almost every room in your home. We suggest you follow these mounting recommendations as you decide where to install your Casablanca fan.

- For safety reasons, the fan blades must be a minimum of 8' above the floor.
- Do not locate the fan in a doorway or above a swinging door.
- In bedrooms, fans work best when mounted above the foot of the bed.
- Over pool tables, be sure to provide plenty of clearance to avoid damage from pool cues.
- In kitchens, allow for open cupboard doors to clear the fan blades.
- Do not install a fan close to or over a pool or spa. High humidity combined with corrosive gases will destroy the finish and warp the blades.



Fan Size

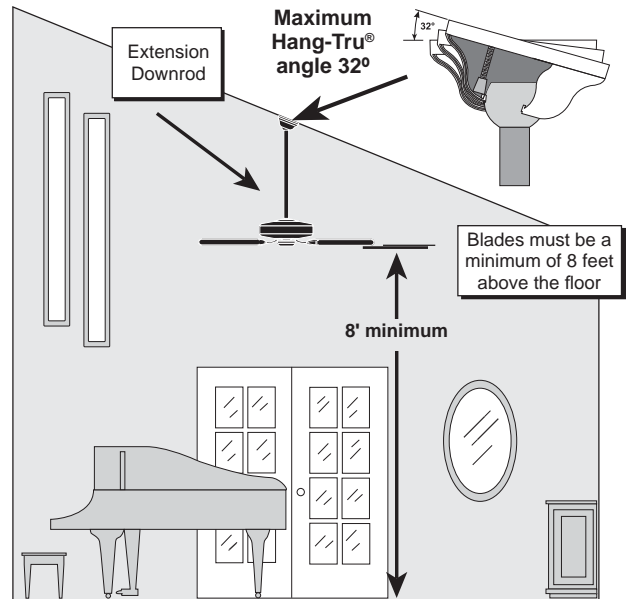
Variable fan speed capability permits the use of a full-size 52" fan even in smaller rooms. For very large rooms, two fans may be needed.

SLOPED CEILING INSTALLATIONS

SUGGESTED EXTENSION DOWNROD LENGTHS	
Ceiling Height	Downrod Length
8' 0"	5"
8' 6"	5"
9' 0"	12"
9' 6"	12"
10' 0"	18"
11' 0"	24"
12' 0"	36"
13' 0"	48"
14' 0"	60"

When to Use an Extension Downrod

For optimum performance and appearance, an extension downrod should be used with your Casablanca fan when installing on high (cathedral) ceilings or sloped ceilings. Casablanca offers standard downrods in increments of 6" up to 60". See your Authorized Casablanca Dealer for details.



NOTE: The fan may wobble or vibrate if pole length is not long enough and inside blade is too close to downslope or side wall. Using a longer downrod will usually solve the problem.

Calculation of Ceiling Angle

Use the tear-off *Ceiling Angle Template* card inserted in this manual. It provides you with a simple "go" or "no go" for installing your fan on a sloped ceiling.

EXAMPLE 1

This slope is less than 32°. It is OK to install your fan.

EXAMPLE 2

This slope is 32°. This is the maximum slope that will allow the fan to hang straight down. It is OK to install your fan.

EXAMPLE 3

This slope is more than 32°. Your fan will not hang straight down. Contact your local Authorized Casablanca Dealer to purchase a "Sloped Ceiling Adapter."

FAN INSTALLATION GETTING STARTED

Installing a New Ceiling Fixture Outlet Box

If you do not have an existing fixture located where you wish to place your Casablanca fan, an approved ceiling fixture outlet box must be installed and wired.

WARNING!

To reduce the risk of fire, electrical shock, or personal injury, mount to outlet box marked "Acceptable Fan Support of 22.7 kg (50 lbs.) Or less" using the mounting hardware provided with the outlet box.

Using Existing Ceiling Fixture Outlet Box

After turning the power OFF at its source (either the circuit breaker or fuse box), lower the old fixture and disconnect the wiring. Check the ceiling fixture outlet box to be sure it is marked "Approved for Ceiling Fan Mounting." If it is not, a new box must be installed.

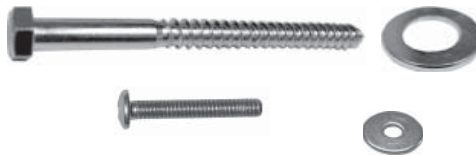
Note: The weight of this fan is 29 pounds.

CROSSBAR MOUNTING BRACKET INSTALLATION

CEILING HARDWARE (not to scale)



Crossbar Mounting Bracket



Lag Screw and Washer (1)
1" x 8-32 Roundhead Screws and Washers (2)



Wire Nuts (4)

Note: After removing the old fixture, check the outlet box to ensure that it is supported by a joist or beam across its upper surface. If not, a 2 x 4 stud must be installed.

Step 1a. Remove the knockout plug in the center of the outlet box or drill a 1/2-inch hole for the lag screw to pass through. Then drill a 1/4-inch guide hole into the joist or beam to a depth of 3 inches.

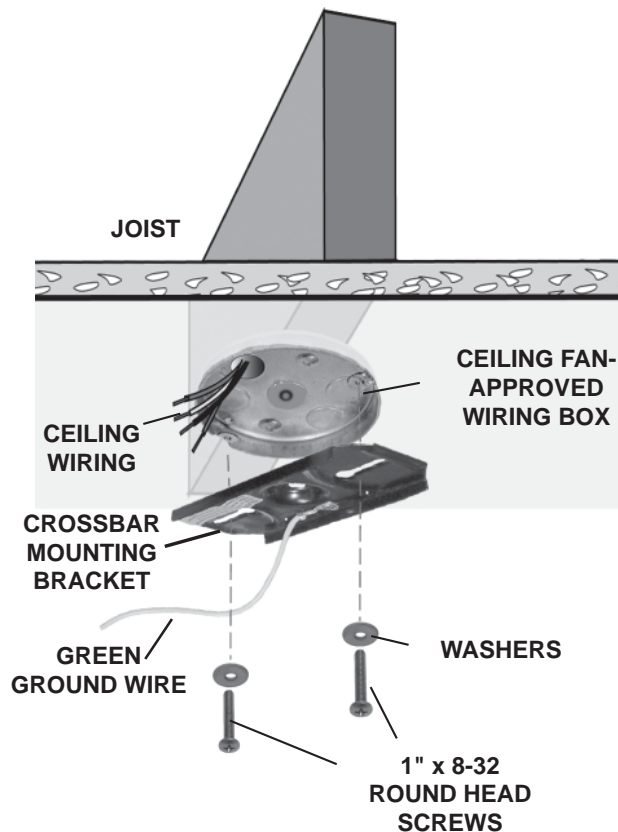
Step 1b. Place the wires from the ceiling outlet box to one side of the crossbar mounting bracket. Attach the bracket, with ground wire and ridges down, to the ceiling fixture outlet box with the mounting hardware included with the outlet box. Tighten the screws firmly by hand only, being careful not to bend the bracket by over tightening.

CAUTION:

To reduce the risk of personal injury, use only the mounting hardware provided with the approved outlet box to install the crossbar mounting bracket.

WARNING!

Support directly to building structure only.

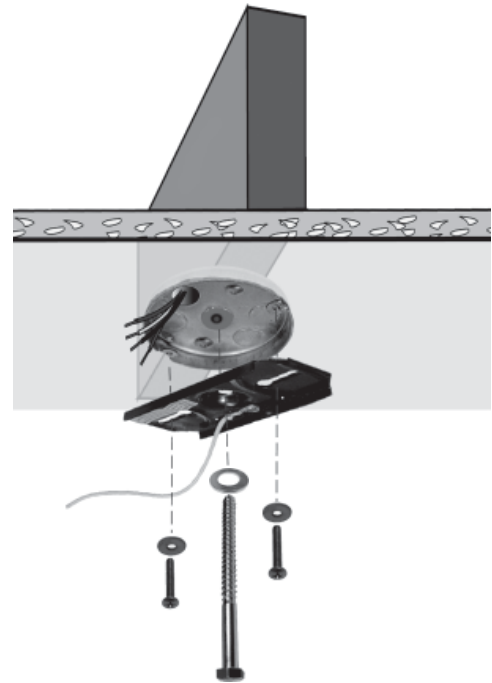




LAG SCREW INSTALLATION

NOTE: This step is required only under two conditions: If the fan weighs 36 lbs. or more or if the existing ceiling fixture outlet box needs to be modified for a ceiling fan application (for example, if the house is not new construction and you are replacing an existing light fixture). We recommend that the ceiling box be of sufficient capacity to support the weight of the fan and light fixture under any conditions. If in doubt whether you need to install the lag screw, consult a qualified electrician.

Step 2. With the large washer attached, pass the lag screw through the center hole of the crossbar mounting bracket and screw into the guide hole. Tighten until the outlet box is mounted firmly to the beam. This box must be secured to the ceiling firmly.



CANOPY INSTALLATION

CANOPY HARDWARE (not to scale)

Canopy Hatch



Canopy



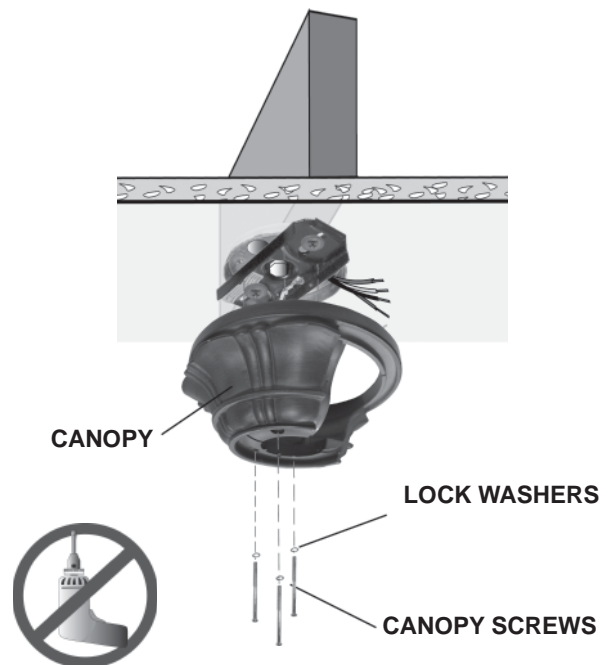
Canopy Screws and Washers (4)



Phillips Screwdriver

Step 3. Attach the canopy to the crossbar mounting bracket with three of the 8-32 x 2 1/2" long canopy screws and lock washers provided with your Casablanca fan. Tighten using the provided screwdriver until snug against the ceiling.

NOTE: On sloped ceilings, align the canopy opening with the top or peak of the room.



FAN PREPARATION

PERMA•LOCK™ HARDWARE AND TOOLS NEEDED (not to scale)



5" Perma•Lock™ Downrod and Ball Assembly



(5) 15-watt Uplight Bulbs



Pole Cover and Screws (3)



Canopy Ring



Allen Wrench

IMPORTANT SAFETY INFORMATION:

Before starting the installation of your ceiling fan, install the threaded downrod into the motor coupling and lock the assembly.

PAPER MOTOR SHIELD



Figure #1

Prepare for fan installation as follows:

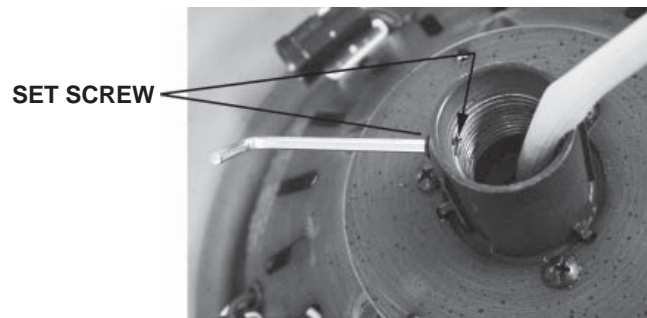
Step 4a. Remove the paper shield (Figure #1) from the motor.

Step 4b. Locate the set screw as shown in Figures #2. If the end of the set screw can be seen within the motor coupling as shown, you will need to unscrew the set screw so that the bolt does not remain in the path of the downrod.

Step 5a. Slide the pole cover on to the pole, then route the wires through the 5" Perma•Lock downrod and ball assembly as shown in Figures #3. Insert the downrod into the motor coupling and turn it clockwise until it stops turning, ensuring that the pole has bottomed out.

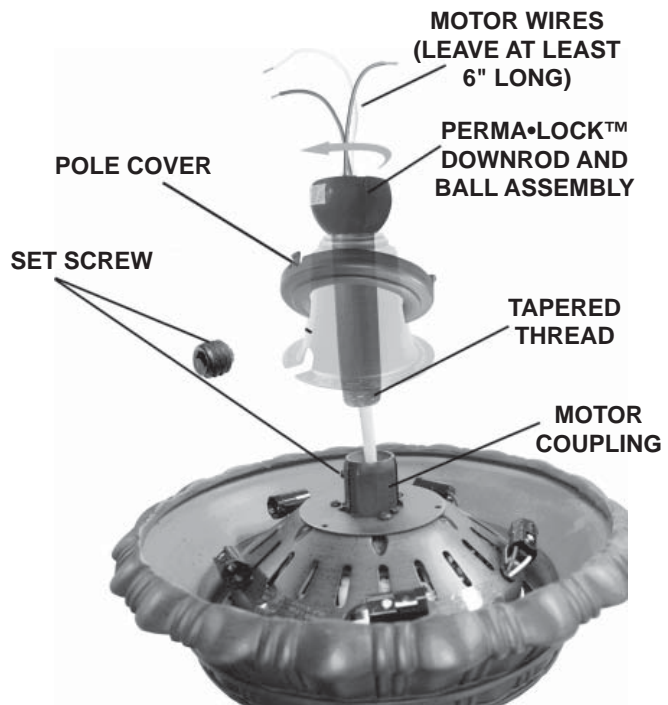
TIP: The downrod has a tapered thread that is designed to lock completely when installed correctly.

Step 5b. Before hanging the fan body you will need to slide the Canopy Ring, over the ends of the wires and over the end of the pole as shown in Figure #3.



SET SCREW

Figure #2



MOTOR WIRES (LEAVE AT LEAST 6" LONG)

PERMA•LOCK™ DOWNROD AND BALL ASSEMBLY

POLE COVER

SET SCREW

TAPERED THREAD

MOTOR COUPLING

Figure #3



Step 5c. Tighten the set screw with the Allen wrench as shown in Figure #4 to ensure safe operation of your fan. If it is tight enough, you should not be able to turn the downrod counterclockwise with your hands. If in doubt, tighten the set screw with the Allen wrench until you cannot turn it any further.

CAUTION: Failure to fully lock in the downrod before securely tightening the set screw may cause the fan to separate from the downrod and fall during normal operation.

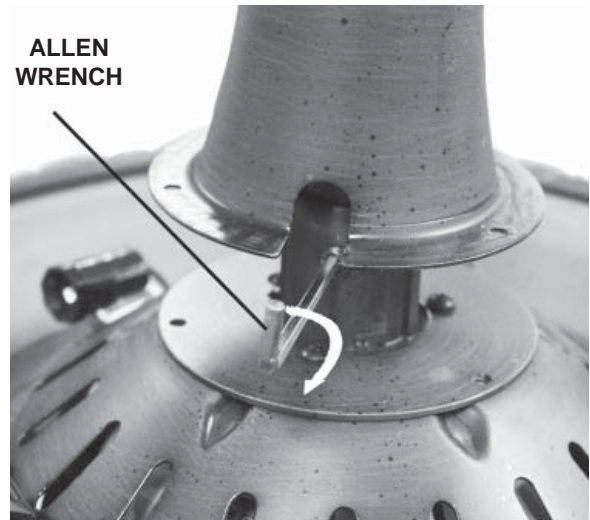


Figure #4

Step 5d. Align the three screw holes in the top housing with the three screw holes on the Pole cover and screw in the three screws attaching the Pole cover to the top of the fan as shown in Figure #5.

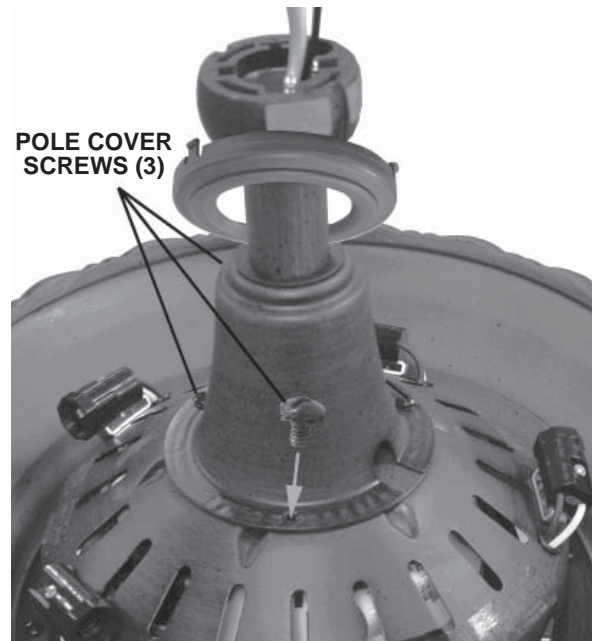


Figure #5

LIGHTBULB INSTALLATION (uplight)

Install Lightbulbs:

Step 6. Insert the five 15-watt lightbulbs for the uplight as shown in Figure #6.



(5) 15-watt
Uplight Bulbs

NOTE: When replacing these lightbulbs, be sure to use only 15-watt maximum.

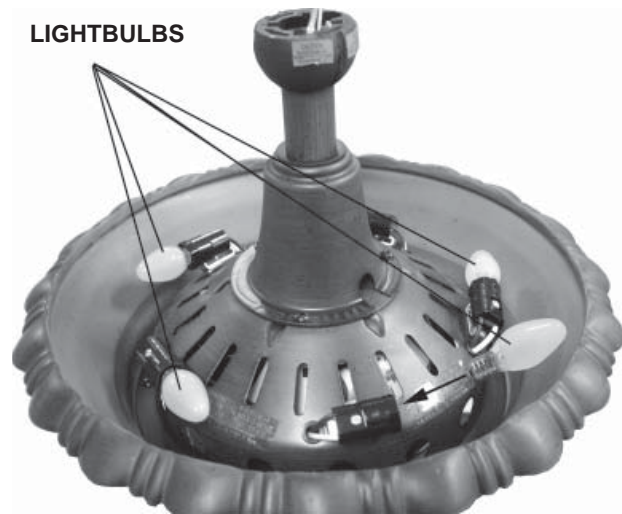


Figure #6

HANGING THE FAN

Step 7a. To hang the fan body in the canopy, hold the fan body firmly and insert the ball into the canopy opening. Check that no wires are pinched. Rotate the fan body until the slot in the ball fits into the pin opposite the canopy opening.

Step 7b. Trim excess motor wires, leaving at least 6 inches above the downrod. Strip 1/2-inch insulation from the end of each wire using a wire stripper (available at your local hardware store).

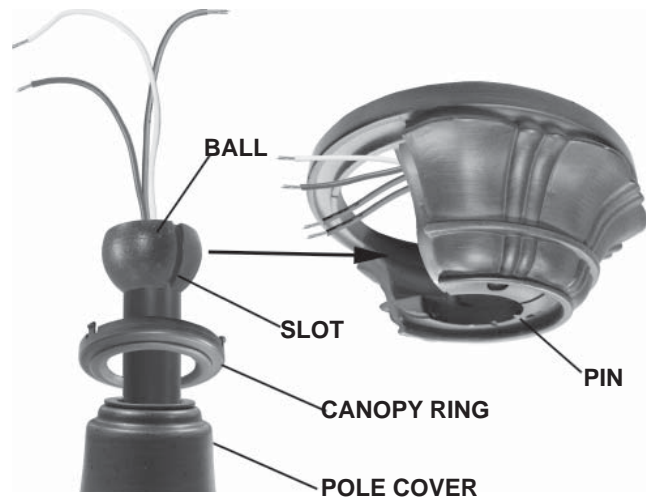


Figure #7



CANOPY ELECTRICAL CONNECTIONS

Step 8. Attach the fan wires to the ceiling fixture outlet box wiring by placing the bare ends of the wires side by side and then securing with a wire nut. Test that the connection is secure by pulling on the wire nut. Connect in this order:

- **GREEN** leads from mounting plate and downrod assembly of fan to **GROUND** conductor of power source. Secure with wire nut.
- **WHITE** wire from fan to white **NEUTRAL** wire in ceiling fixture outlet box. Secure with wire nut.
- **BLACK** power wire from fan to **BLACK** power wire in ceiling outlet box. Secure with wire nut.

After making the wire connections, the wires should be spread apart with the grounded conductor and the equipment-grounding conductor on one side of the outlet box and the ungrounded conductor on the other side of the box. The splices after being made should be turned upward and pushed carefully into the outlet box.

NOTE: If the color of your ceiling wires differs from that described, consult an electrician.



CANOPY HATCH INSTALLATION

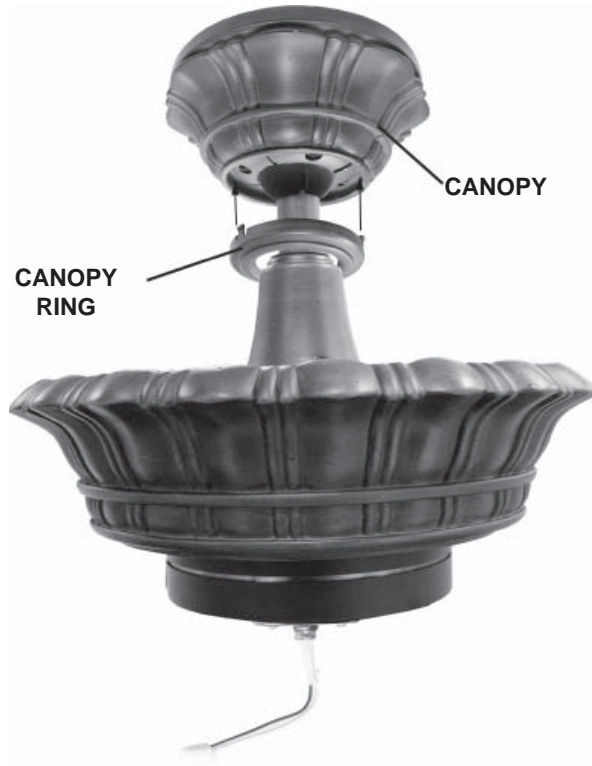
Step 9a. Tuck the wires into the canopy with the wire nuts pointed upwards, so that the WHITE and BLACK wires are on opposite sides of the canopy and all wires are clear of the canopy opening.

Step 9b. Install the canopy hatch with the last canopy screw and lock washer using the provided screwdriver. To do this, tilt the fan body away from the hatch opening. Tighten the screws firmly.

Step 9c. Straighten the fan, then check to ensure that there is no movement between the canopy and the ceiling or the Perma•Lock™ downrod and the ball assembly.



Step 9d. Locate and lift up the canopy ring and then snap the canopy ring onto the canopy.





BLADE INSTALLATION

BLADE HARDWARE (not to scale)



Attach Blade Irons

Step 10. Attach blade to bladeholder by first pressing the blade badge onto the blade, then attaching the bladeholder using the four blade screws provided. Using the provided screwdriver, tighten securely *by hand only* until the screws are inserted to the recessed point of the blade irons. Repeat for each blade assembly.

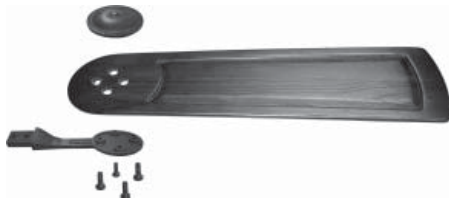


Figure #1

Blade Installation

Step 11. Attach the blade/blade holder assembly to the blade ring by using two blade holder screws for each blade as shown in Figure #2. Insert the end of the bladeholder into the slot on the blade ring. Install the screws one by one using the provided screwdriver. Tighten securely *by hand only*. Repeat for each blade/bladeholder assembly.

BLADEHOLDER SCREWS

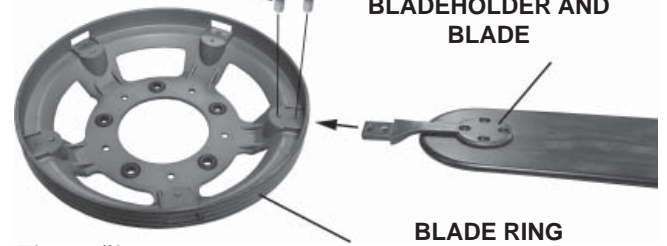


Figure #2

Attach Blade Ring

Step 12a. Once all five blades have been assembled and installed onto the blade ring as shown in Figure #3, install the blade ring assembly onto the fan body.

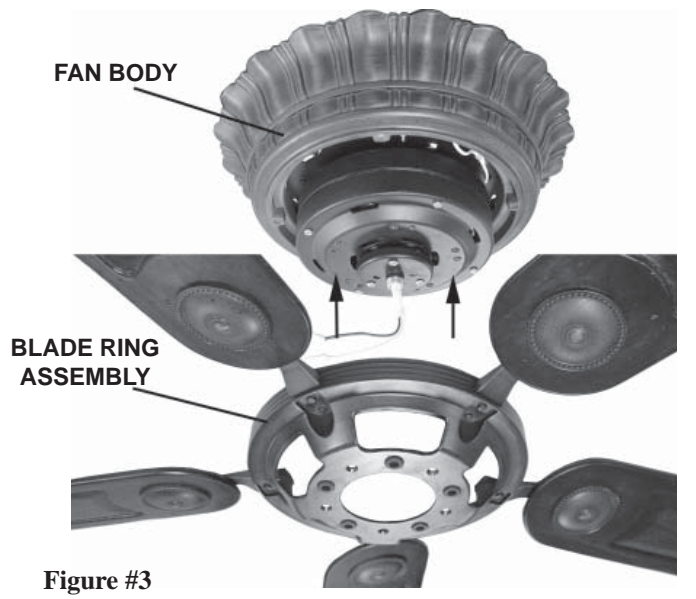


Figure #3

Step 12b. Align the five mounting holes with the rubber grommet on the blade ring assembly as shown in Figure #4 with the holes on the motor. Using the blade ring mounting screws attach the blade ring assembly to the motor, inserting the screws one by one using the provided screwdriver and tightening securely *by hand only*. Repeat for each screw.

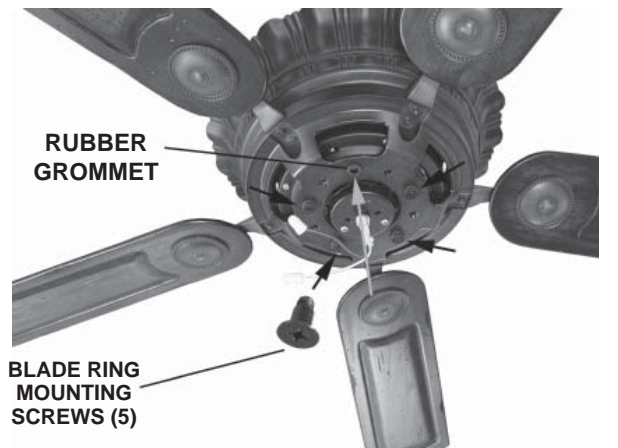


Figure #4



LIGHT FIXTURE INSTALLATION

HARDWARE (not to scale)



Light Fixture



Light Cover Board



Light Fixture Screws (3)



Phillips
Screwdriver

Light Assembly Installation

Step 13a. Locate the three screws on the light kit mounting plate and loosen them, as shown in Figure #1. Route the wires from the bottom of the fan through the hole in the center of the light fixture. Then place the three key holes over the three screws and rotate the light fixture clockwise, as shown in Figure #2. Tighten the three screws with the provided screwdriver.

LOOSEN
SCREWS

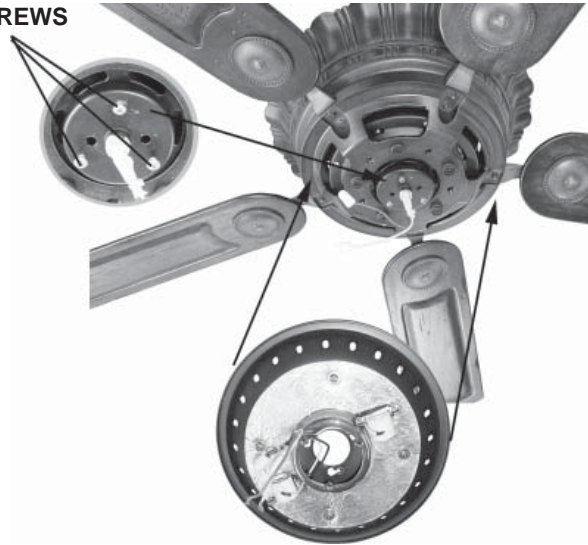


Figure #1

SCREWS IN
KEY HOLES



Figure #2



Step 13b. Connect the wires of the motor to the wires of the light fixture. Connect the **BLUE** wire from the motor to the **BLUE** wire of the light kit and connect the two **WHITE** wires together, as shown in Figure #3. Secure the connection using the ceramic wire nuts.

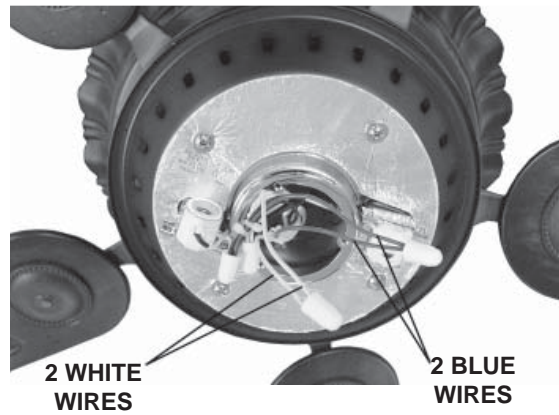


Figure #3

Step 13c. Carefully tuck the wires so they do not get pinched as shown in Figure #4. Attach the light cover board to the bottom of the light fixture with the provided light fixture screws and screwdriver, as shown in Figure #5.



Figure #4

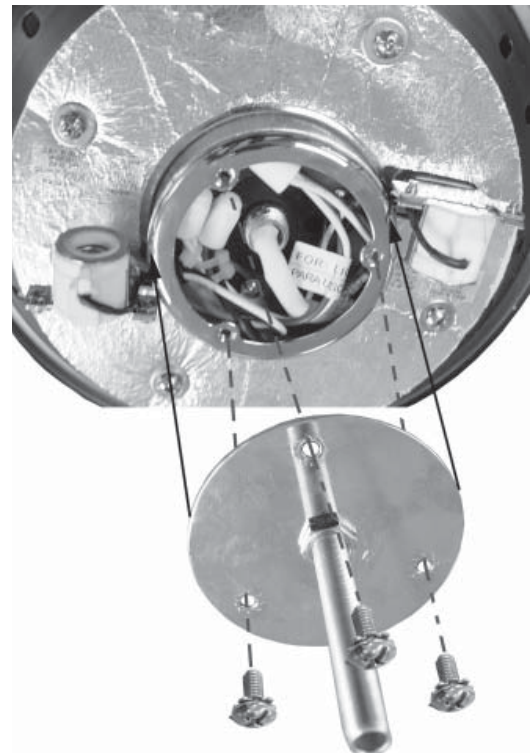


Figure #5

GLASS INSTALLATION

HARDWARE (not to scale)



Glass Shade



Finial



(2) 50-watt
Halogen Bulbs

Install Halogen Bulbs

Step 14. Screw the two bulbs into the light fixture as shown in Figure #1.

IMPORTANT! When installing a halogen bulb, carefully cut off the end of the plastic sleeve the bulb comes in and hold the bulb by the plastic sleeve to screw it into the socket.

NOTE: When replacing the bulbs, be sure to use only 50-watt maximum.

Glass Installation

Step 15a. Insert the threaded rod through the hole in the glass shade, as shown in Figure #2.

Step 15b. Thread the finial onto the threaded rod. Tighten securely, as shown in Figure #3.

CAUTION: Overtightening the finial can cause the glass to break.

NOTE: In compliance with US Federal Energy Regulations, this ceiling fan contains a device that restricts the light kit to a maximum of 190 watts. Exceeding that limit or the marked limit on this product may result in a fire hazard or improper operation.



Figure #1

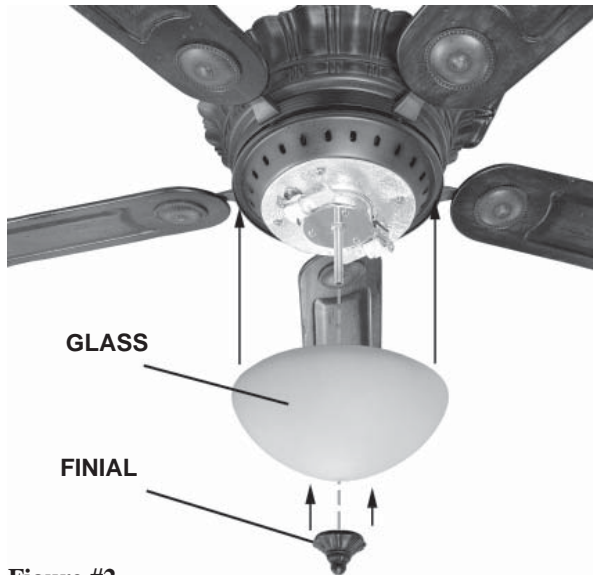


Figure #2



Figure #3



PRIME•TOUCH® W-505 CONTROL INSTALLATION

HARDWARE (not to scale)

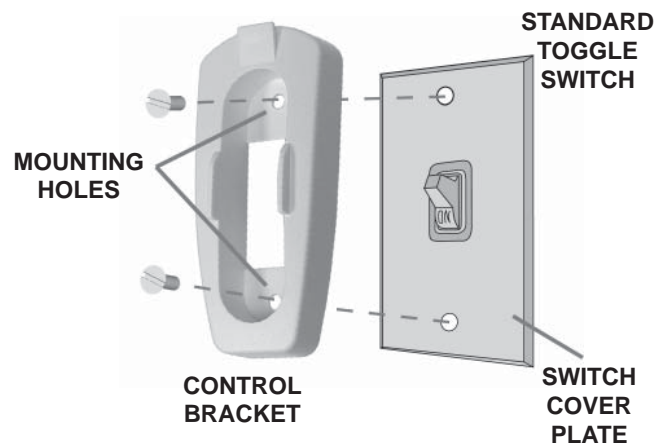


CONTROL BRACKET INSTALLATION

SAFETY FIRST: To reduce the risk of electrical shock, this fan must be installed with an isolating wall control/switch. CAUTION! Do not use with wall dimmer.

Standard Toggle Light Switch

- Remove the two screws holding the switch cover plate. Do not remove the cover plate.
- Orient the control bracket as shown and line up the two inner mounting holes with those on the switch.
- Insert screws and tighten using the provided screwdriver.

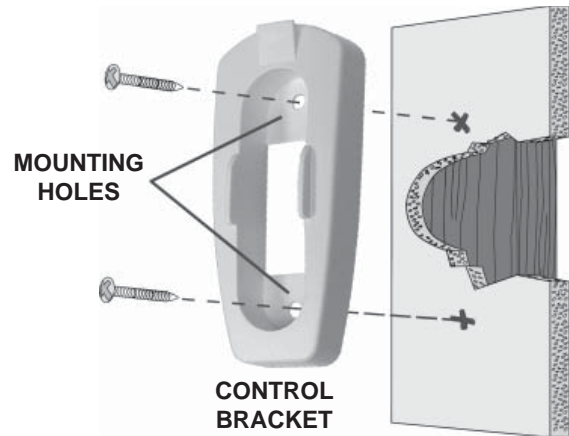


CAUTION! Do not use with wall dimmer or rocker switch.

WARNING! To reduce the risk of fire or electric shock, do not use this fan with any solid state speed control device. Use only the control provided with this fan.

Wall Installation

- Locate a 2 x 4 wall stud in a convenient location.
- Orient the control bracket as shown over the 2x4 stud.
- Use the one-inch wood screws in the inner mounting holes. Insert and tighten the screws using the provided screwdriver.



NOTE: The wall anchors and 6-32 x 1" screws may be used in situations where mounting to a stud is not possible. Use the inner mounting holes. After securing the anchor, discard the anchor's pointed screws and use the supplied 6-32 decor ovalhead screws.

NOTICE: Changes or modifications not expressly approved in writing by Casablanca Fan Company may void the user's authority to operate this equipment.

This device complies with RSS-210 of Industry Canada. Operation is subject to the following two conditions: (1) This device may not cause interference, and (2) this device must accept any interference, including interference that may cause undesired operation of the device.

REMOTE OPERATION

Fan Control

To start the fan, press the appropriate speed button to run the fan at the desired speed.

• = LOW speed •• = MED speed ••• = HIGH speed

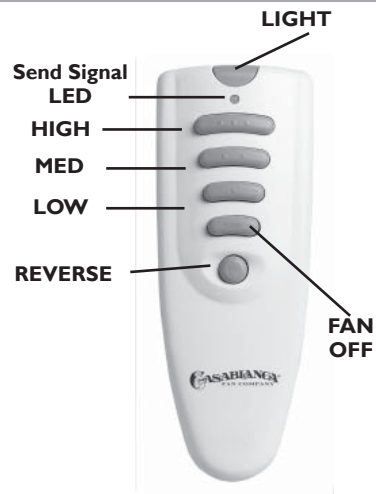
To turn off the fan, press the FAN OFF button.

Airflow Direction

To reverse the airflow, press the REVERSE button. REVERSE operates at any speed, whether the fan is on or off. The fan returns to its set speed after reversing.

Light Control

Turn the light on or off independently from the fan by pressing the LIGHT button. If you press the button for more than 0.7 seconds, it becomes a dimmer. The light varies from “bright” to “dim” over approximately 8 seconds. If you continue to hold the LIGHT button, this sequence will reverse when the light reaches the brightest or dimmest level. Release the button when the desired level is reached.



CHANGING TRANSMITTER FREQUENCY SETTING

Note: All fans leave the factory set to “0000.”

You will only have to change the dip switch settings in the remote if you are using more than one fan in the same area and want to control them separately.

Step 1. At the circuit breaker or fuse box, turn the power off for the fan you want to change.

Step 2. Open the battery door of the Prime•Touch control and remove the batteries.

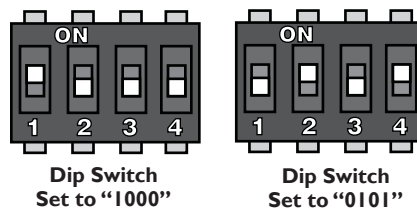
Step 3. Change the dip switch settings, assuring that they are different from the previously installed Prime•Touch fan.

Step 4. Replace the batteries and the battery door on the control.

Step 5. At the circuit breaker or fuse box, turn the power back on for the fan whose frequency you are changing.

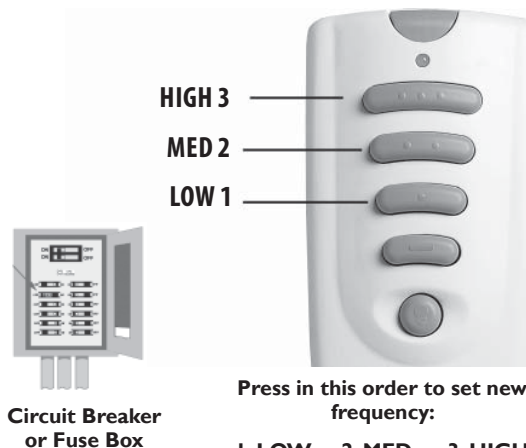
Step 6. Within 20 seconds of restoring power, push the HIGH, MED, and LOW buttons (in that order).

Note: You may want to label your remote controls to assure you do not mix them up.



WARNING!

Do not turn the power off at the circuit breaker, then back on, for a previously installed Prime•Touch fan, as you may inadvertently change the frequency settings for it as well.





TROUBLESHOOTING TIPS

Please refer to this troubleshooting guide before requesting service or contacting your dealer for assistance.

PROBLEM	POSSIBLE REMEDIES
Fan will not start	<ul style="list-style-type: none"> • Check the main circuit fuses, circuit breakers, and wall switch position. Check all wire connections. Make sure the power is turned off during this inspection. • The battery is weak. Install a fresh battery. • The fan receiver is defective. Replace the fan receiver. • Check the frequency setting: Turn the power off at the circuit breaker for the fan that is not functioning only. Check that the jumper switches match in both the receiver and the transmitter.
Fan wobbles or shakes excessively	<ul style="list-style-type: none"> • Be sure the canopy pin is set properly into the slot on the ball. • Check that the bladeholders have not been bent during installation and that the blades are balanced. • The hanger bracket and/or the ceiling outlet are attached too loosely. Make sure the hanger bracket is attached tightly to the ceiling outlet box and the downrod assembly is secured firmly. • The downrod is attached to the downrod base too loosely. Make sure all the screws are securely tightened.
Fan is noisy during operation	<ul style="list-style-type: none"> • Check and tighten the light fixture retaining screws, glass shade screws, and lightbulbs. • Tighten the canopy screws and mounting plate assembly. Make sure the wire nuts inside the canopy and switch housing are not touching the metal parts and that they have not fallen off the wire splices. Tighten as necessary. • Tighten the blade holders to the flywheel (or Direct Drive motor) and the blades to the bladeholder screws. • Make sure all the screws in the motor housing are snug but not overly tight.
Fan does not run on low speed	<ul style="list-style-type: none"> • If fan is new, it may need to be "broken in." Run at high speed for several days.
Battery life is short	<ul style="list-style-type: none"> • Replace with alkaline batteries.
Light works, but fan does not work	<ul style="list-style-type: none"> • The fan wires are not connected properly.
Fan and light run only on full speed	<ul style="list-style-type: none"> • The fan receiver is defective. Replace the fan receiver.
Fan is missing one speed	<ul style="list-style-type: none"> • The fan receiver is defective. Replace the fan receiver.
Fan does not change speed, but light works	<ul style="list-style-type: none"> • The fan receiver is defective. Replace the fan receiver.
Reverse does not work	<ul style="list-style-type: none"> • The fan receiver is defective. Replace the fan receiver.
Fan starts working by itself	<ul style="list-style-type: none"> • There is frequency interference.
Fan operates only when transmitter is close	<ul style="list-style-type: none"> • Check that antenna wire is not touching the metal plate.
Fan works, but light does not dim	<ul style="list-style-type: none"> • The fan receiver is defective. Replace the fan receiver.
Fan works, but light does not work	<ul style="list-style-type: none"> • The fan receiver is defective. Replace the fan receiver. • The light socket is broken. Replace the socket. • A lightbulb is defective. Replace the lightbulb.

NOTE: In compliance with US Federal Energy Regulations, this ceiling fan contains a device that restricts the light kit to a maximum of 190 watts. Exceeding that limit or the marked limit on this product may result in a fire hazard or improper operation.

CARE RECOMMENDATIONS

Fan Finishes

- For cleaning, a soft brush or lint-free cloth should be used to prevent scratching the finish.
- A vacuum cleaner brush nozzle can remove heavier dust.
- Surface smudges or an accumulation of dirt and dust can be removed easily using a mild detergent and slightly dampened soft cloth. An antistatic agent may be used, but *never use abrasive cleaning agents* as these will damage the finish.

Blades

- Wood-finish blades should be cleaned with a furniture polishing cloth. Occasionally, a light coat of furniture polish may be applied for added protection and luster.
- For painted and high-gloss blades, surface smudges or an accumulation of dirt and dust can be removed easily using a mild detergent and slightly dampened soft cloth. An antistatic agent may be used, but *never use abrasive cleaning agents* as these will damage the finish.
- Warning: To reduce the risk of personal injury, do not bend the blade brackets when installing the brackets, balancing the blades, or cleaning the fan. Do not insert foreign objects in between rotating fan blades.

No Need for Lubrication

- *Never lubricate this fan!* The precision motor at the heart of your Casablanca fan features sealed bearings that are lubricated for life.
- Do not attempt to oil the motor.

Changing Lightbulbs

- Be sure to turn the power to OFF at the wall switch or circuit breaker before changing lightbulbs.
- Replace bulbs with the same type as you removed from the light fixture.
- The maximum wattage rating for this fan's light kit is 100 watts for the light. *NOTE: In compliance with US Federal Energy Regulations, this ceiling fan contains a device that restricts the light kit to a maximum of 190 watts. Exceeding that limit or the marked limit on this product may result in a fire hazard or improper operation.*

**For questions or to locate the nearest Casablanca Authorized Service Center,
call toll-free 1-888-227-2178 or visit us on the Web at www.casablancafanco.com**

This device complies with RSS-210 of Industry Canada. Operation is subject to the following two conditions: (1) this device may not cause interference, and (2) this device must accept any interference, including interference that may cause undesired operation of the device.

1. This device complies with part 15 of the FCC Rules. Operation is subject to the following two conditions: (1) this device may not cause harmful interference, and (2) this device must accept any interference received, including interference that may cause undesired operation.

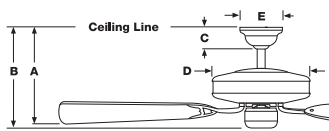
2. This equipment has been tested and found to comply with the limits for a Class B digital device, pursuant to Part 15 of the FCC Rules. These limits are designed to provide reasonable protection against harmful interference in a residential installation. This equipment generates, uses and can radiate radio frequency energy and, if not installed and used in accordance with the instructions, may cause harmful interference to radio communications. However there is no guarantee that interference will not occur in a particular installation. If this equipment does cause harmful interference to radio or television reception, which can be determined by turning the equipment off and on, the user is encouraged to try to correct the interference by one or more of the following measures: Reorient or relocate the receiving antenna, increase the separation between the equipment and receiver, connect the equipment into an outlet on a circuit different from that to which the receiver is connected. Consult the dealer or an experienced radio/TV technician for help. Note: Any changes or modifications to the transmitter or receiver not expressly approved by Casablanca Fan Company may void one's authority to operate this remote control.

PRODUCT SPECIFICATIONS

Model Name: Alessandria®
Model Number: C27GxxH

Dimensions:
A = 11.88"
B = 17.57"
C = 3"
D = 13.74"
E = 7"

NOTE: Dimension B includes light fixture and glass.



Weight: 29 lbs.

Motor: 172mm x 20mm Direct Drive™
Blade Span: 54"
Blade Pitch: 14°
No. of Blades: 5
Technology: Prime•Touch® W-505
Lightbulbs: (5) 15-watt C7 incandescent,
(2) 50-watt T4 halogen
Airflow: 6,000 cfm
Electricity Use*: 75 watts
Airflow Efficiency*: 80 cfm/watt

* Performance data is for fan only. No lighting wattage is included.