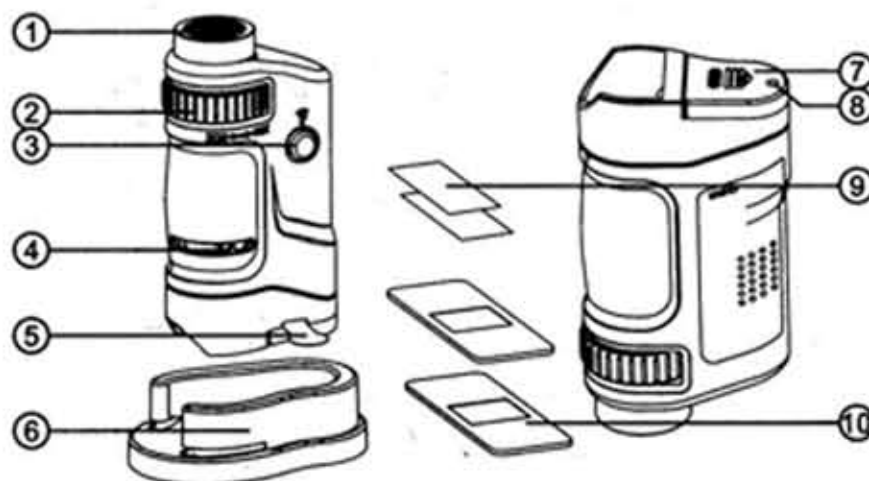


20-40X ZOOM MICROSCOPE

- ① Eyepiece
- ② Zoom Lever
- ③ LED On/Off Button
- ④ Focusing Wheel
- ⑤ Battery Insulate
- ⑥ Specimen Stage
- ⑦ Battery Door
- ⑧ Battery Door Screw
- ⑨ Specimen Slides Covers
- ⑩ Specimen Slide



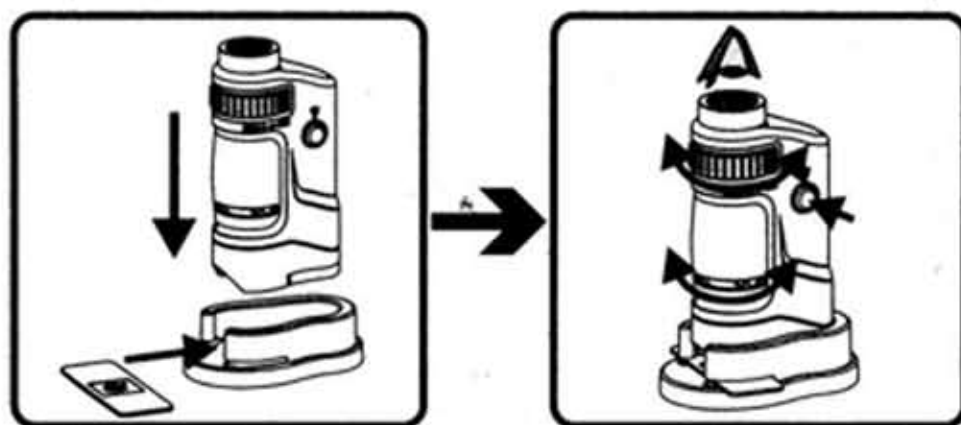
HOW TO USE

Getting Ready

Remove the Battery Insulate (5) by pulling it outward.

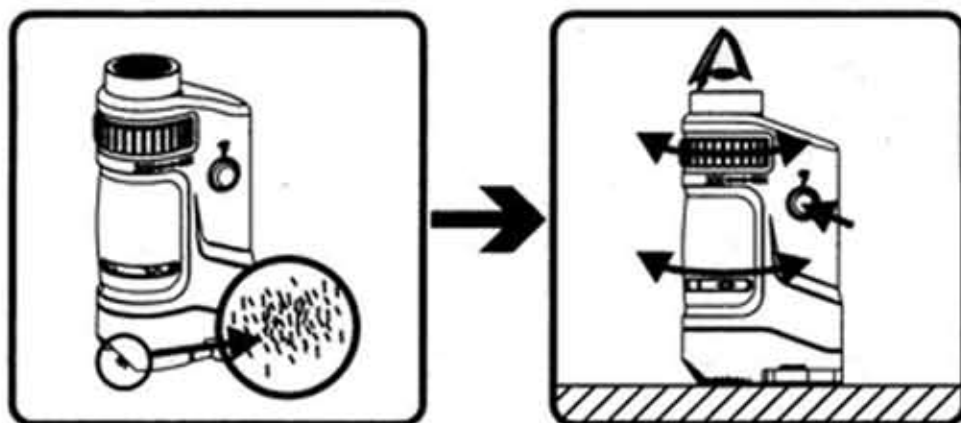
Observing with Specimen Stage (6)

1. Place the object of observation onto the Specimen Slide (10) and place a Specimen Slide Cover (9) on top of the object. Insert the Specimen Slide into the Specimen Stage.
2. Place the Microscope into the Specimen Stage and press the LED On/Off Button (3) and observe through the Eyepiece (1).
3. Slide the Zoom Lever to adjust the desired degree of magnification (from 20X to 40X).
4. Turn the Focusing Wheel (4) gradually until the image is clear and sharp.

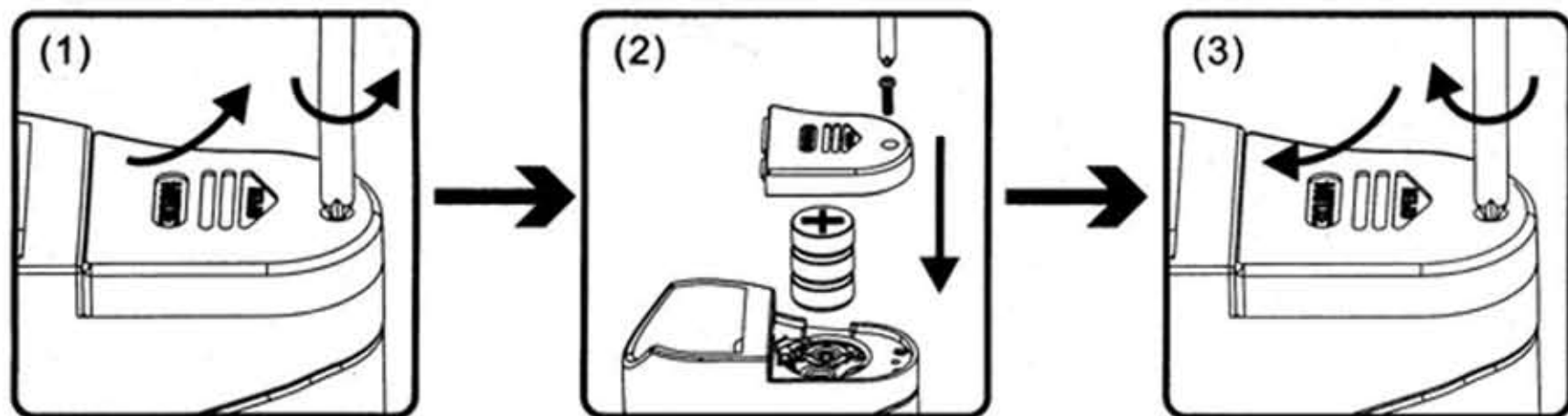


Observing without Specimen Stage

1. Place the microscope directly on top of the object of observation and press the LED On/Off Button and observe through the Eyepiece.
2. Slide the Zoom Lever to adjust the desired degree of magnification (from 20X to 40X).
3. Turn the Focusing Wheel (4) gradually until the image is clear and sharp.



BATTERY INSTALLATION



If the LED light becomes dim, it means that it's time to replace the batteries.

1. Unscrew the Battery Door Screw (8) with a screwdriver and remove the Battery Door (7) in the direction shown by the arrow.
2. Remove the used-up batteries and insert 3 pcs of fresh LR44 button cells into the battery compartment in the right polarity.
3. Close the Battery Door and tighten the Battery Door Screw with a screwdriver.