

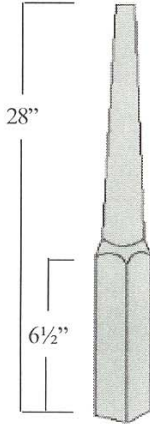
**CARDINAL GATES, INC.**  
*Mounting Kit Guide For Stairway Gates*

## No One Likes Screw Holes In fine Hardwood

Holes are permanent and can never be completely hidden. Cardinal Gates has designed wood clamps to avoid the use of screw holes when possible. The following will assist you in selecting the proper clamp kit for mounting your Cardinal stairway gates.

**If....**

Your Hinge Post  
**and**  
 Your Latch Post are  
**Square at the Bottom**  
**and Round at the Top**



**Order**

- 1- Square Clamp
- 3- Round Clamps

**If....**

Your Hinge Post  
**and**  
 Your Latch Post are  
**Square at the Bottom**  
**and Square at the Top**

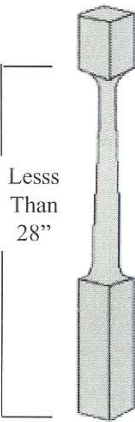


**Order**

- 4- Square Clamp

**If....**

Your Hinge Post  
**and**  
 Your Latch Post are  
**Square at the Bottom,**  
**Sqaure at the Top** and  
**Round in the Middle**



**Order**

- 3- Square Clamps
- 1- Round Clamp

**If....**

Your Hinge Post is  
**Square at the Bottom**  
**and Round at the Top**  
 and your latch is  
 mounting to **the wall**



**Order**

- 1 - SK-1 Kit

**If....**

Your Hinge is mount-  
 ing to **the wall**  
**and**  
 Your Latch is mount-  
 ing to a **Square Post**



**Order**

- 2- Square Clamps

**If....**

Your Hinge is mount-  
 ing to **the wall**  
**and**  
 Your Latch is mount-  
 ing to a **Round Post**



**Order**

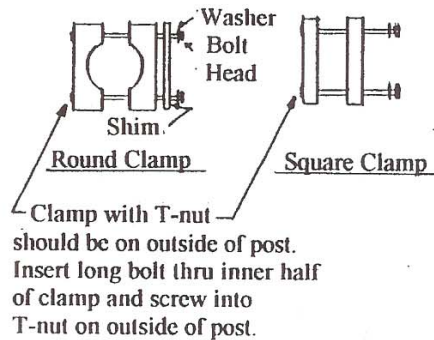
- 2- Round Clamps

**If....**

You are attempting to mount a Cardinal Gate to Wrought Iron

**Order**

- 1 - WIK Kit



We realize that other combinations exist.

We will try to assist you when possible by calling **770-252-4200**

Do not mount hinge bracket on drywall unless a stud is available. Gardinal Gates (Models SS-30A and MG-25) are designed to mount at angles so that a stud can be located in most cases.