

Breeza warm

Round White
Elongated White



Breeza Warm Key Features:

- 4 stage deodorizer
- Natural fragrance vent
- Gentle-closing seat and lid
- Anti-microbial surface
- Comfortable heated seat
- "Set & Forget" power save mode
- Easy one button controls
- Powered by standard GFCI wall outlet

Breeza warm Accessories

breeza™ filter

replaceable deodorizing cartridge



- Activated carbon filter
- Eliminates up to 95.8% of bathroom odors at the source
- Six months of continuous deodorizing action

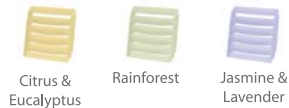
breeza™ vent

replaceable fragrance cartridge

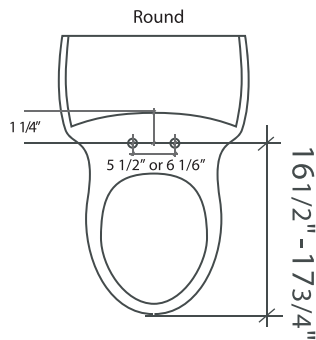
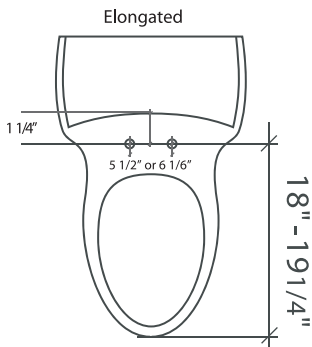


Breeza™ Vent is infused with natural extracts, providing a light, pleasant fragrance

Available Breeza™ Vent fragrances:



One month of continuous aromatic freshening per vent.



Features

Breeza warm

Features	
4 stage deodorizing system	✓
Body-activated smart sensor	✓
Ultra-quiet fan	✓
Replaceable activated-carbon filter	✓
Replaceable fragrance vent	✓
Gentle-closing seat & lid	✓
Anti-microbial seat & lid	✓
Stylized, contoured design	✓
Ergonomic seat	✓
Easy to read LED display	✓
Heated seat (adjustable temperature)	✓
Easy one button control panel	✓
"Set and Forget" power save mode	✓
Specifications	
Limited warranty	5 year
Seat temperature	Off / Low (97F) Mid (100F) High (104F)
Power cord length	4 feet
Rated power consumption	25W
Power supply	AC 120V 60Hz 58W
Battery life	N/A
Carbon filter life	6 months
Fragrance vent life	1 month
Product weight	4.6 lbs
Installation (typical time)	Less than 15 minutes
Colors & Sizes	
	White Biscuit
Round	BR60-RW
	Dimension
	15.1"W x 19.5"L x 2.9"H
	White Biscuit
Elongated	BR60-EW
	Dimension
	15.1"W x 20.0"L x 2.9"H
UL & cUL Certified (ORGZ.E244635)	

* Depends on usage

Seat Dimensions

Round: 15"W x 19"L x 2.9"H
Elongated: 15"W x 20"L x 2.9"H

