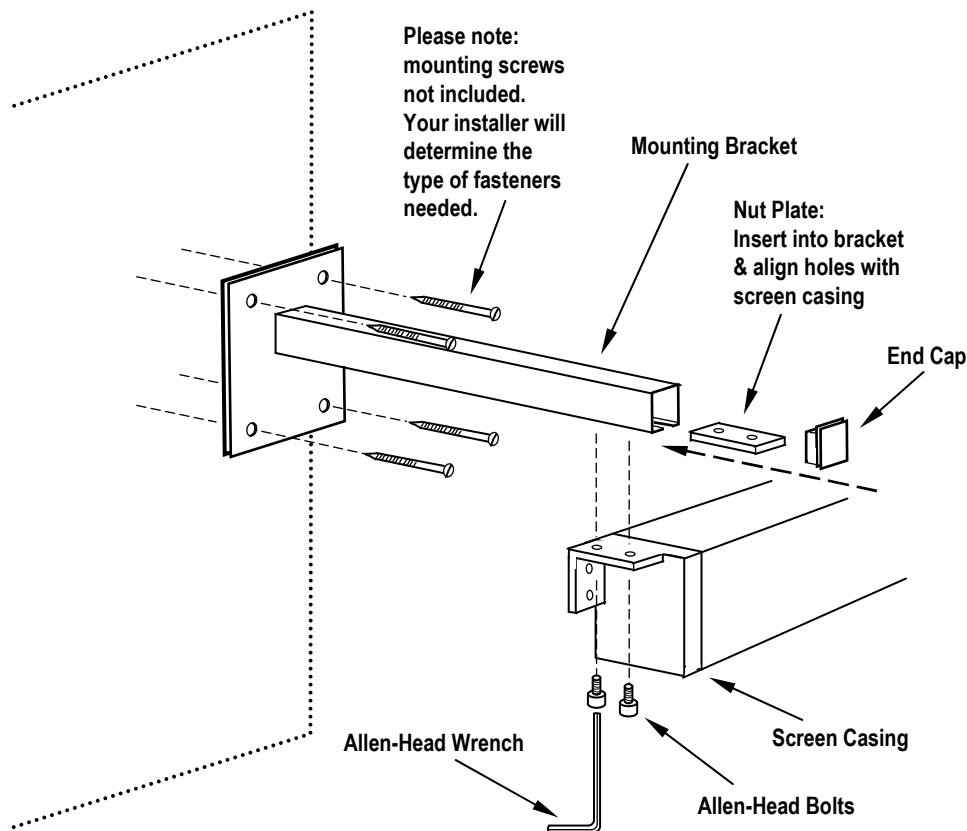


Installation & Operation Instructions

Electric Wall Projection Screens: 7088M 7000M 7022M

- **Thank you for choosing a Bretford Screen.**
- Bretford Screens with Matte White fabric are designed to give you a bright, sharp image from a wide variety of projectors.
- For your new electric screen, Bretford provides the **appropriate wall brackets** to attach your screen to the wall. If your screen is to be hung by any other method than indicated in these instructions, it must be adequately fixed, using suitable hardware.
- **Hardware / fixings** for attaching your screen to the wall or the ceiling are not included. Your installer has the responsibility to use the correct hardware.
- **Protect your new Screen** by keeping it rolled into the protective case when not in use. Always examine the surface for dust & dirt before retracting the fabric into the case. Carefully wipe clean with a soft cloth or duster.



Installation

- Locate your screen where the audience can best see it and where other furnishings in the room permit.
- Mount the screen so that the bottom of the fabric, when fully extended, is above the heads of the audience.
- Follow the installation instructions illustrated above.
- Bretford recommends using a qualified professional installer



BETFORD 11000 Seymour Avenue Franklin Park, IL 60131 P 800.521.9614 F 800.343.1779

www.bretford.com

#031-7074
10.04