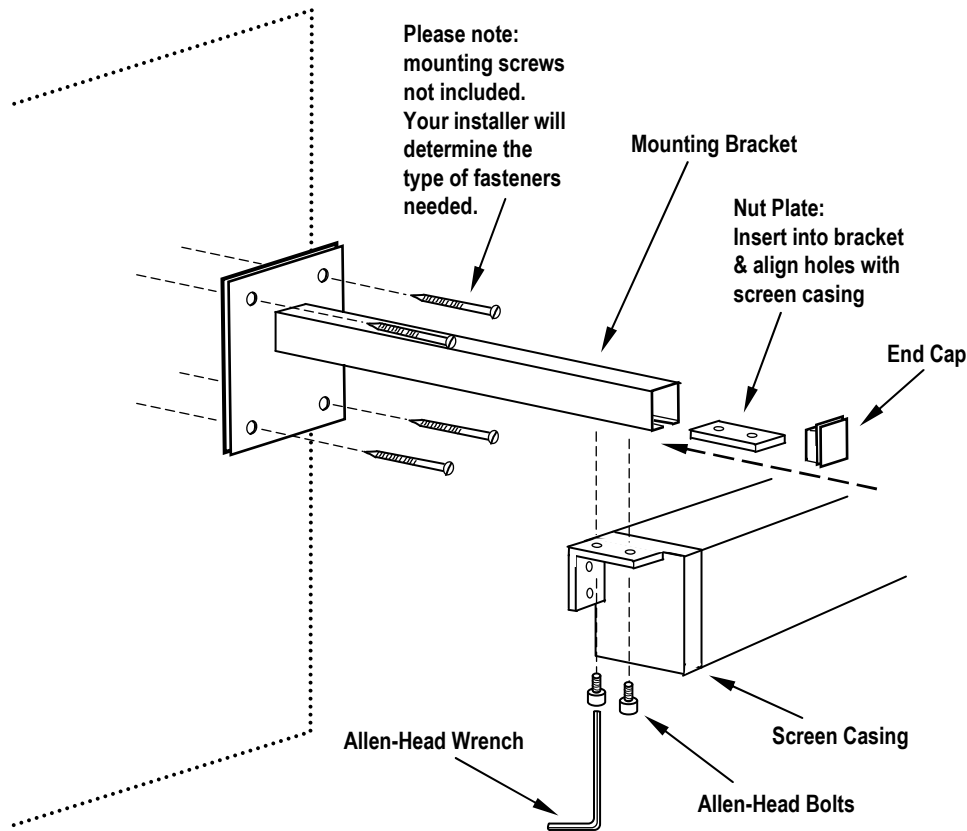


## Installation & Operation Instructions

### Large Manual Projection Screens: 5088M 5000M 5022M

- **Thank you for choosing a Bretford Screen.**
- Bretford Screens with Matte White fabric are designed to give you a bright, sharp image from a wide variety of projectors.
- For your new large screen, Bretford provides the **appropriate wall brackets** to attach your screen to the wall. If your screen is to be hung by any other method than indicated in these instructions, it must be adequately fixed, using suitable hardware.
- **Hardware / fixings** for attaching your screen to the wall or the ceiling are not included. Your installer has the responsibility to use the correct hardware.
- **Protect your new Screen** by keeping it rolled into the protective case when not in use. Always examine the surface for dust & dirt before retracting the fabric into the case. Carefully wipe clean with a soft cloth or duster.



### Installation

- Locate your screen where the audience can best see it and where other furnishings in the room permit.
- Mount the screen so that the bottom of the fabric, when fully extended, is above the heads of the audience.
- Follow the installation instructions illustrated above.
- Bretford recommends using a qualified professional installer

### Operation

- **To lower the fabric**, pull the screen down all the way - Hesitate - then allow the fabric to retract VERY SLOWLY until it locks in place.
- **To raise the fabric**, pull down on the pull bail, then raise quickly, like a window shade.
- **Do not allow the fabric to roll uncontrolled into the case or damage is sure to result.**



**BETFORD** 11000 Seymour Avenue Franklin Park, IL 60131 P 800.521.9614 F 800.343.1779

[www.bretford.com](http://www.bretford.com)

#031-7074  
10.04

