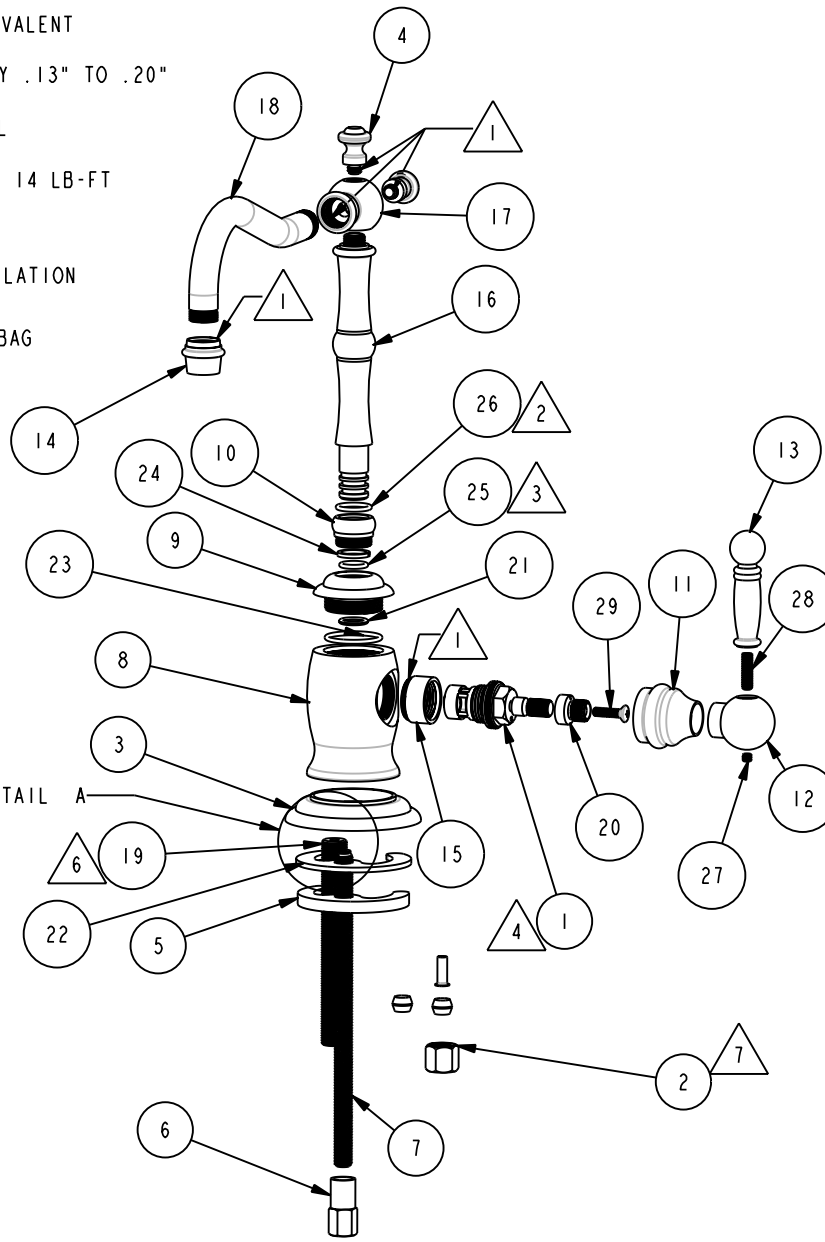
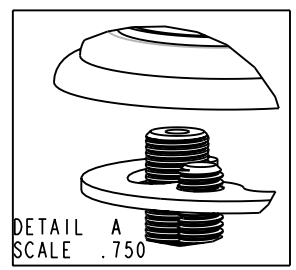


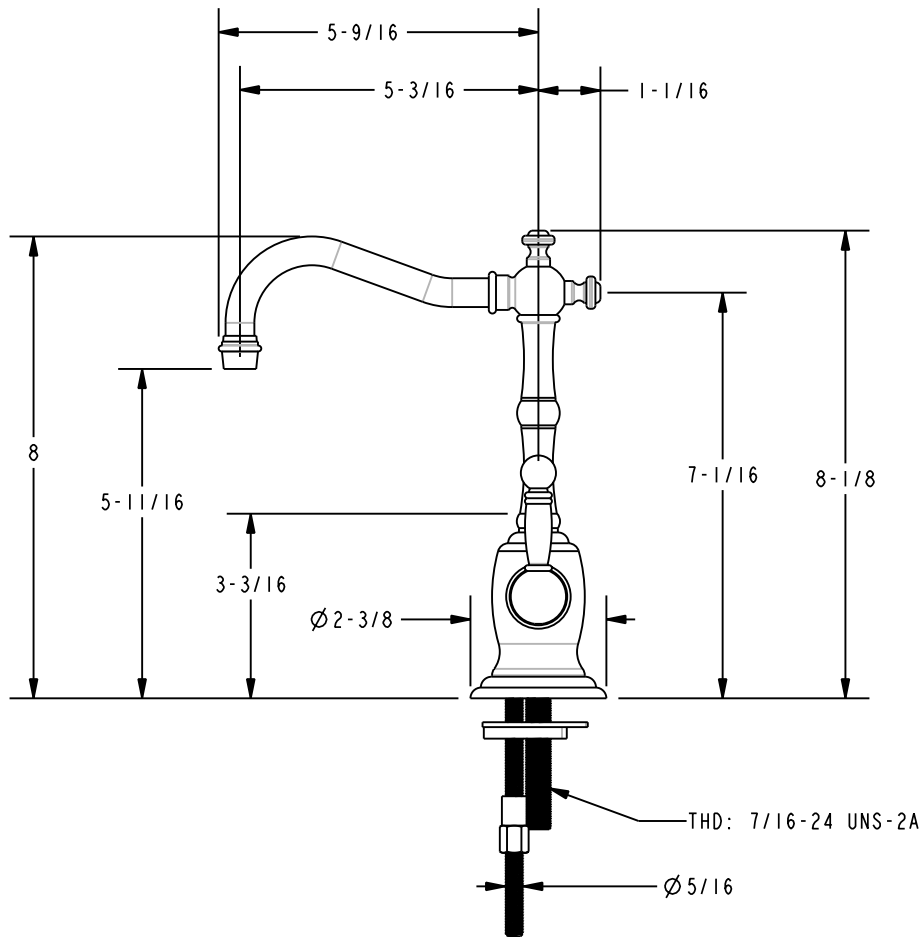
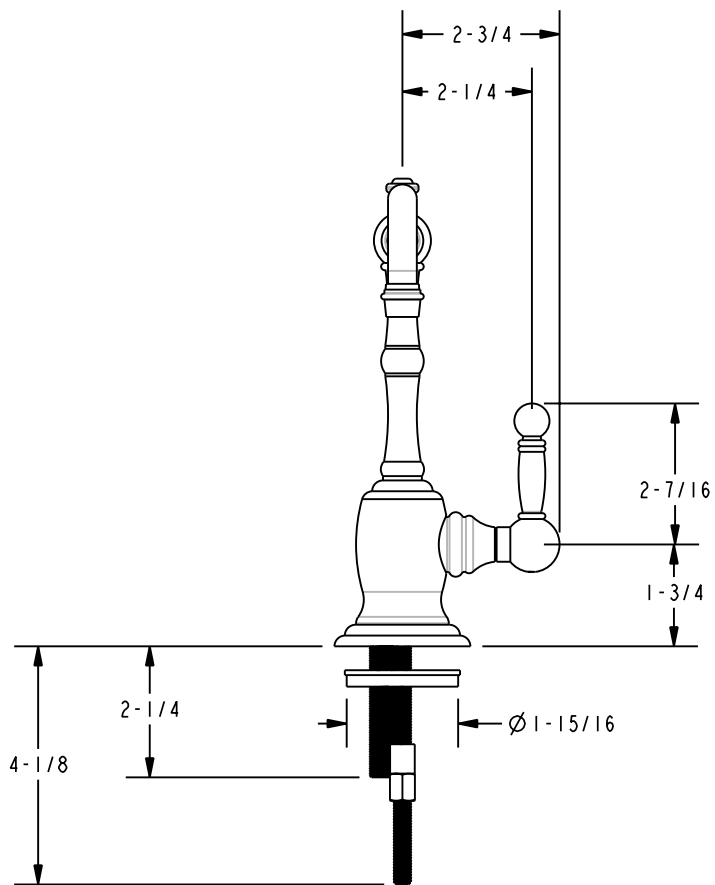
- 1 APPLY LOCTITE 680 OR EQUIVALENT
- 2 SLIT AND SHORTEN O-RING BY .13" TO .20" IN LENGTH BEFORE INSTALL
- 3 SLIT O-RING BEFORE INSTALL
- 4 INSTALLATION TORQUE: 11 - 14 LB-FT
- 5 WATER TEST WHOLE UNIT
- 6 SEE DETAIL 'A' FOR INSTALLATION ORIENTATION
- 7 BAG 5-007 IN A SEPARATE BAG



| BILL OF MATERIAL (CURRENT LEVEL) | | | | |
|----------------------------------|---------|--------------------------------|----------|------|
| ITEM | PT/ASSY | DESCRIPTION | TYPE | QTY. |
| 1 | 1-134 | CARTR 3/8 HOT 1/4 TR | PART | 1 |
| 2 | 5-007 | 1/4 COMP KIT | ASSEMBLY | 1 |
| 3 | 10117 | ESCUTCHEON | PART | 1 |
| 4 | 10306 | SIDE FINIAL | PART | 2 |
| 5 | 10514 | MOUNTING CRESENT | PART | 1 |
| 6 | 10516 | MOUNTING NUT | PART | 1 |
| 7 | 10661 | MOUNTING STUD | PART | 1 |
| 8 | 50703 | WATER DISP. BODY (TRAD.) | PART | 1 |
| 9 | 50705 | WATER DISP BODY CAP | PART | 1 |
| 10 | 50706 | WATER DISP SPOUT RET RING | PART | 1 |
| 11 | 50708 | WATER DISP HDL BONNET (TRAD) | PART | 1 |
| 12 | 50709 | WATER DISP LEVER HUB (TRAD) | PART | 1 |
| 13 | 50711 | LEVER HANDLE | PART | 1 |
| 14 | 50712 | WATER DISP SPOUT SHELL | PART | 1 |
| 15 | 50714 | WATER DISP. CART HOLDER | PART | 1 |
| 16 | 50722 | WATER DISP SPOUT RISER | PART | 1 |
| 17 | 50723 | WATER DISP BALL FITTING | PART | 1 |
| 18 | 50724 | TBE SPOUT 1/2" X 4 1/2" | PART | 1 |
| 19 | 50760 | NIPPLE WATER DISP | PART | 1 |
| 20 | 50767 | ADAPTER | PART | 1 |
| 21 | 91017 | O-RING (AS-568A NO.:012) | PART | 1 |
| 22 | 91063 | GASKE RBR, MOUNTING CRESENT | PART | 1 |
| 23 | 91217 | O-RING, (PARKER #2-020) | PART | 1 |
| 24 | 91351 | O-RING 7/16 X 9/16 SPL | PART | 1 |
| 25 | 91382 | O-RING, TEFLON, 2-012 | PART | 1 |
| 26 | 91383 | O-RING, TEFLON, 2-014 | PART | 1 |
| 27 | 92000 | SCREW 8 - 32 X 1/8 SS | PART | 1 |
| 28 | 92192 | SET SCREW 10-32 X 5/8" | PART | 1 |
| 29 | 92193 | SCREW, OVAL PHILLIPS, M4, 16MM | PART | 1 |



SPECIFICATION DWG



DIMENSIONS ARE IN INCHES AND AN APPROXIMATION OF A TYPICAL INSTALLATION

COPYRIGHT 2004 BRASSTECH, INC. THESE DRAWINGS AND THE DESIGNS DEPICTED HEREIN ARE THE PROPRIETARY PROPERTY OF BRASSTECH. ANY USE OR REPRODUCTION IS SUBJECT TO THE EXPRESS APPROVAL OF BRASSTECH. UNAUTHORIZED USE IS STRICTLY PROHIBITED. ALL RIGHTS RESERVED.

| | | | |
|------------------|------|-----------------------|--------|
| BRASSTECH | | 2001 E. CARNEGIE AVE. | |
| INCORPORATED | | SANTA ANA, CA 92705 | |
| | | (949) 417-5207 | |
| DWG NO. | 108C | REV | B |
| SCALE | .300 | REF. | - |
| | | SHEET | 2 OF 2 |