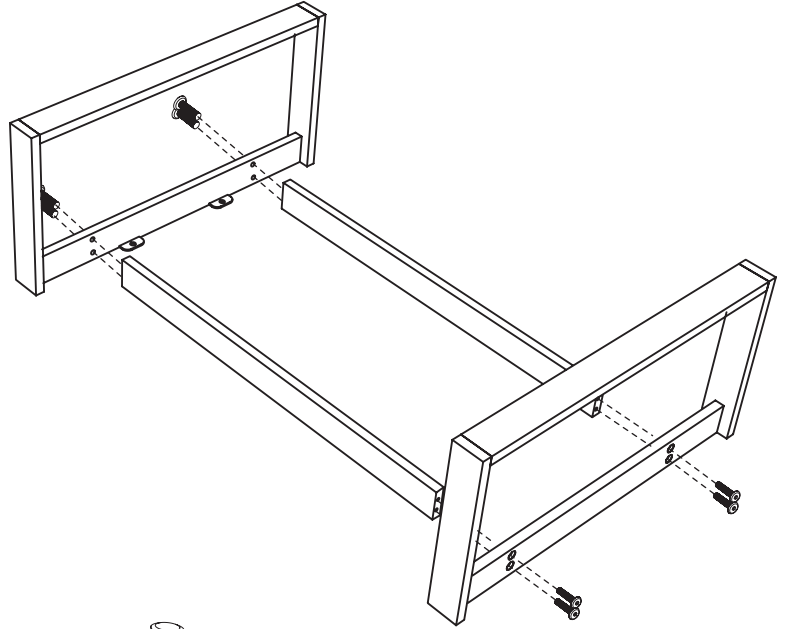
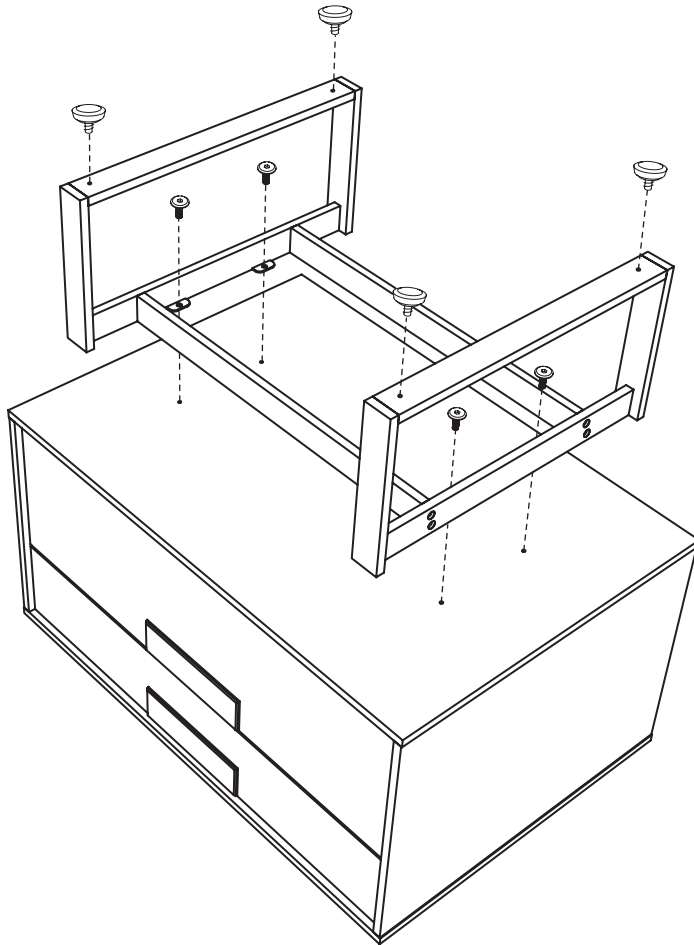


1



2



Assemble on carpet or a protective mat.

- 1 Assemble the base as shown in Diagram 1. Attach using the four tall screws and the hex key.
- 2 Now, attach the base assembly to the bottom of the unit, using the four short screws and the hex key. Screw a glide into each corner of the base.

REV 1 2007.09.12

HARDWARE INVENTORY



8 tall screws



4 short screws



1 hex key



4 glides