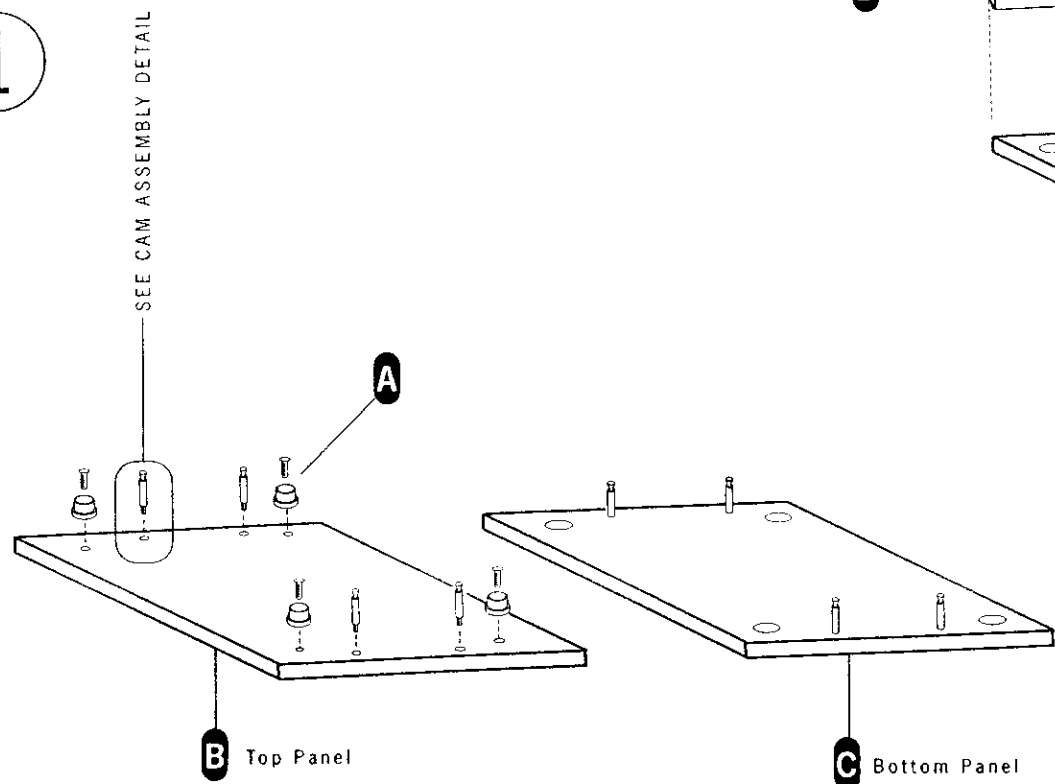
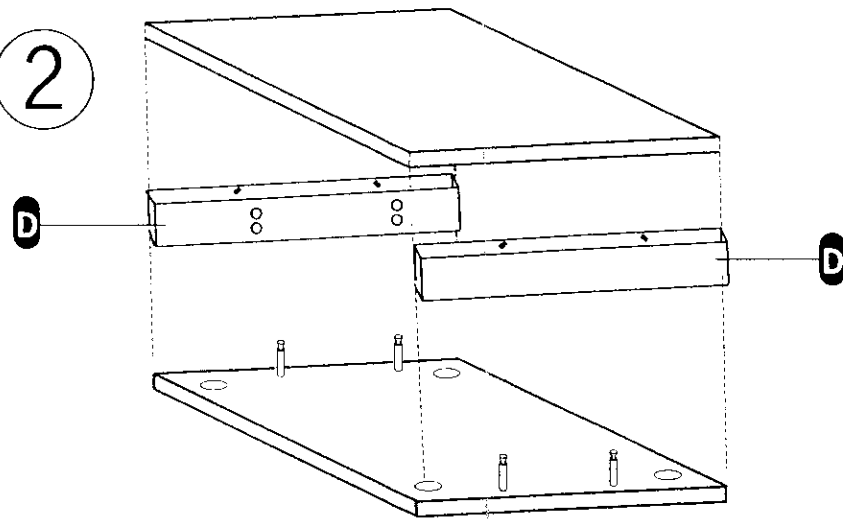


# Challenge

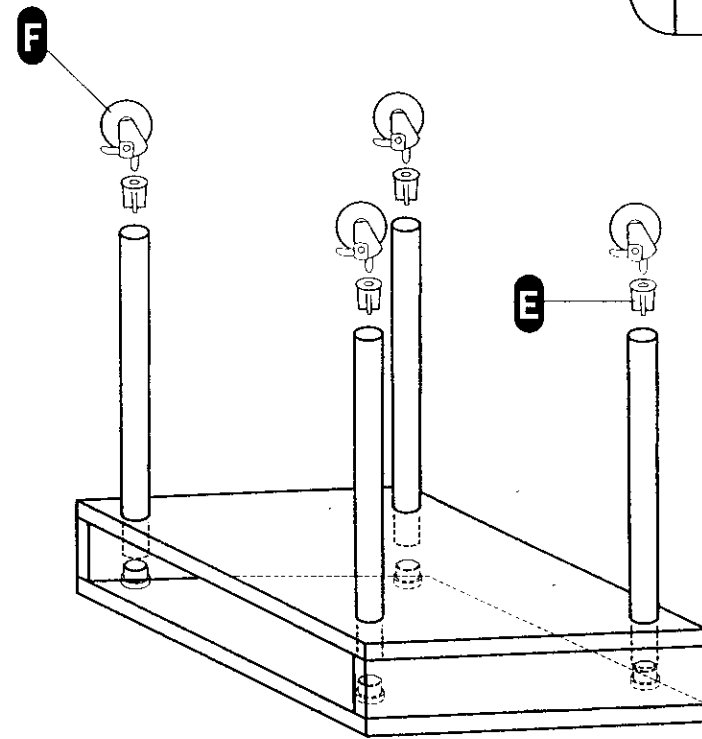
1



2



3

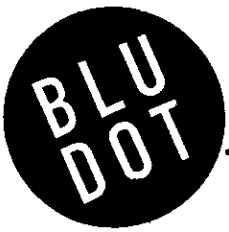


**HOW TO USE CAM CONNECTERS**

- 1 With a Phillips head screw driver, screw cam post **Y** into the pre-drilled hole **Z**.
- 2 Insert the cam **X** into the larger hole with the arrow on the cam pointing to the cam post.
- 3 Slide the panel with the cam down onto the installed cam post. Tighten the cam by turning it clock-wise with the Phillips head screw driver until you feel the cam "lock in".

Self!

your



Assemble on carpet or protective mat.  
Before beginning, familiarize yourself with using cam connectors. (see insert right corner)

- 1 Attach the plastic caps **A** to the bottom of the top panel **B** with the screws provided.
- 2 Screw the cam posts into the pre-drilled holes of the top panel **B** and bottom panel **C**.
- 3 Insert the cams into the holes on the side panels **D** with the arrow on the cam pointing to the drilled edge of the panel.
- 4 Attach the side panels to the bottom panel. Make sure that the cams are facing the inside of the table. Tighten the cams.
- 5 Slide the top panel down onto the side panels and tighten the cams.

- 7 Tap the plastic sockets **E** into the bottom of each leg.
- 8 Slide the legs through the large holes in the bottom panels and tap securely into the plastic caps, until legs are fully seated.
- 9 Insert casters and you are done!

**HARDWARE INVENTORY**

- 8 cams
- 8 cam posts
- 4 screws
- 4 black sockets
- 4 black caps w/holes

**WOOD COLOR OVER TIME:** Air and daylight will naturally change the color of the wood. For most woods, this change is gradual and very slight. During the first several months, while the patina is developing, items placed on the wood should be rotated to different locations to prevent uneven coloration. Over time an even patina will develop.

BLU DOT DESIGN AND MANUFACTURING, INC. copyright 2002.  
www.bludot.com / t. 612.782.1844 / f. 612.782.1845