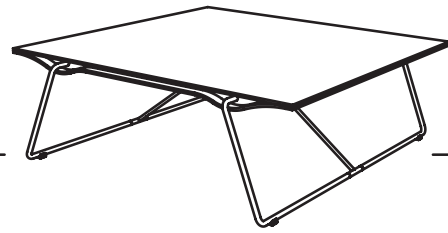
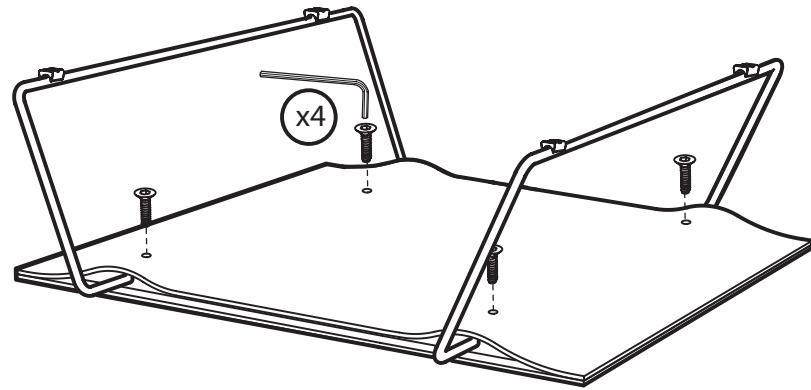


# Assembly Notes

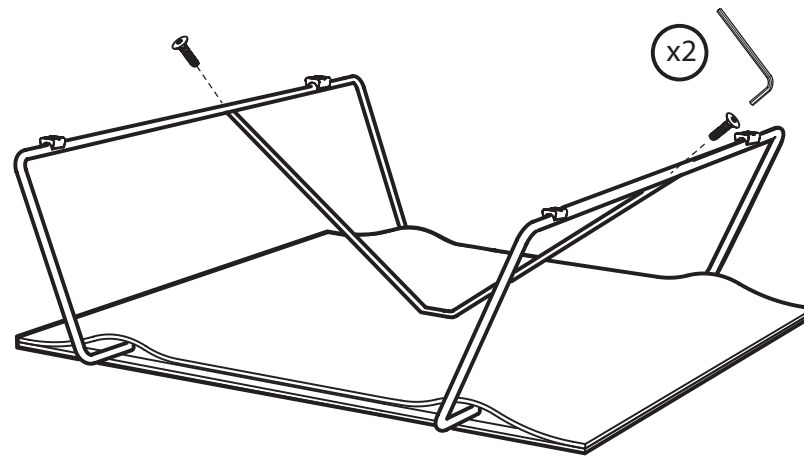


## RIPPLE SQUARE COFFEE TABLE

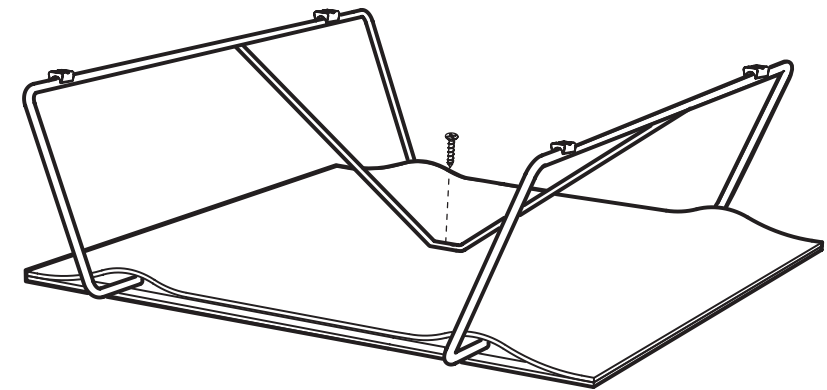
1



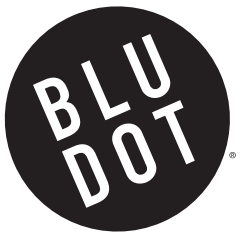
2



3



Assemble on carpet or protective mat.



Take a moment to familiarize yourself with the furniture components and hardware before you start. Breathe deeply.

1 When you're ready to begin, lay the top on the floor, with the bottom facing up. Stand the legs up as shown in Figure 1 and use the large hex wrench to fasten the legs into place. You may want to have a helper hold the legs upright and steady while you tighten the screws.

2 Working from Figure 2, align the leg brace under the legs. Use a short screw and the small hex wrench to secure the brace to each leg.

3 Fasten the leg brace to the table top using a philips head screwdriver and the long screw provided. Refer to Figure 3.

Garnish with an objet d'art, and c'est fini! No, Hummels do NOT count. Then step back and enjoy your new Ripple.

REV 2 03.20.07

### HARDWARE INVENTORY



BLU DOT DESIGN AND MANUFACTURING, INC. copyright 2007.  
www.bludot.com / t. 612.782.1844 / f. 612.782.1845