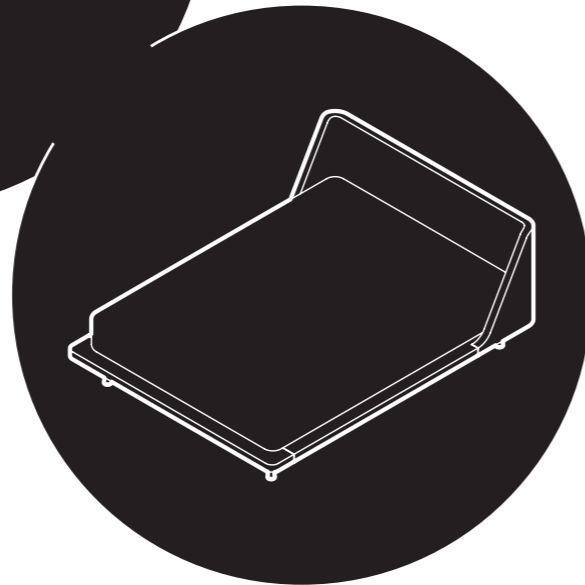


BLU
DOT

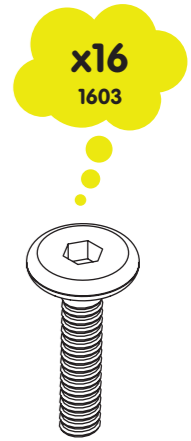
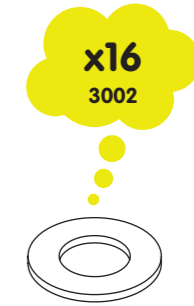
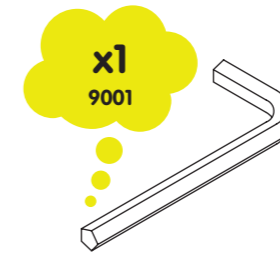
NOOK

ASSEMBLY NOTES

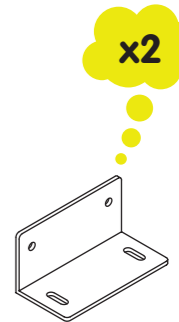
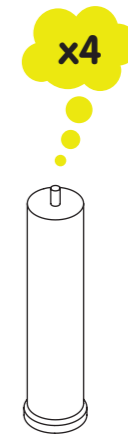
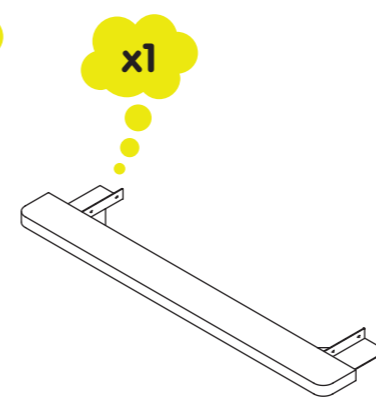
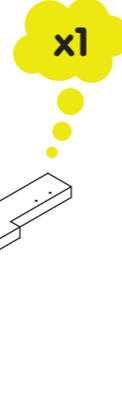
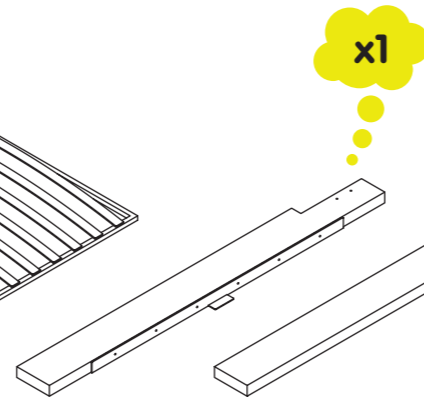
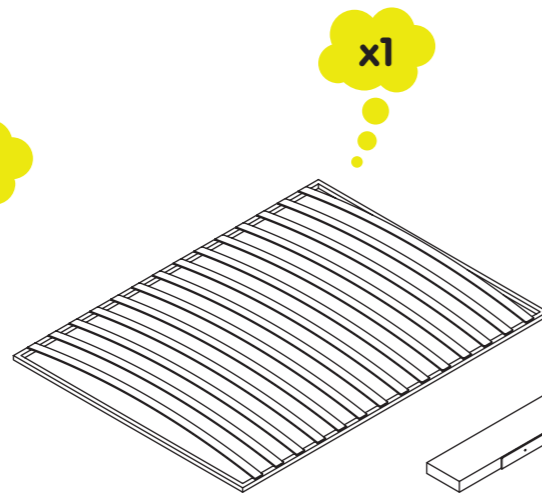
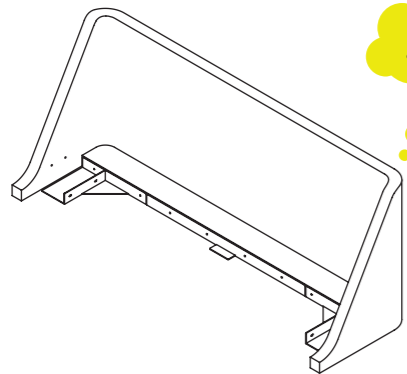
TAKE OFF YOUR
SHOES AND STAY
A WHILE!



HARDWARE



PARTS



1

Remember to use the buddy system: assembling Nook takes two.

2

3

x2

x1
9001

x16
3002

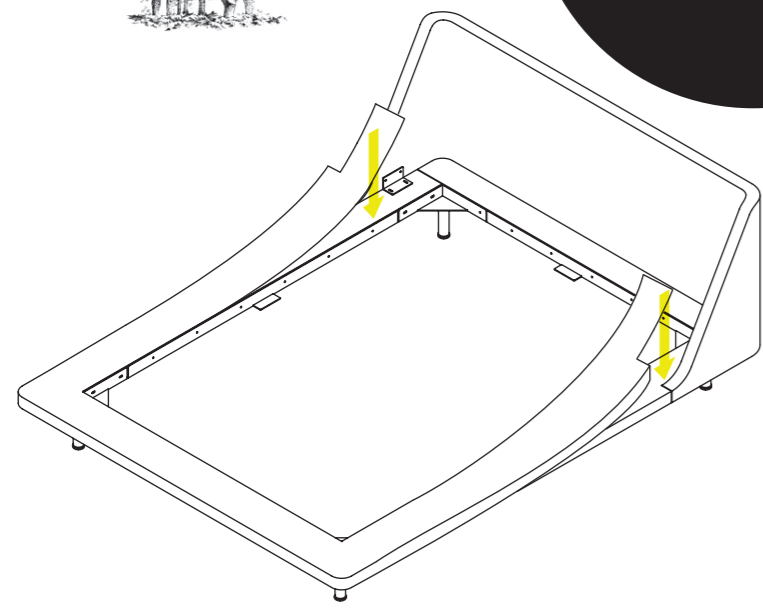
x16
3001

x16
1603

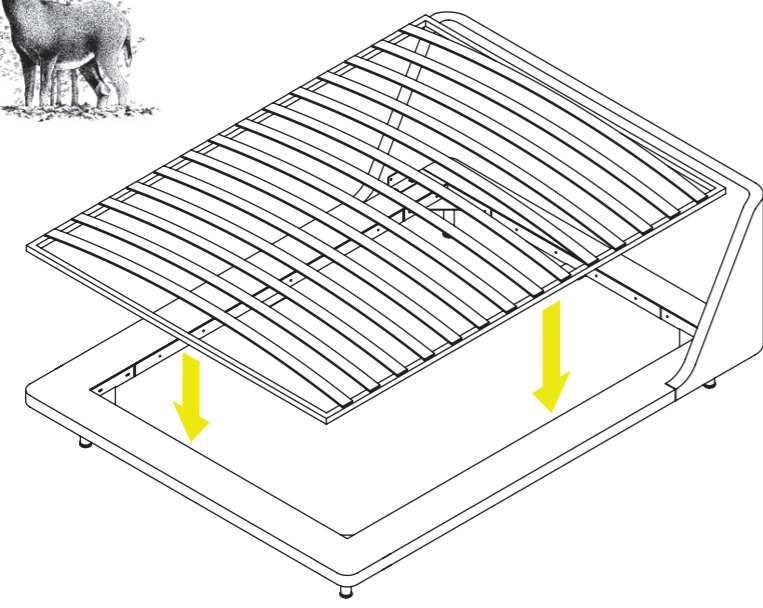
4



Starting at foot, secure the velcro on the slip cover to the bed frame keeping the edges smooth and in line with the edges of the frame.



5



UPHOLSTERY & FELT CARE

KEEP IT CLEAN, JIMMY!

AVOID

Keep upholstery & felt furniture out of direct sunlight and away from heat sources; excessive exposure to sunlight may fade the color of the upholstery. Avoid placing heavy or sharp objects on the furniture surface for long periods of time; this can cause permanent indentations in the fabric. For snags in the fabric, tuck loose threads into fabric or carefully push to reverse side. Never pull out or cut off loose threads.

CLEAN

Vacuum your upholstery regularly.

SPILLS

Act quickly with spills. Absorb the spill with a clean white cloth or paper towel. Never rub the surface. Spot clean with dry cleaning fluid. Do not use water or other liquids to clean, as they may stain the fabric. Consult a commercial cleaning specialist for removal of stubborn stains.