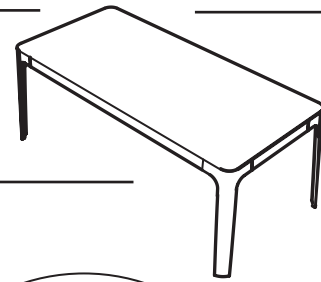
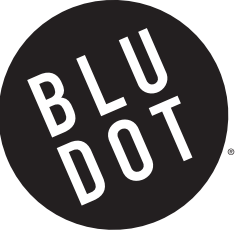
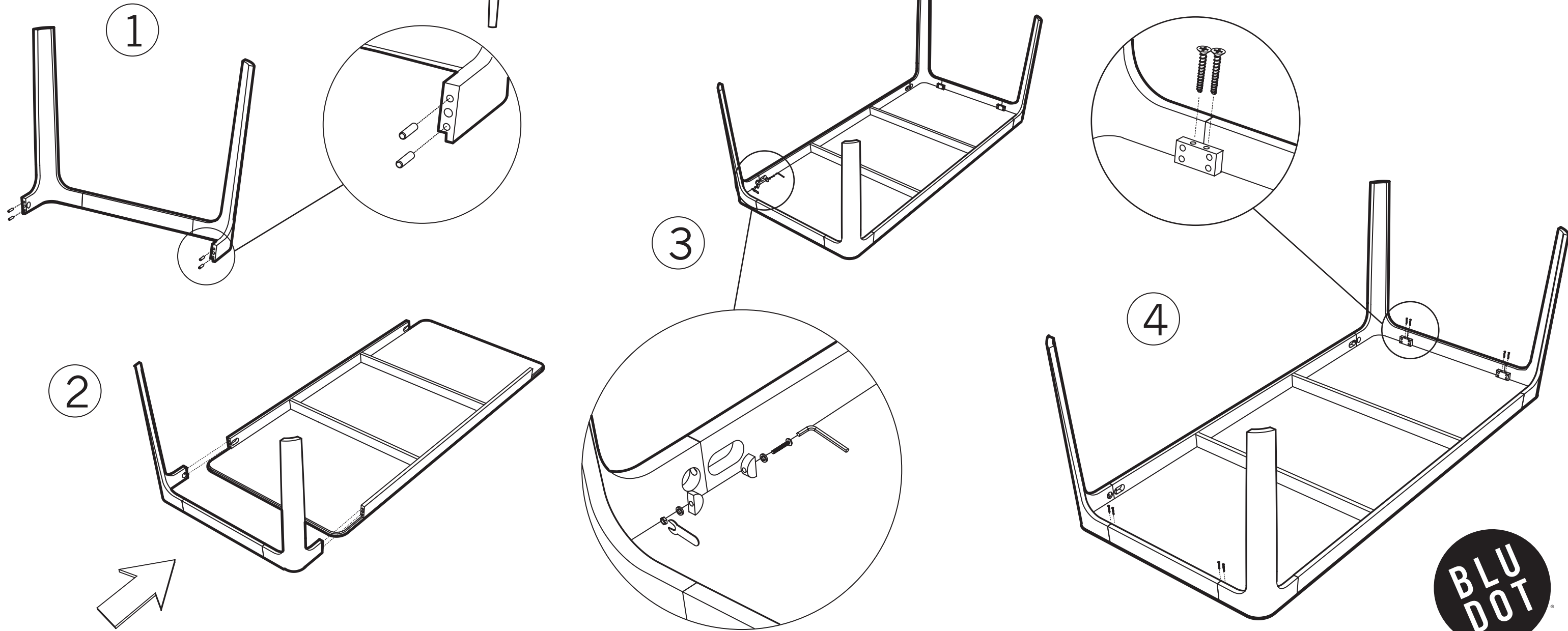


# Assembly Notes



# NICK TABLE



- 1 First, insert one dowel in each of the top and bottom holes on both ends of the leg assembly, as shown in diagram 1. Repeat for other leg assembly.
- 2 Lay the tabletop upside-down on carpet or a protective mat. Orient the leg assembly and slide the dowels into holes as shown in diagram 2.
- 3 Next, load a washer and spacer onto a bolt with the flat side oriented toward the bolt head. Slide the bolt through the hole connecting the leg assembly with the top assembly. Then slide another spacer and washer onto the end of the bolt with the curved side of the spacer against the curved side of the large hole. Thread a nut onto the end of the bolt and tighten securely with the supplied wrench while holding the other end of the bolt with the hex key. Repeat these steps to fasten the other side of this leg assembly. Now repeat steps 1 & 2 to fasten the other leg assembly.

- 4 Using the 8 supplied screws, fasten the leg assemblies to the top as shown in diagram 3.
- 5 Now grab a friend to help turn the table over. Make sure not to put pressure on the legs until it is right side up.

REV 0 08.08.06

## HARDWARE INVENTORY



8 dowel pins



8 washers



8 spacers



4 bolts



4 nuts



8 screws

WOOD COLOR OVER TIME: Air and daylight will naturally change the color of the wood. For most woods, this change is gradual and very slight. During the first several months, while the patina is developing, items placed on the wood should be rotated to different locations to prevent uneven coloration. Over time an even patina will develop.

BLU DOT DESIGN AND MANUFACTURING, INC. copyright 2006.  
www.bludot.com / t. 612.782.1844 / f. 612.782.1845