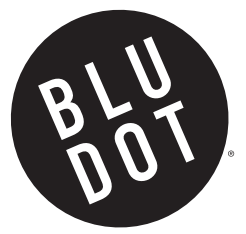
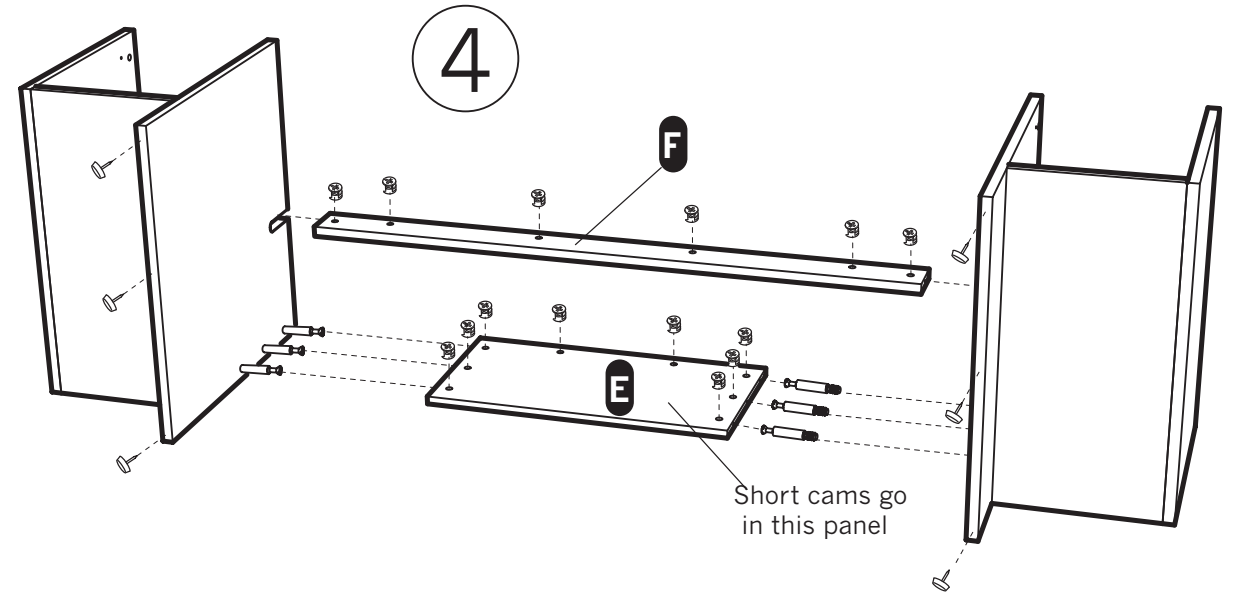
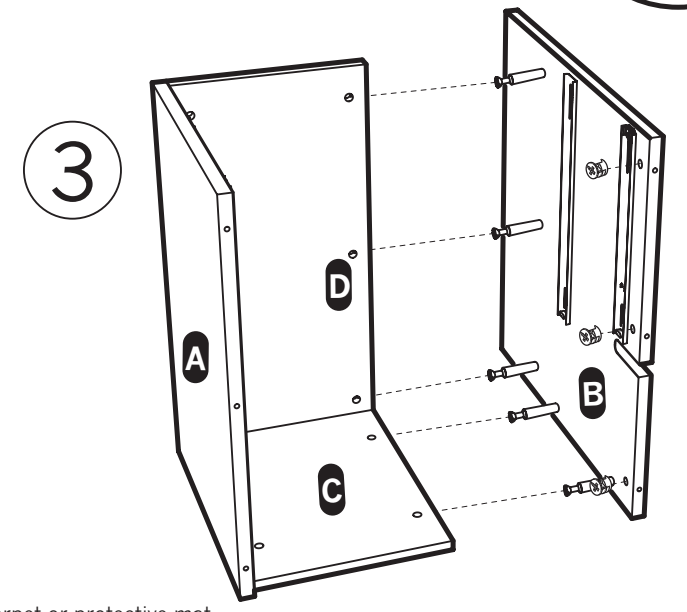


- 1 With a philips head screwdriver, screw cam post **Y** into the pre-drilled hole **X**.
- 2 Insert the cam **Z** into the larger hole with the arrow on the cam pointing to the cam post.
- 3 Slide the panel with the cam down onto the installed cam post. Tighten the cam by turning it clockwise with a philips head screw driver.

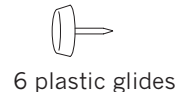
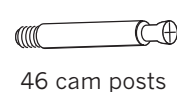
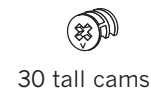


Assemble on carpet or protective mat. Before beginning, familiarize yourself with using cam connectors. (see inset right corner)

- 1 First, attach the drawer slides to the panels **A** and **B** using two screws per slide. The open ends of the slides should be closest to the front edges of the panels. See Diagram 1. Screw six cam posts into panel **A** and nine cam posts into panel **B**. Also insert three tall cams into each panel. Repeat for panels **AA** and **BB**.
- 2 Second, locate panels **C** and **E**, they will be slightly thinner than the rest of the panels, and insert short cams into each. Now insert six cams into panel **D**. Attach panels **C** and **D** to panel **A**.
- 3 Now attach panel **B** as shown in Diagram 3. Repeat steps two and three to assemble the right side of the desk.

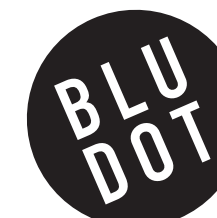
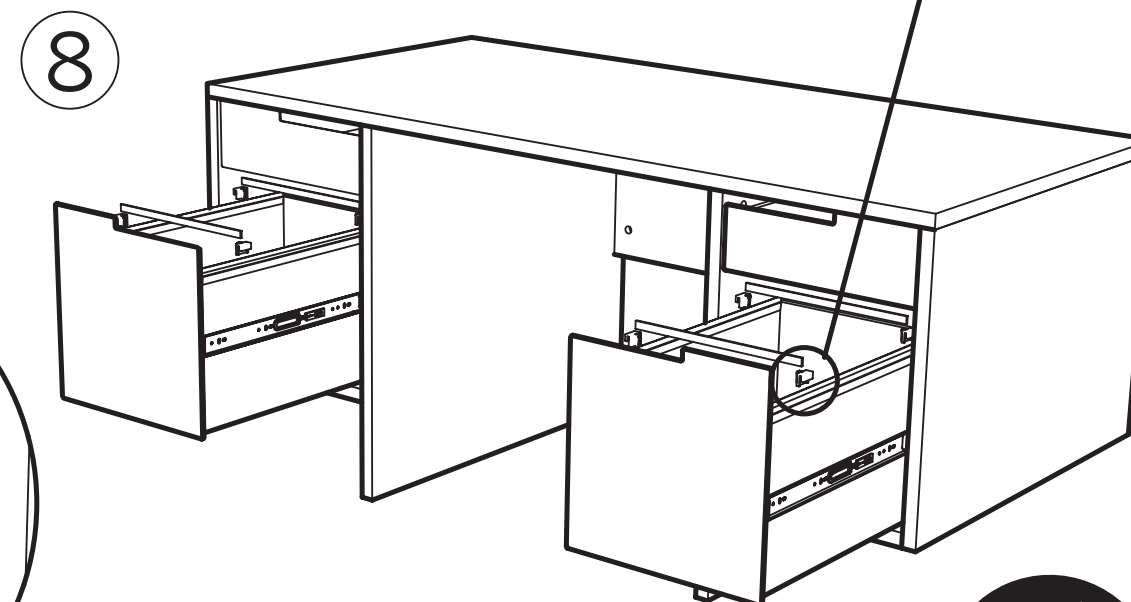
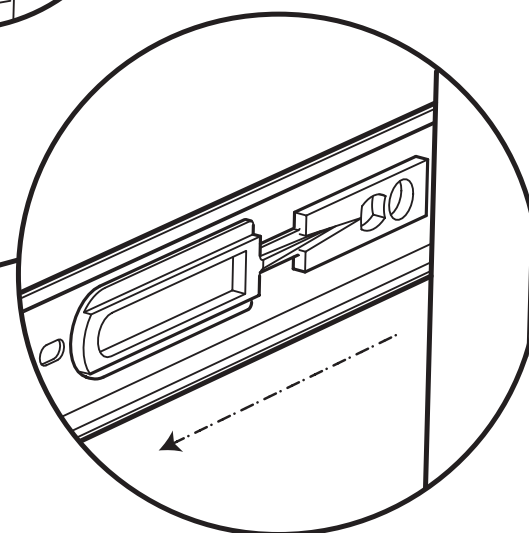
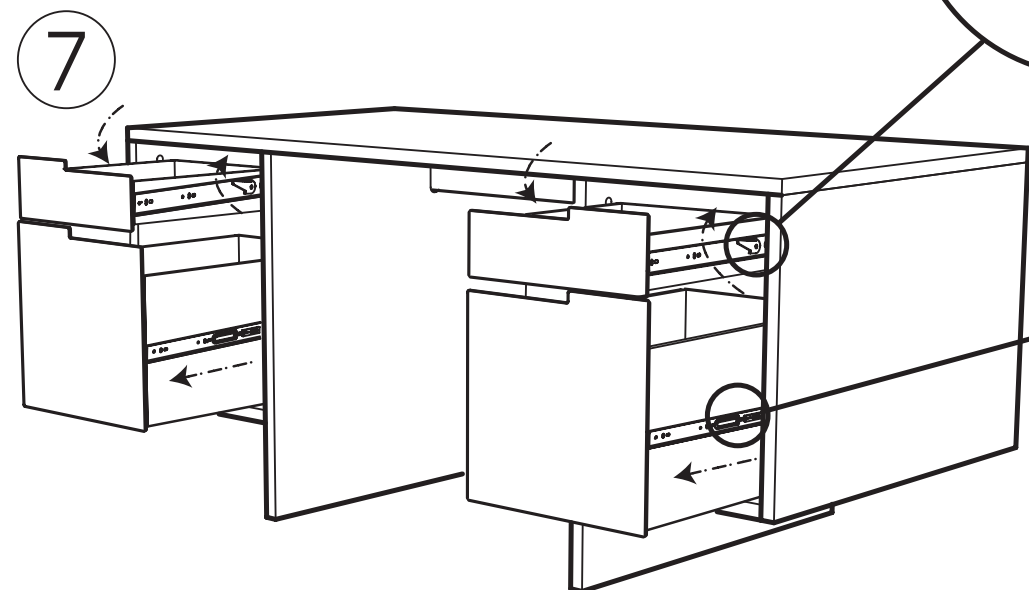
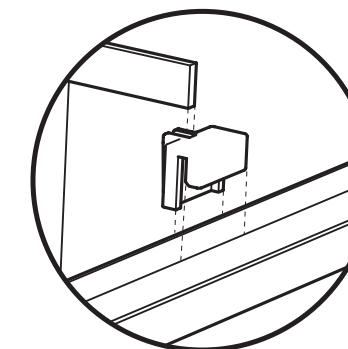
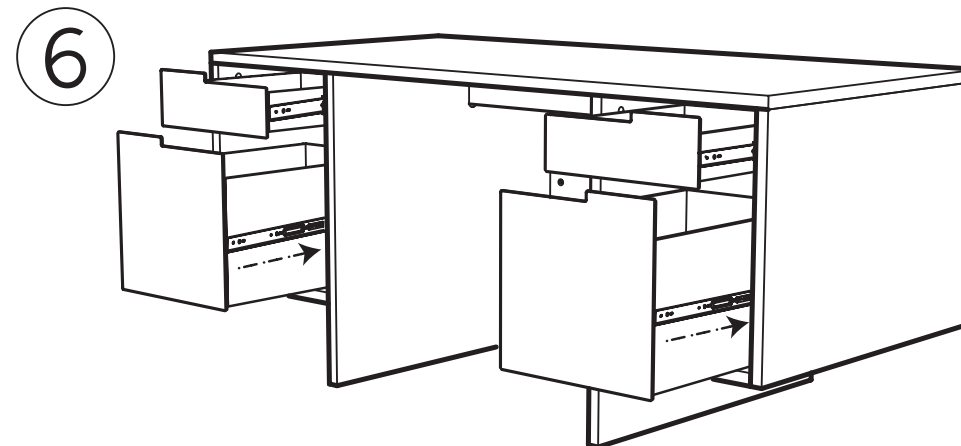
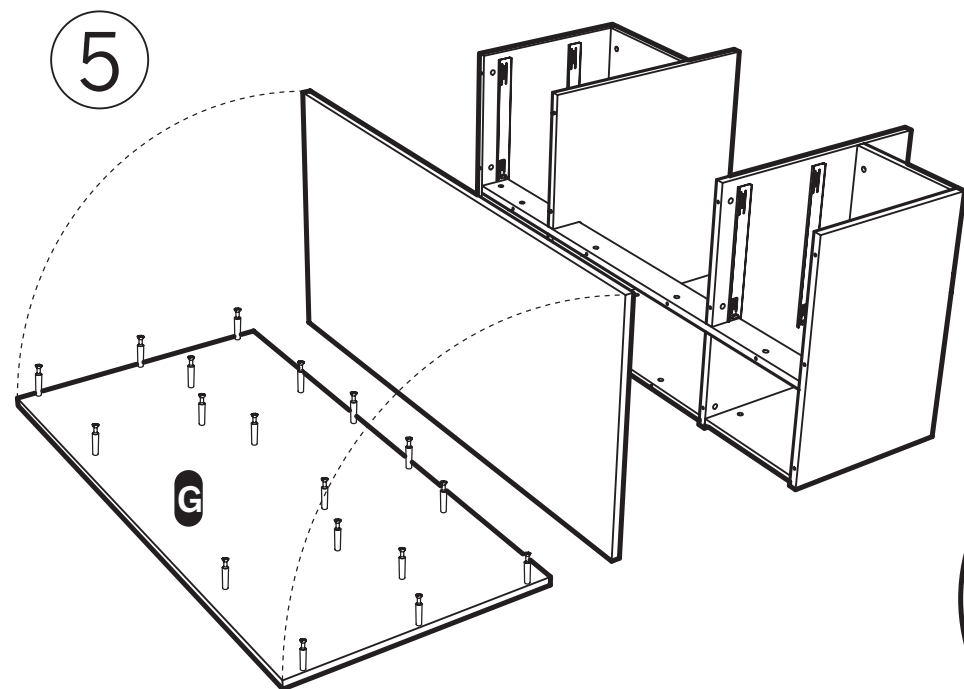
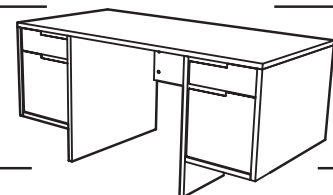
- 4 Lay the side assemblies on their backs about three feet away from each other. Place panel **E**, and panel **F** between the two sides as shown in Diagram 4 and attach them to the left side. Now press them into the right side. Don't tighten the cams until you've completed step five. Tap three plastic glides into the bottom of each leg as shown.

HARDWARE INVENTORY



WOOD COLOR OVER TIME: Air and daylight will naturally change the color of the wood. For most woods, this change is gradual and very slight. During the first several months, while the patina is developing, items placed on the wood should be rotated to different locations to prevent uneven coloration. Over time an even patina will develop.

BLU DOT DESIGN AND MANUFACTURING, INC. copyright 2007.
www.bludot.com / t. 612.782.1844 / f. 612.782.1845



5 On panel **G**, screw in eighteen cam posts. Then slide the panel onto the desk and tighten all the cams from steps four and five.

6 Now stand the desk up and insert the drawers. Fit the male slides on the drawers into the female slides that you installed on the desk and push them closed.

7 To remove the pencil drawer, lift the lever on the right side of the drawer and push down the lever on the left side while pulling the drawer out. To remove the file drawer, pull the rings toward you and pull the drawer out. See Diagram 7.

8 Add the file hanging hardware into the file drawers. First, push one black strip onto each side of the drawer bodies with the raised side of the strip toward the inside of the drawer. Letter files can be hung from the strip. In order to hang legal files you will have to add the bars and clips as shown in Diagram 8.

*To adjust the reveals on the drawer fronts, loosen the acorn nuts on the inside of the drawer, move the drawer front into place, and retighten.