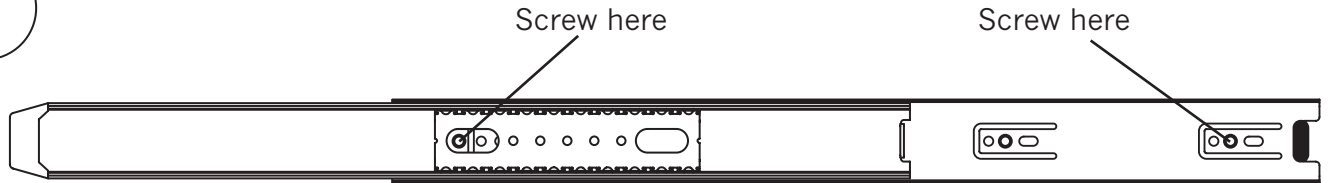


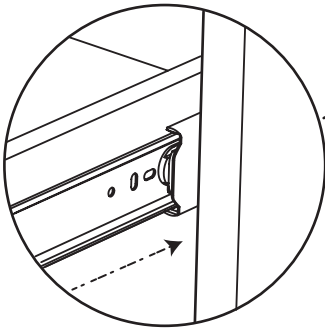
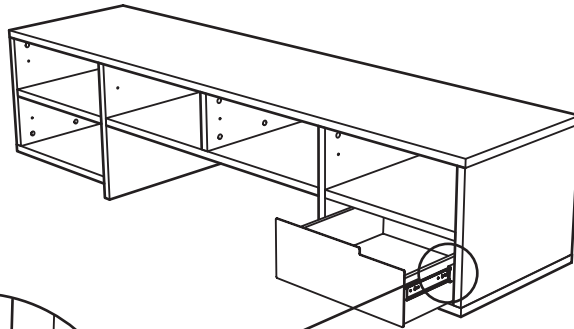
1



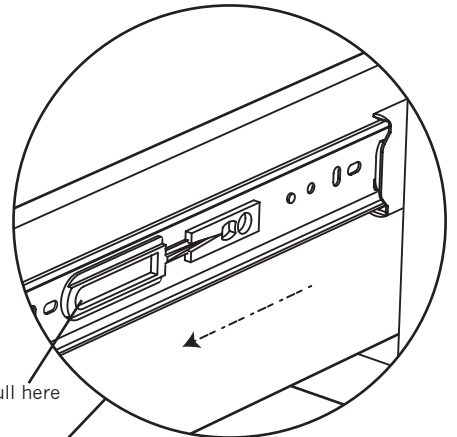
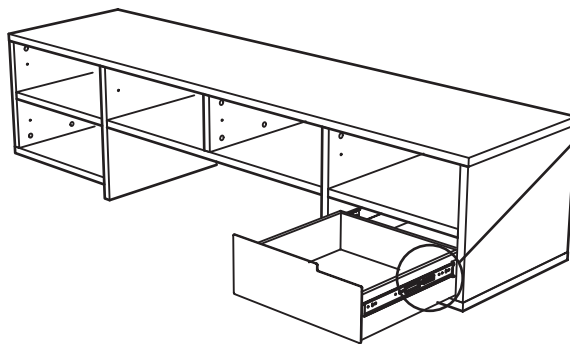
This end goes toward the front of the unit.

This end goes toward the back of the unit.

2



3



Pull here



Assemble on carpet or a protective mat.

- 1 Drawers can be added into any of the six cubbies. There are screw holes for the drawer slides pre-drilled in each cubby. To add a drawer to a cubby you will need to attach a slide to each side of the cubby. Use two screws per slide as shown in Diagram 1. The open end of the slide should face the front of the unit.
- 2 Line the drawer slides up with the slides in the cubby, as shown in Diagram 2. Push the drawer closed.
- 3 To remove a drawer, pull the rings on both sides of the drawer toward you and pull the drawer out as shown in Diagram 3.

REV 0 2006.12.07

HARDWARE INVENTORY



slide screws



slides