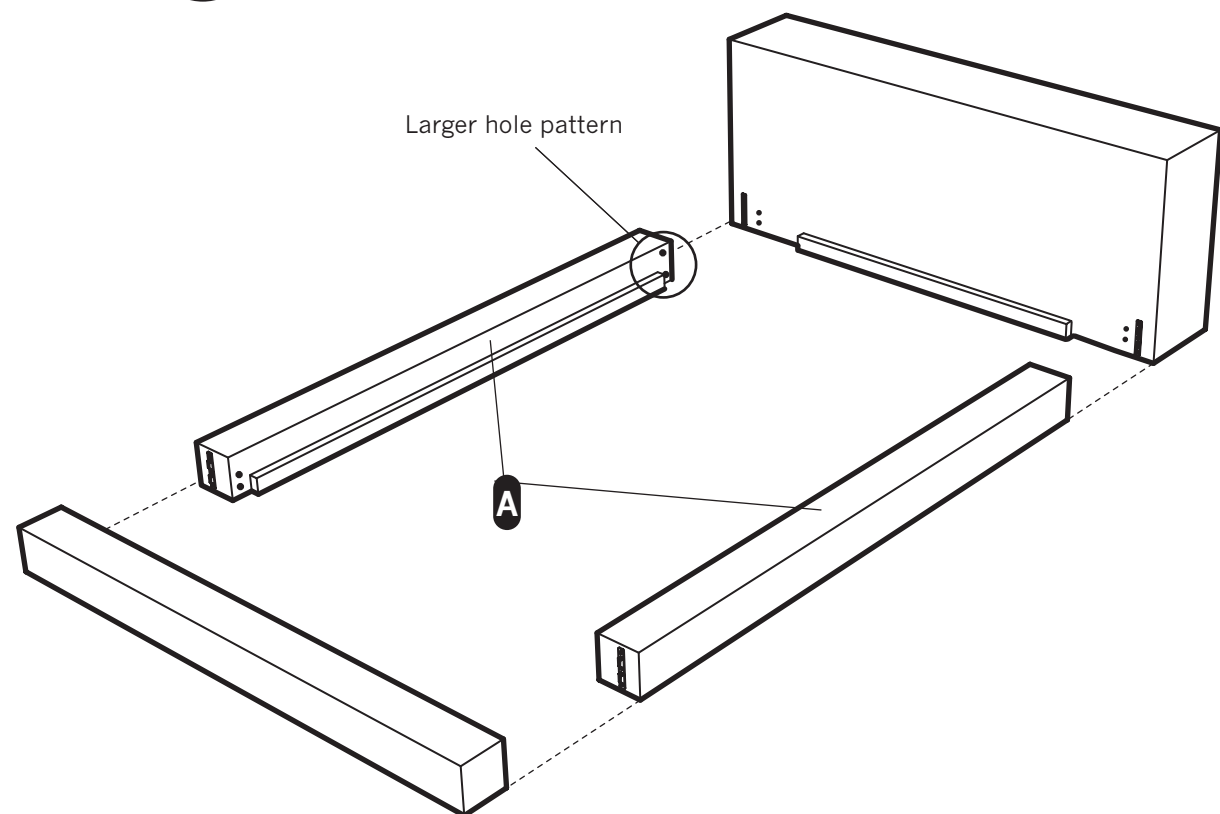
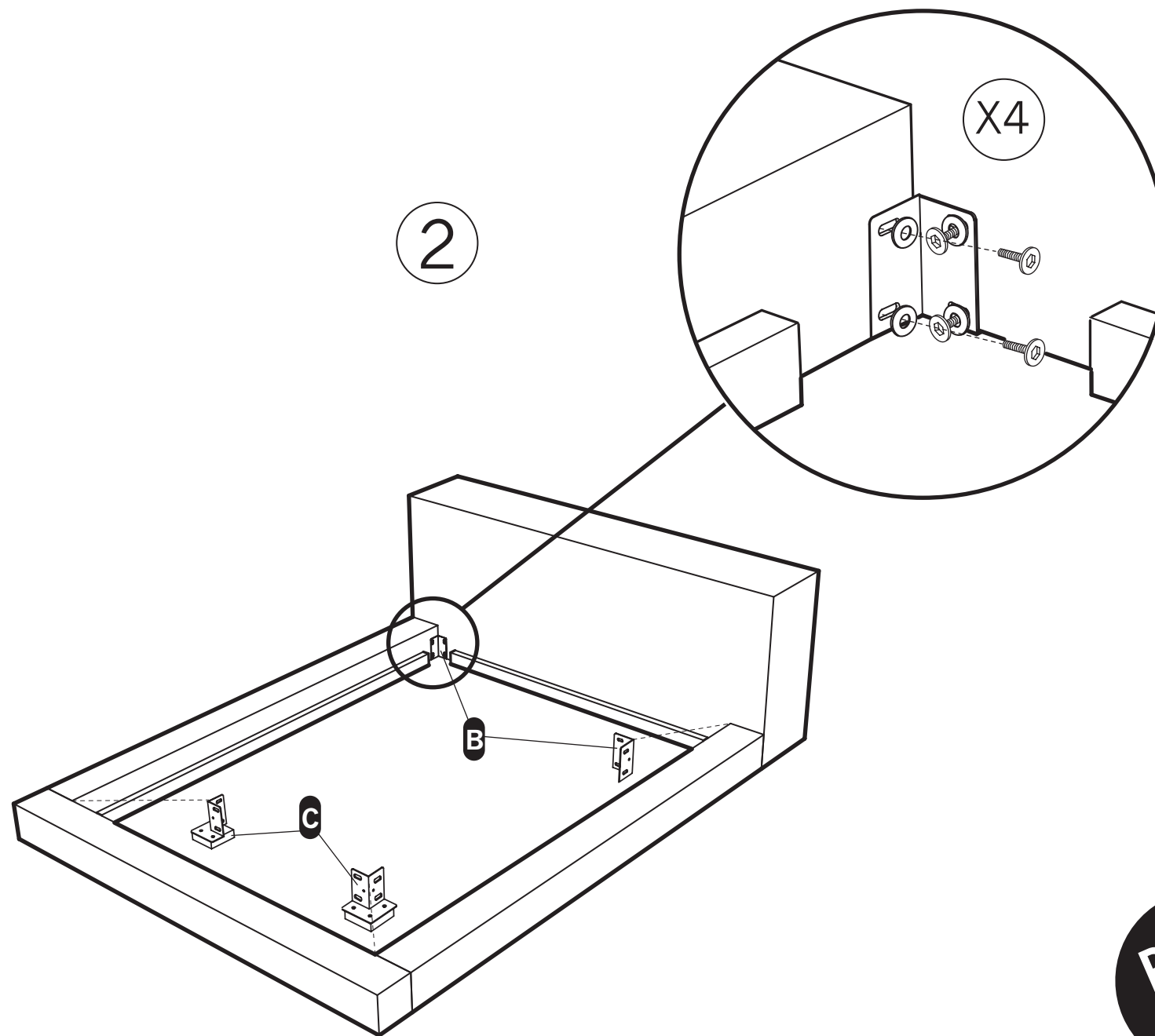


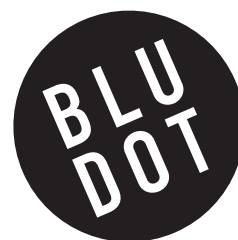
1



2



Assemble on carpet or protective mat.



- 1 Orient each siderail **A** as shown in diagram 2. Note that the end closest to the headboard should have a larger hole pattern on the side. Push the hooks on the side rails into the slots in the headboard and footboard. Firmly press down on the siderails to make sure the hooks engage.
- 2 Attach the rails together by screwing in the corner brackets. First attach the smaller brackets **B** to the headboard and side rails. Place the bracket in place, add a washer, and then a screw. Use the hex key to tighten the screws. Repeat to attach the larger brackets **C** to the footboard and side rails.

REV 2 10.26.07

### HARDWARE INVENTORY



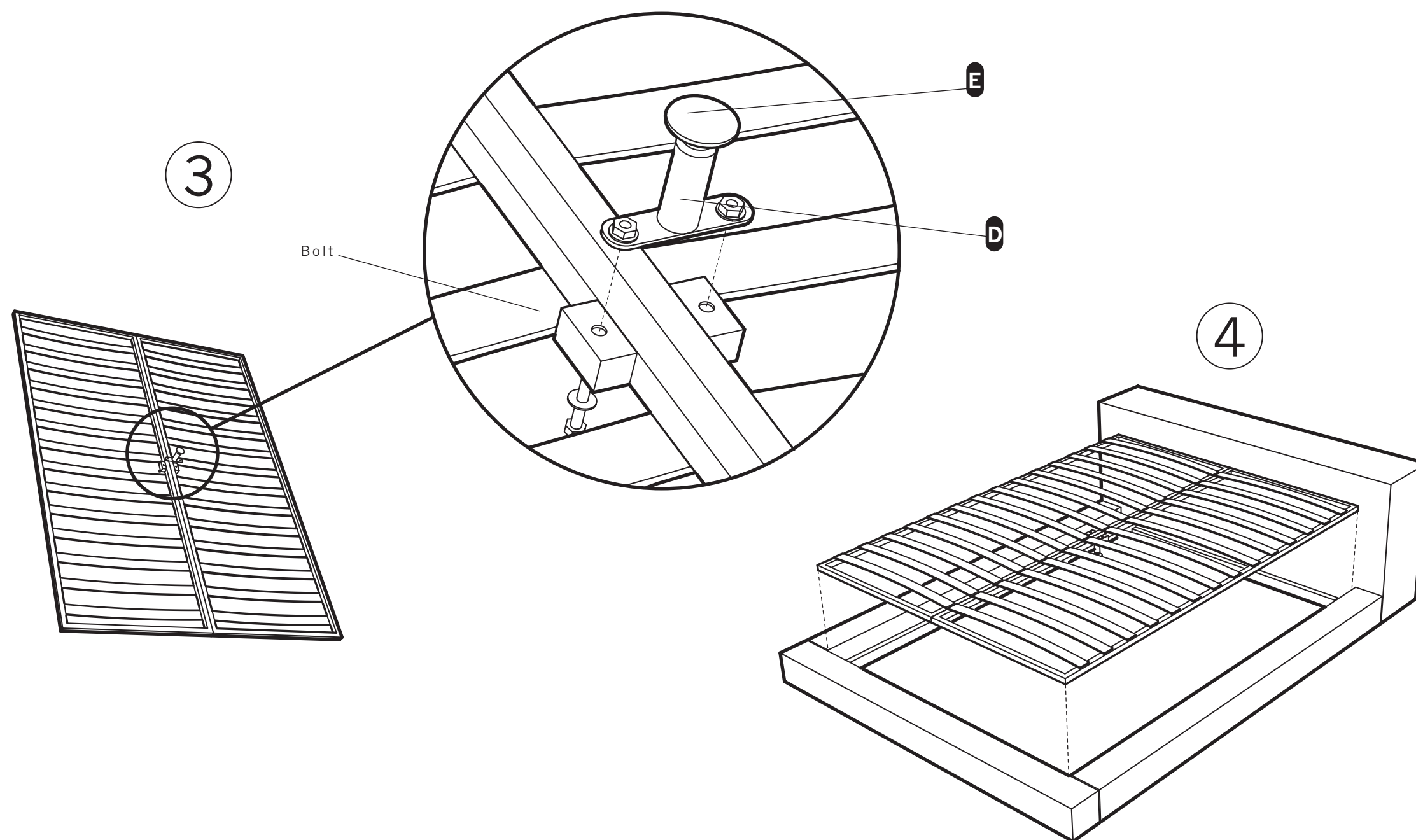
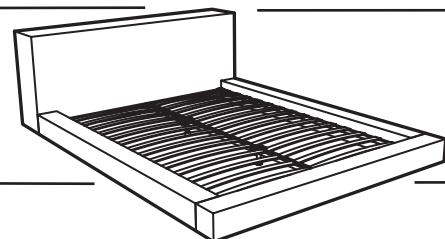
16 screws



1 hex key



16 washers

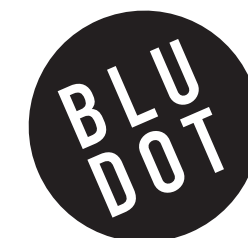


### FELT UPHOLSTERY CARE

**CLEAN:** Vacuum your upholstery regularly. For occasional cleaning remove the slipcover and have it cleaned by a professional dry cleaner. Always clean the entire cover together. Colors may undergo subtle changes during the dry cleaning process. Never machine or hand wash the slipcover. After a professional cleaning the slip cover may fit snugly. Stretch it gently over the bed frame to fit. If the slipcover is heavily wrinkled, use a steamer to eliminate creases.

**SPILL:** Act quickly with spills. Absorb the spill with a clean white cloth or paper towel. Never rub the surface. If the spill has already set, use a very mild, dye-free wool detergent mixed with lukewarm water and blot with a clean cloth or sponge. If necessary, have the entire slipcover professionally cleaned.

**AVOID:** Keep your felt upholstery furniture out of direct sunlight and away from heat sources as excessive exposure to sunlight will fade the color of the upholstery. Avoid placing heavy or sharp objects on the furniture surface for long periods of time as this can cause permanent indentations in the fabric. For snags on the fabric, tuck the loose threads into the fabric or carefully push through to the reverse side. Never pull out or cut off loose threads.



- 3 Next, unfold the slat assembly and lean it against a wall with the slats curving out toward the wall. Attach leg **D** to slat frame as shown in detail.
- 4 Lay the slats into the frame with the curve of the slats facing up. Unscrew the foot pad **E** until it hits the floor.
- 5 Now you can install the slip cover. Slip the large portion over the headboard then slip the rest over the side rails and footboard. Finally, secure the velcro on the slip cover to the velcro on the bed frame keeping the edges smooth and in line with the edges of the frame.

REV 2 10.26.07

### HARDWARE INVENTORY

