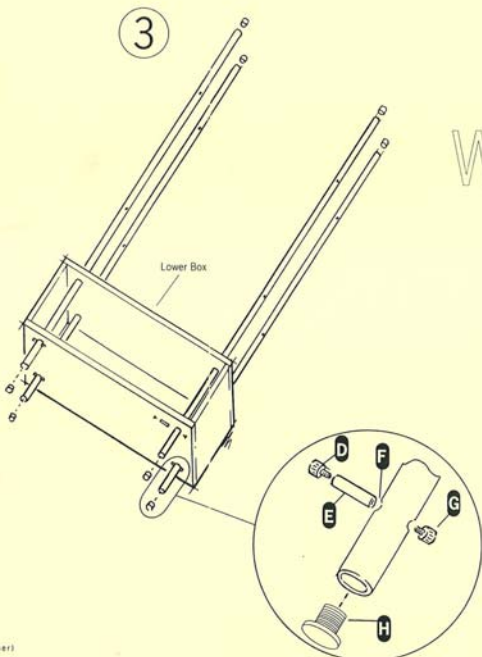
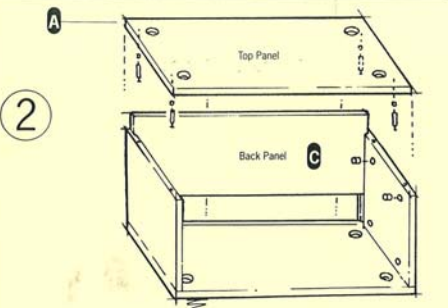
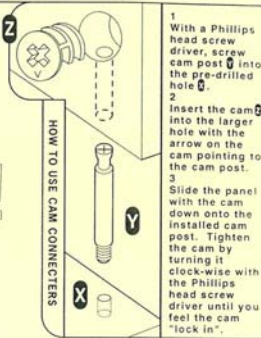


SEE CAM ASSEMBLY DETAIL



Whew!



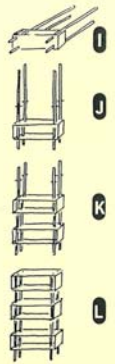
HOW TO USE CAM CONNECTERS

- 1 With a Phillips head screw driver, screw cam post **D** into the pre-drilled hole **E**.
- 2 Insert the cam **F** into the larger hole with the arrow on the cam pointing to the cam post.
- 3 Slide the panel with the cam down onto the installed cam post. Tighten the cam by turning it clockwise with the Phillips head screw driver until you feel the cam "lock in".

Vertical Building Notes

- 7 With 2 people, each grabbing a pair of legs, lift the assembly from its back **I** to its standing position **J**.
- 8 Insert the stop pins in the legs for the middle box. Lower the middle box down the legs slowly and evenly **K**.
- 9 Repeat with the top box **L**.
- 10 You now have a Chicago 3 Box!

NOTE: IN ORDER TO MOVE THE UNIT SHORT DISTANCES, GRAB THE LEGS, NOT THE BOXES.

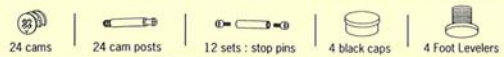


Assemble on carpet or protective mat.  
Before beginning, familiarize yourself with using cam connectors. (see insert right corner)  
Assemble near place of use, travel is discouraged without disassembly.

- 1 ASSEMBLE ALL 3 BOXES FIRST : SEE SKETCHES 1 AND 2.
- 2 Screw the cam posts into the pre-drilled holes on the top panel **A** and bottom panel **A**. Insert the cams into the holes on the sides of the side panels **B**, making sure the arrows on the cams point towards the drilled edge (top) of the panel.
- 3 Slide the side panels down onto the installed cam posts on the bottom panel making sure the cams face the inside of the box. Tighten cams.
- 4 See sketch 2. Slide the back panel **C** into the slot on the side panels.
- 5 Set the top panel to the side panels. Tighten cams.

- 6 See Sketch 3. With the box on its back, thread the bottom of a tube through the holes in a box. NOTE: THE BOTTOM OF A TUBE IS THE END WITH HOLES CLOSEST TO THE END. GET IT? Review the stop pin detail in the circle above. Screw one stop screw **D** to each of the shelf pins **E**. Slide the shelf pins through the bottom holes only in the steel legs **F** and secure in place by screwing in additional stop screws **G** from the other side of the legs. Repeat process for all tubes until assembly looks like Sketch 3. Screw the foot levelers **H** into the bottoms of the legs, and tap the four black caps into the top end. NOTE: THE LEVELERS MUST BE INSTALLED AFTER THE LEGS HAVE BEEN THREADED THROUGH THE LOWER BOX. From this point on two people are required. See Vertical Building Notes Above.

HARDWARE INVENTORY



WOOD COLOR OVER TIME: Air and daylight will naturally change the color of the wood. For most woods, this change is gradual and very slight. During the first several months, while the patina is developing, items placed on the wood should be rotated to different locations to prevent uneven coloration. Over time an even patina will develop.