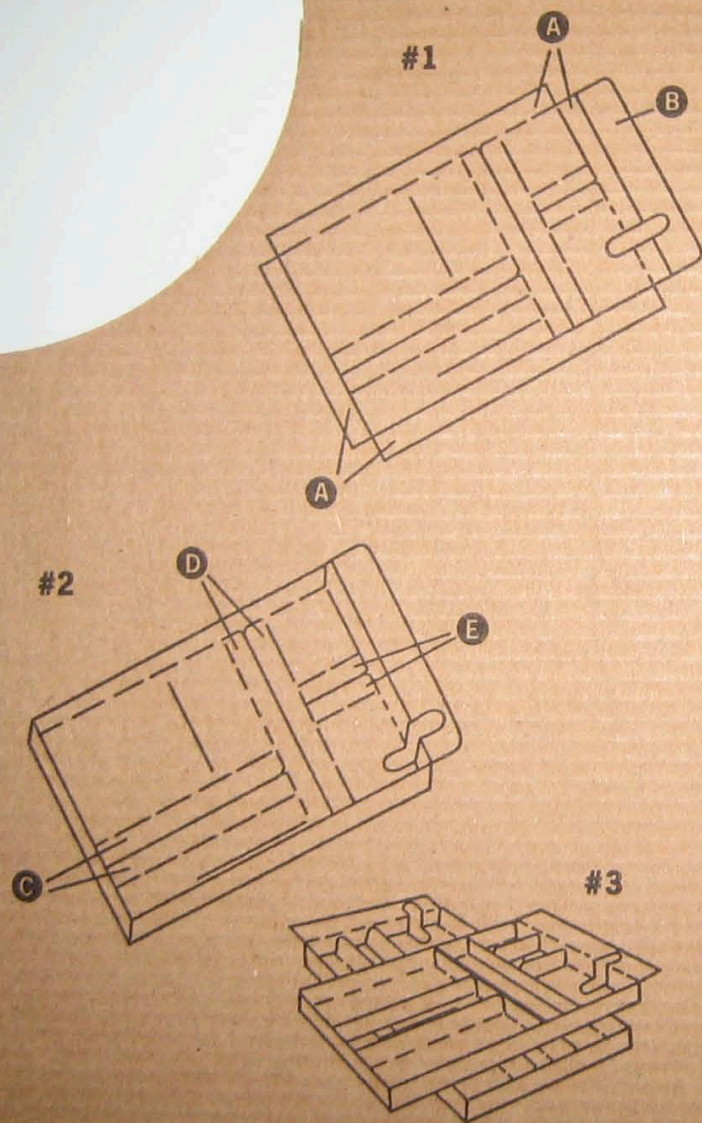
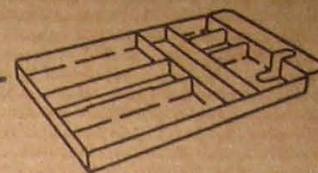


CATCH-ALL STACKING TRAY



STEP 1 : Orient the piece so it looks like Drawing #1. Bend all flaps marked A up 90 degrees. Bend flap B back down 90 degrees, away from the interior of the tray.

STEP 2 : Flaps C, D, and E can be bent up 90 degrees to form compartments in your tray (Drawing #2). You can bend some or all (or none) of these depending on your needs. (I bend them all up. I have lots of needs.)

STEP 3 : Stack them up. Your 2d-3d Catch-All Tray is designed to stack. Each tray has two slots that accept tabs of the tray beneath. When stacked they will look like Drawing #3.

#1



#2



#3

