

FEATURED MODEL

501-107 7-1/4" & 5-1/4" bowl depths

FEATURES

- 20 gauge, 304 series stainless steel
- 18/8 chrome/nickel content
- Long-lasting, easy-to-clean, satin finish
- Rear drain placement in large bowl
- Straight bowl sides with 1-1/2" cutout corner radius

OPTIONAL ACCESSORIES

Sink Grid: 501-914 (formerly 501-136)

Colander: 215-651

WARRANTY

Blanco America's BLANCOSPEX™ Series sinks feature a 25-year "NO HASSLE" LIMITED WARRANTY to be free of all manufacturing defects under normal use. See our complete warranty for details.

While Blanco America endeavors to provide accurate information, all dimensions are nominal, cannot be guaranteed, and are subject to change or cancellation. Blanco America assumes no responsibility for use of superseded or voided specifications.

PRODUCT SPECIFICATION

Drop-In sink to be 1-1/2 bowl design, 33" in length and 22" in front-to-back depth. Sink to be made from 20 gauge, 304 series stainless steel, with 18/8 chrome/nickel content and satin finish. Sink to feature rear drain placement in large bowl and straight bowl sides with 1-1/2" cutout corner radius. Sink to be Blanco Model 501-107, with large bowl depth of 7-1/4" and small bowl depth of 5-1/4". Additional knockout hole locations: _____.

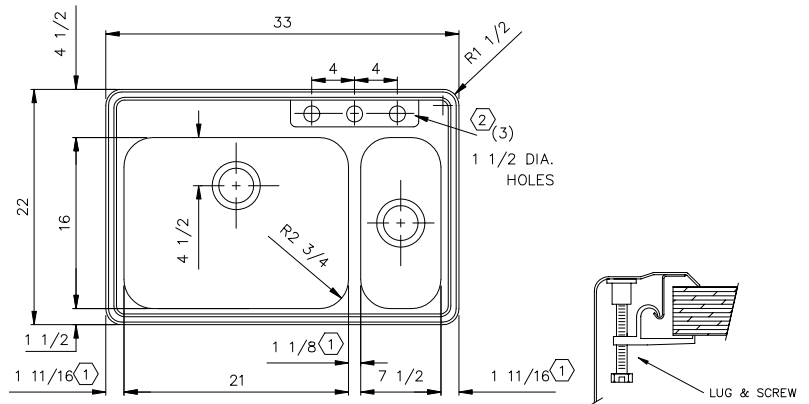


MODEL 501-107

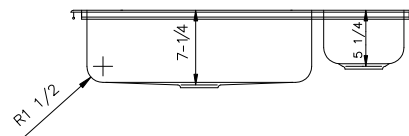
NOMINAL DIMENSIONS

MODEL	OVERALL	CUTOUT SIZE	BOWL DEPTH LEFT	BOWL DEPTH RIGHT	DRAIN DIAMETER
501-107	33 x 22	32-1/4 x 21-1/4	7-1/4	5-1/4	3-1/2

DXF cutout templates available on our web site or this specification CD.



SECTION THRU FLANGE
 MAKE CUTOUT ACCURATELY 3/4" LESS IN WIDTH AND IN LENGTH THAN OVERALL DIMENSIONS. CORNERS OF CUTOUT TO BE A 1 1/2" RADIUS.



JOB INFORMATION

Job Name: _____

Contact: _____

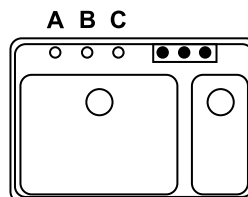
Date Specified: _____

Specifier: _____

Contractor: _____

KNOCKOUT HOLE LOCATIONS

Pre-drilled for three faucet holes.



BLANCO AMERICA
800.451.5782
www.blancoamerica.com

© 2006 BLANCO AMERICA
 05/06 SPEC-003