

FEATURED MODEL

157-068-CR BLANCORADOS TRADITIONAL™ Bar
Faucet in Polished Chrome

ADDITIONAL MODELS

157-068-ST Stainless (Satin Nickel)

FEATURES

- Solid brass body
- Ceramic disc cartridge
- Extra long supply lines
- 2.2 G.P.M. flow rate
- Installation in a 1-3/8" hole

CODE/STANDARDS COMPLIANCE

ASME A112.18.1M-2003
IAPMO Listed

WARRANTY

Blanco America's Bar faucets feature a "NO HASSLE" LIMITED LIFETIME WARRANTY to be free of all manufacturing defects under normal use. See our complete warranty for details.

While Blanco America endeavors to provide accurate information, all dimensions are nominal, cannot be guaranteed, and are subject to change or cancellation. Blanco America assumes no responsibility for use of superseded or voided specifications.

PRODUCT SPECIFICATION

Bar faucet to include solid brass body with lever handle and hi-arc spout. Faucet dimensions to be as follows: Reach: 7"; Spout Height: 9-1/2". Reversible mounting hardware to adapt to thick or thin mounting surfaces. Bar faucet to be BLANCORADOS TRADITIONAL™, Model 157-068-_____ in _____ finish.

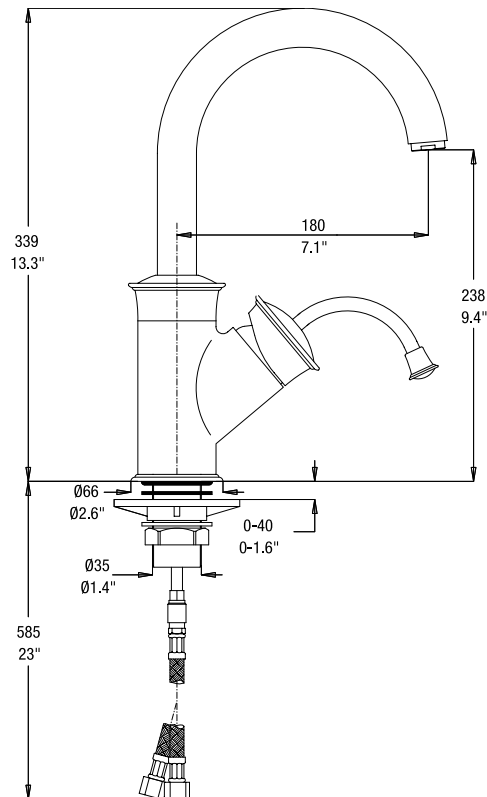
- Polished Chrome 157-068-CR
- Stainless (Satin Nickel) 157-068-ST



MODEL 157-068

NOMINAL DIMENSIONS

MODEL	REACH	SPOUT HEIGHT	FAUCET HEIGHT
157-068	7	9-1/2	13-1/8



See next page for exploded parts drawing and parts list.

JOB INFORMATION

Job Name: _____

Contact: _____

Date Specified: _____

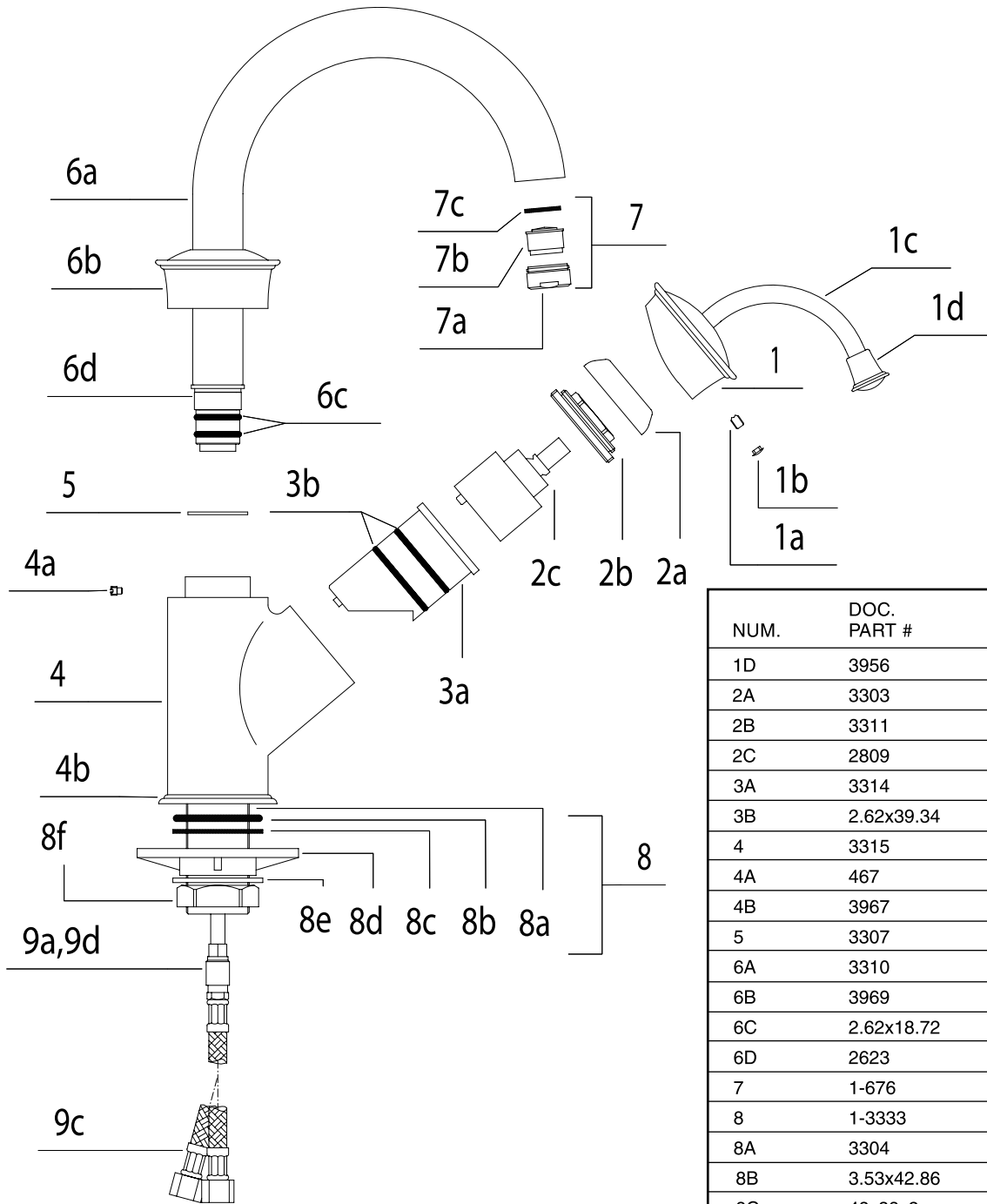
Specifier: _____

Contractor: _____

BLANCO AMERICA
800.451.5782
www.blancoamerica.com

BLANCORADOS TRADITIONAL™

MODEL 157-068



NUM.	DOC. PART #	DESCRIPTION
1D	3956	KNOB
2A	3303	CAP
2B	3311	NUT
2C	2809	CARTRIDGE
3A	3314	INSERT
3B	2.62x39.34	O-RING
4	3315	BODY
4A	467	SCREW
4B	3967	BASE
5	3307	TEFLON RING
6A	3310	SPOUT
6B	3969	CAP
6C	2.62x18.72	O-RING
6D	2623	TEFLON RING
7	1-676	AERATOR SET
8	1-3333	MOUNTING NUT ASSY
8A	3304	MOUNTING SLEEVE
8B	3.53x42.86	O-RING
8C	48x38x2	RUBBER WASHER
8D	3109	PLASTIC BASE
8E	2258	METAL WASHER
8F	3333	NUT
9A	3326	EXTENTION OUTLET
9B	1.78x7.94	O-RING
9C	2350	HOSE

NUM.	DOC. PART #	DESCRIPTION
1	3965	HANDLE BASE
1A	2058	SCREW
1B	1270	BUTTON
1C	3966	STICK