

FEATURED MODEL

157-010-CR BLANCOHARVEST™ Bar Faucet in Polished Chrome

ADDITIONAL MODELS

157-010-ST Stainless (Satin Nickel)

FEATURES

- Solid brass body
- Ceramic disc cartridge
- 2.2 G.P.M. flow rate
- Extra long supply lines
- Installation in a 1-3/8" hole

CODE/STANDARDS COMPLIANCE

ASME A112.18.1M-2003

IAPMO Listed

WARRANTY

Blanco America's Bar faucets feature a "NO HASSLE" LIMITED LIFETIME WARRANTY to be free of all manufacturing defects under normal use. See our complete warranty for details.

While Blanco America endeavors to provide accurate information, all dimensions are nominal, cannot be guaranteed, and are subject to change or cancellation. Blanco America assumes no responsibility for use of superseded or voided specifications.

PRODUCT SPECIFICATION

Bar faucet to include lever handle with solid brass body, and ceramic disc cartridge. Faucet dimensions to be as follows: Reach: 7"; Spout Height: 3-1/8". Bar faucet to be BLANCOHARVEST™, Model 157-010-_____in _____ finish.

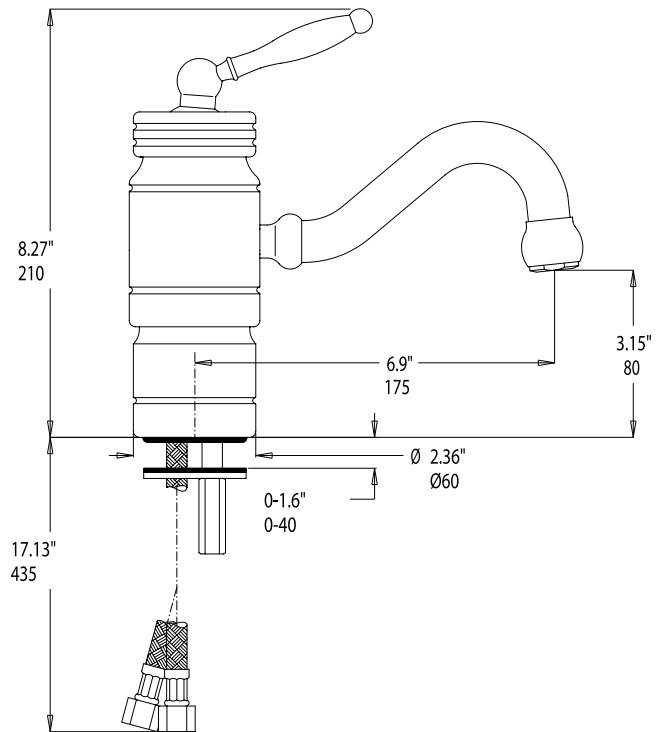
- Polished Chrome 157-010-CR
- Stainless (Satin Nickel) 157-010-ST



MODEL 157-010

NOMINAL DIMENSIONS

MODEL	REACH	SPOUT HEIGHT	FAUCET HEIGHT
157-010	7	3-1/8	8-1/4



See next page for exploded parts drawing and parts list.

JOB INFORMATION

Job Name: _____

Contact: _____

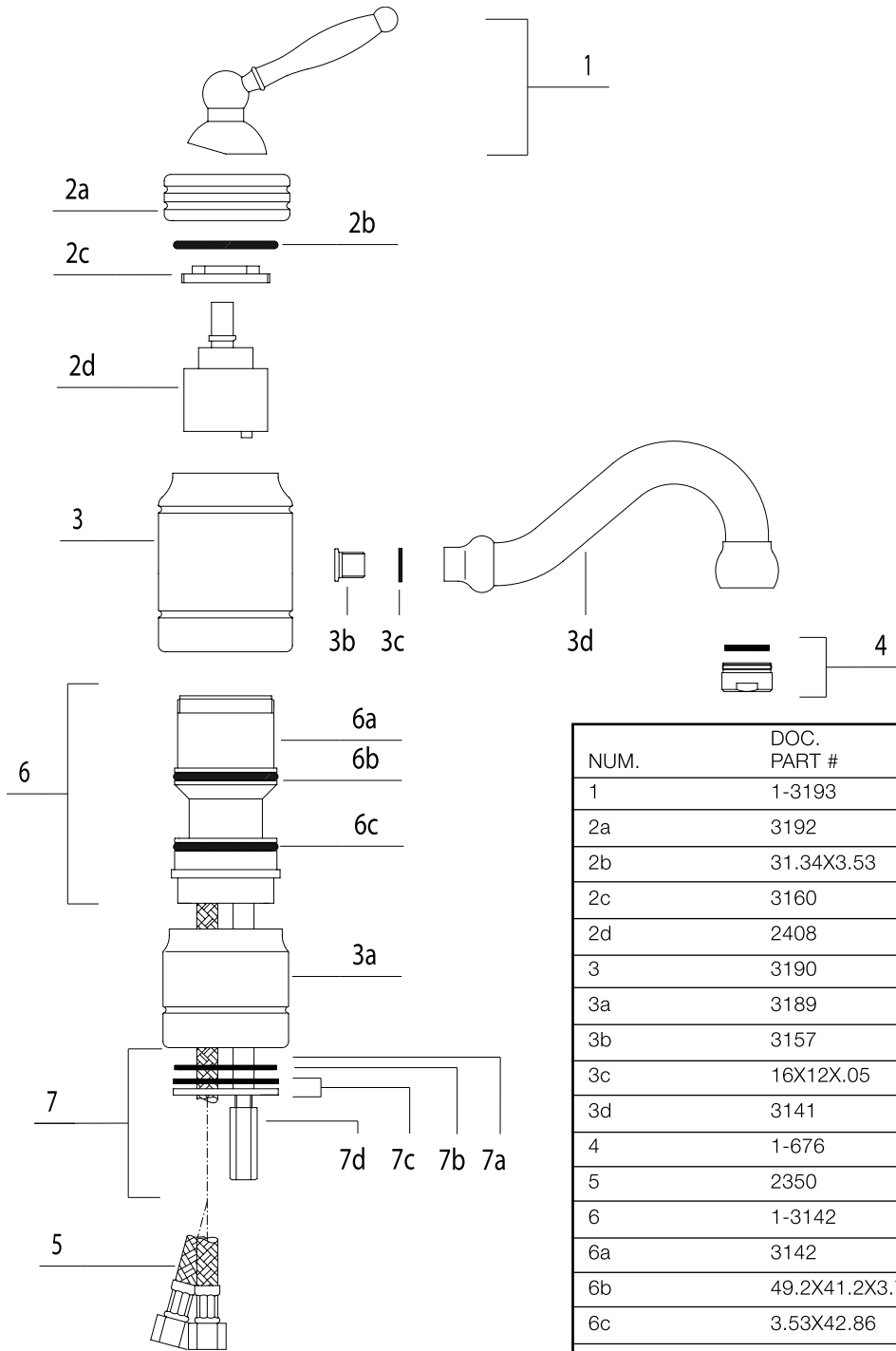
Date Specified: _____

Specifier: _____

Contractor: _____

BLANCO AMERICA
800.451.5782
www.blancoamerica.com

BLANCOHARVEST™ MODEL 157-010



NUM.	DOC. PART #	DESCRIPTION
1	1-3193	LEVER ASSY
2a	3192	CAP
2b	31.34X3.53	O'RING
2c	3160	NUT
2d	2408	CARTRIDGE
3	3190	BODY
3a	3189	BASE
3b	3157	NIPPLE
3c	16X12X.05	FIBER
3d	3141	SPOUT
4	1-676	AERATOR SET
5	2350	HOSE
6	1-3142	INNER BODY ASSY
6a	3142	INNER BODY
6b	49.2X41.2X3.7	V'RING
6c	3.53X42.86	O'RING
7	1-2105	MOUNTING NUT ASSY
7a	3144	SCREW
7b	48X34X2	RUBBER WASHER
7c	2845	METAL WASHER
7d	2105	NUT