

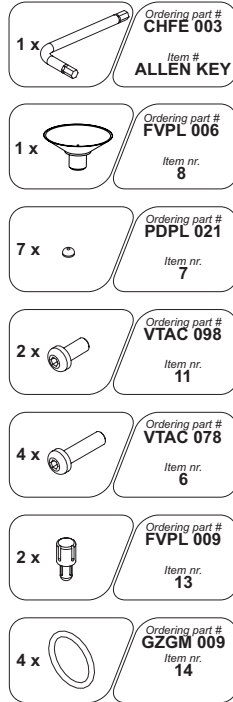
# AVS-522

## ASSEMBLY INSTRUCTIONS



**Bell'O International Corp.**

711 Ginesi Drive  
Morganville, NJ 07751-1235  
Customer Service: (888) 235-7646  
E-mail: support@bello.com  
Web: www.bello.com



NOTE: Two people are recommended to assemble this unit.

- A. PLACE the rear CMS® (Cable Management System) post (3) upright on the floor with the shelf slot facing towards the front as shown in Fig. 1.
- B. ALIGN the two holes located on the lower rear support bar ends of the CMS® post with the matching holes located towards the rear of the bottom LEFT side frame (1). INSERT two long screws (6) and SECURE the side frame (1) to the CMS® post bar (3) using the supplied Allen wrench, as shown in Fig. 1. DO NOT FULLY TIGHTEN THE SCREWS.

- C. SELECT the round shelf support bar (4b), identified by the threaded metal inserts located near both ends. PLACE two "O" rings (14) onto the ends of the round shelf support bar (4b) and position them approximately 3" from each end. INSERT support bar (4b) into the hole located in the middle of the upright portion of the inside LEFT side frame (1), making sure that the threaded insert is facing towards the rear of the table and is ALIGNED with the hole in the rear of the LEFT side frame. SECURE it to the LEFT side frame, from the rear, using one short screw (11) and the supplied Allen wrench, as shown in Fig. 2. DO NOT FULLY TIGHTEN THE SCREW.

- D. PLACE two "O" rings (14) onto the ends of the second round shelf support bar (4a) (the one without the threaded inserts) and position them approximately 3" from each end. INSERT the second round shelf support bar (4a), into the hole located on the upright portion of the inside bottom of the LEFT side frame (1). INSERT the upper front support bar (5) into the cut out slot located on top of the LEFT side frame so that the notches at the end of the bar are facing up as shown in Fig. 1.

- E. REPEAT steps B, C and D above for the RIGHT side frame (2). DO NOT FULLY TIGHTEN THE SCREWS.

- F. PLACE the glass pads (7) onto the upper front support bar (5), the top of the upright side frames (1) and (2), and the center of the CMS® post (3), as shown in Fig. 1. INSERT the two rubber suction cups (8) into holes located on the rear support bar of the CMS® post (3).

- G. GO BACK AND FULLY TIGHTEN all of the screws to secure the side frames (1) and (2) and the CMS® post bar (3) using the supplied Allen wrench.

- H. MOVE the assembled stand into the position it will occupy in the room PRIOR to adding the glass shelves, TV, or other equipment.

- I. CAREFULLY PLACE the bottom (middle sized) shelf (9) into position with the glass shelf locking pin hole facing the rear of the shelf and inserted through the bottom slot of the CMS® post (3). LOCK the glass shelf in place, from the inside of the CMS® post, using the supplied plastic shelf locking pin (13) as shown in Fig. 3.

- J. CAREFULLY PLACE the center (smallest sized) shelf (10) into position with the glass shelf locking pin hole facing the rear of the shelf and inserted through the middle slot of the CMS® post (3). LOCK the glass shelf in place, from the inside of the CMS® post, using the supplied plastic shelf locking pin (13) as shown in Fig. 3.

- K. CAREFULLY PLACE the top (largest sized) shelf (12) into position so that it is evenly centered, and resting on the top front of the side frames, rear support bar and top of the CMS® post (3). PRESS DOWN GENTLY to secure the top glass shelf to the furniture.

NOTE: THE SUCTION CUPS WILL HELP PREVENT THE TOP GLASS FROM BEING MOVED. TO REMOVE THE TOP GLASS, GENTLY PULL THE TABS ON THE SIDE OF THE SUCTION CUPS DOWNWARD TO RELIEVE THE SUCTION.

IMPORTANT: REMOVE ALL GLASS, TV AND OTHER EQUIPMENT FROM THE STAND PRIOR TO MOVING THE ASSEMBLED UNIT. DO NOT ATTEMPT TO MOVE THE ASSEMBLED STAND AFTER THE GLASS SHELVES HAVE BEEN INSTALLED, AND/OR WHEN THERE IS EQUIPMENT LOCATED ON THE STAND AS THIS MAY CAUSE THE SHELVES TO BECOME UNSECURE AND FALL. MAKE SURE THAT THE FRONT OF THE TV IS POSITIONED A FEW INCHES BACK FROM THE FRONT OF THE TOP GLASS. WHEN IN USE, THIS FURNITURE MUST BE PLACED ON A FLAT AND LEVEL SURFACE. ALWAYS PLACE THE HEAVIEST EQUIPMENT ON THE BOTTOM SHELF.

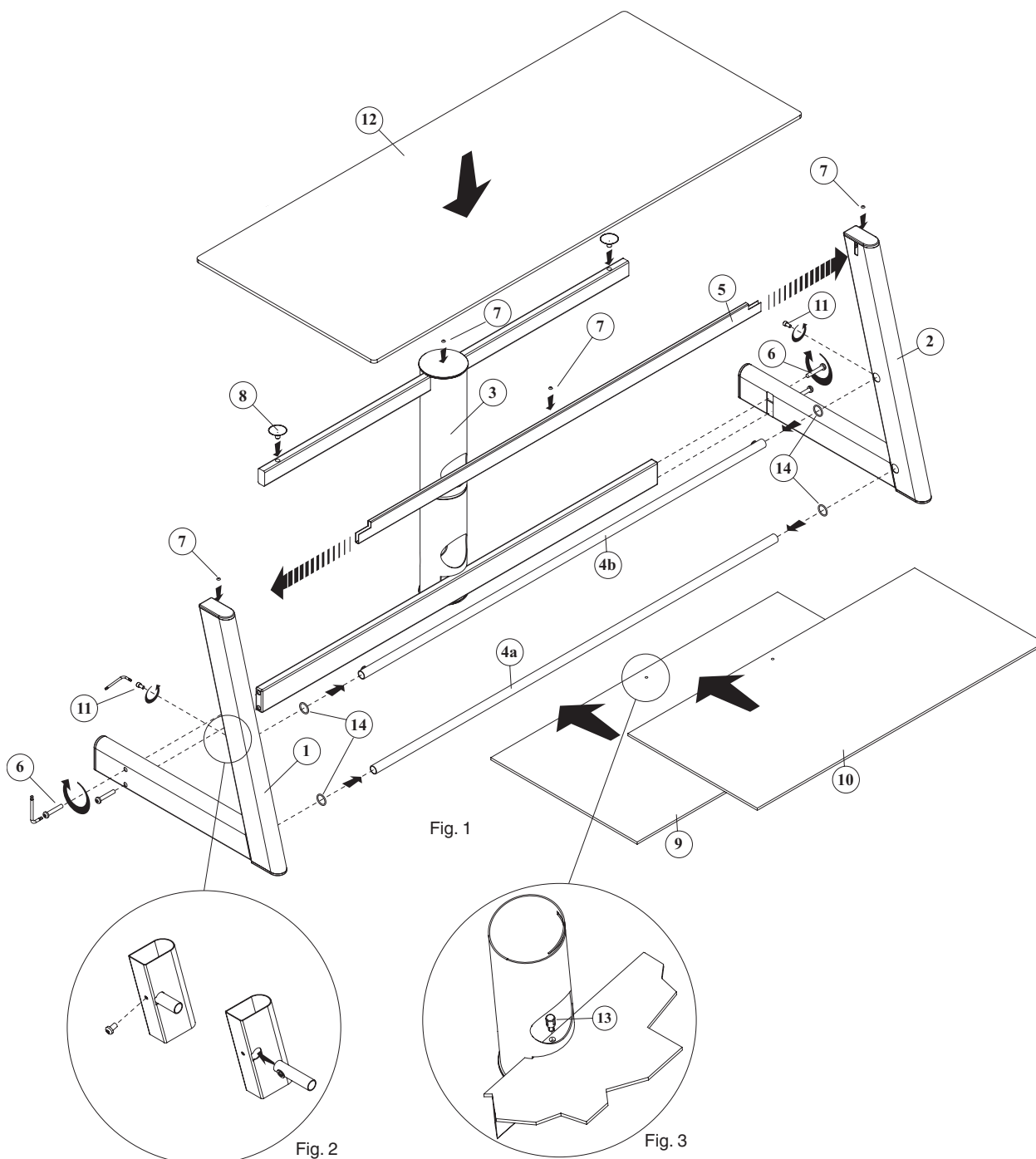


Fig. 1

Fig. 2

Fig. 3