

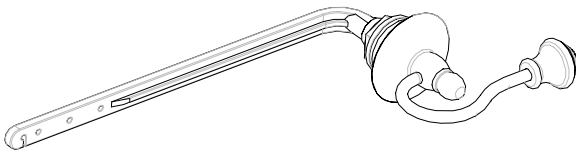


NFL01

FLUSH LEVER HANDLE

Product Features

- Coordinates with Belle Forêt faucets
- Fits most standard toilets with front mount flush levers
- Mounting hardware and instruction included

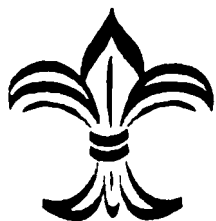


Available Finishes

- Chrome
- Polished Brass
- Stainless Steel
- Oil Rubbed Bronze
- Matte Nickel
- Weathered Copper

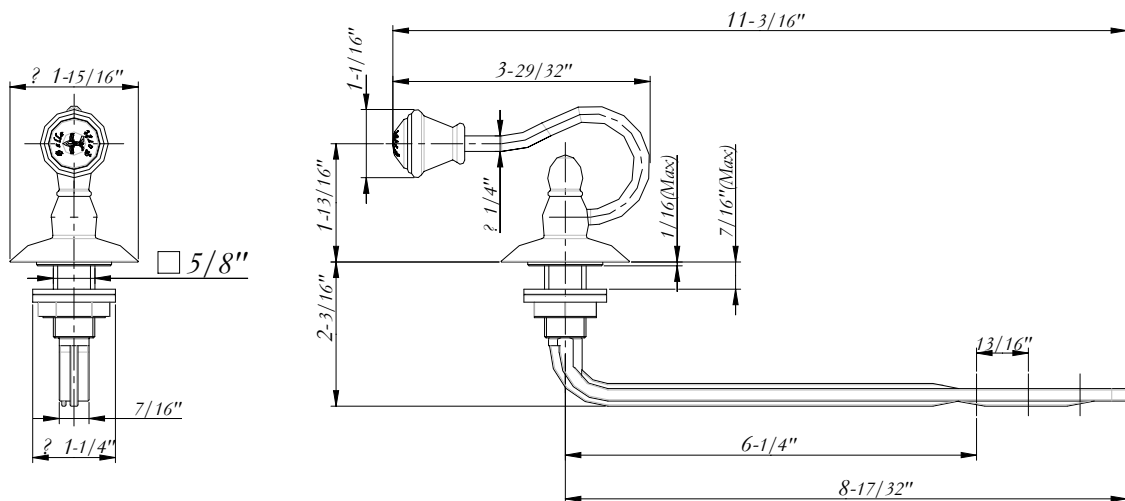
PRODUCT SPECIFICATION:

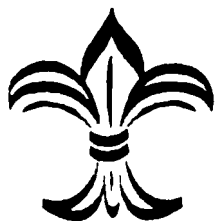
Flush lever handle fits most standard toilets with front mount flush levers. Product shall be Belle Forêt model NFL01 ____.



Belle Forêt
collection

NFL01 FLUSH LEVER HANDLE

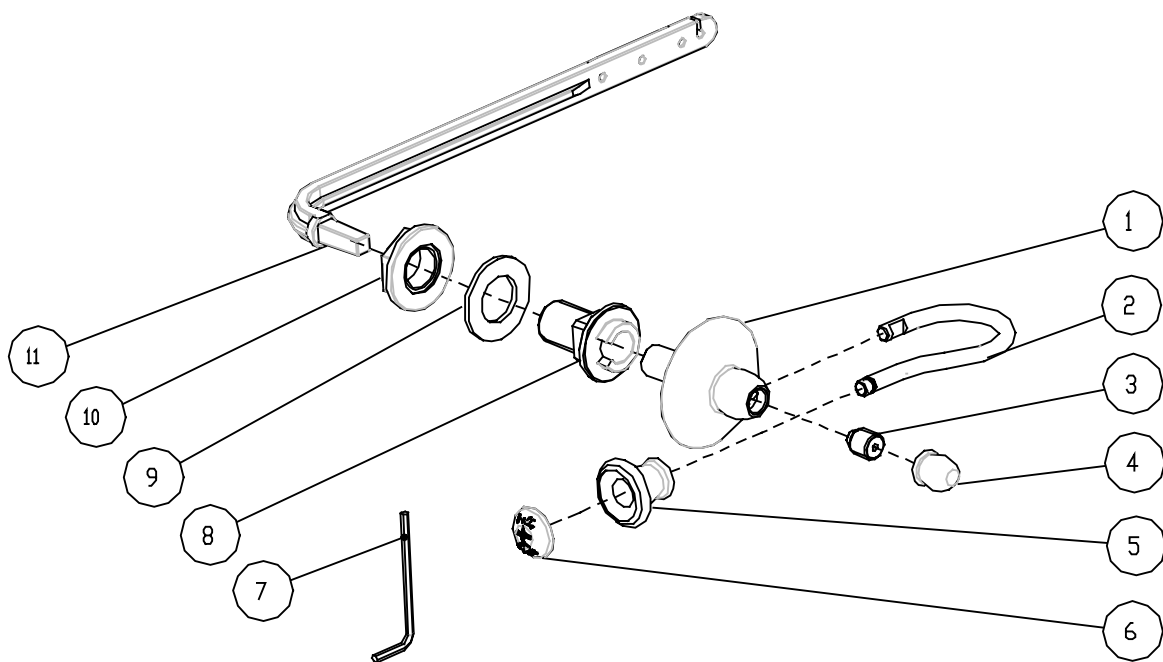


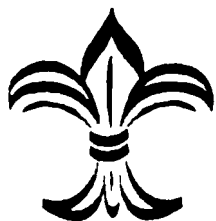


Belle Forêt
collection

NFL01 FLUSH LEVER HANDLE

EXPANDED DRAWING





Belle Forêt
collection

NFL01

FLUSH LEVER HANDLE

PARTS LISTING

No	Part Name	Part Kit#	Q'ty
1	Canopy	034957xx	1
2	Spiral wire	667452xx	1
3	Set screw		1
4	Knob		1
5	Index		1
6	Proc. Index		1
7	Allen wrench		1
8	Base		215284
9	Washer	010532	1
10	Nut	009882	1
11	Lift rod	125348	1

xx designates finish matched parts.