

Instructions for Sierra/Mystiq Style Vanity, Basin Units and Faucet.

Tools Needed



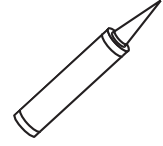
*Channel Lock Wrench



*Phillips Head Screwdriver



*Mallet/Hammer



*Silicone Sealant Caulk

*not included



Sierra

Box 1 STK# 33387
Box 2 STK# 33388



Mystiq

Box 1 STK# 33389
Box 2 STK# 33390

Please read these instructions carefully before beginning installation. Remove all components from the box to verify that you have all required parts. Please treat the panels with care to avoid scratching. Do not place panels directly on the ground while assembling the cabinet. We recommend using a soft material such as cardboard to place between the panel and the ground.

CAUTION: PRODUCT IS FRAGILE. TO AVOID BREAKAGE AND POSSIBLE INJURY HANDLE WITH CARE!



Form. Function. Style.

Parts List

A - Faucet	Qty: 1	
B - Basin	Qty: 1	
C - Side panel	Qty: 2	
D - Counter top	Qty: 1	
E - Front panel	Qty: 1	
F - Back panel	Qty: 1	
G - Bottom panel	Qty: 1	
H - Supporting panel	Qty: 2	
I - Lock bolt	Qty: 14	
J - Locking ring	Qty: 14	
K - Plastic cover	Qty: 14	
L - Dowel	Qty: 6	
M - Door	Qty: 2	
N - Hinge	Qty: 2	
O - Hinge screws	Qty: 8	
P - Door handle	Qty: 2	
Q - Door handle screws	Qty: 2	
R - Backsplash	Qty: 1	
S - Allen Wrench	Qty: 1	
T - Drain Assembly	Qty: 1	

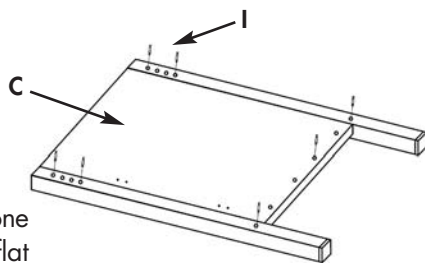
For immediate assistance on missing or damage parts, please call: 1-800-372-7830

PART 1 Instructions for Sierra/Mystiq Base Unit

ATTENTION: Please treat the panels with care to avoid scratching and do not put them directly on the ground while assembling the cabinet. We recommend using a soft material such as cardboard to be placed between the panels and the ground. For immediate assistance on missing or damaged parts, please call: 1-800-372-7830

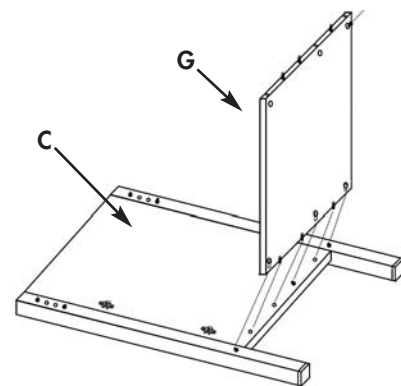
⚠ CAUTION: PRODUCT IS FRAGILE. TO AVOID BREAKAGE AND POSSIBLE INJURY HANDLE WITH CARE!

①



Prepare side panels: Place one side panel (C) on a flat surface, using a soft material to protect the panel. Screw 4 lock bolts (I) into the plastic sleeves on the side panel (C). Repeat this step on the other side panel.

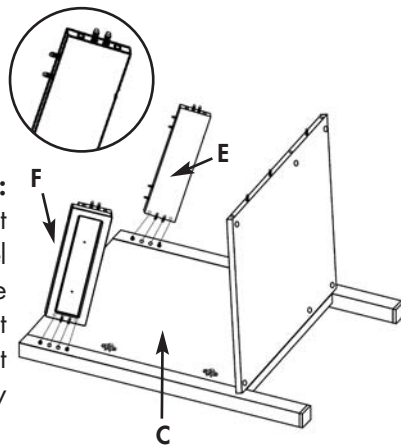
②



Attach bottom panel: Align the holes of the bottom panel (G) with the corresponding holes in the side panel (C). Push the bottom panel (G) against the side panel (C).

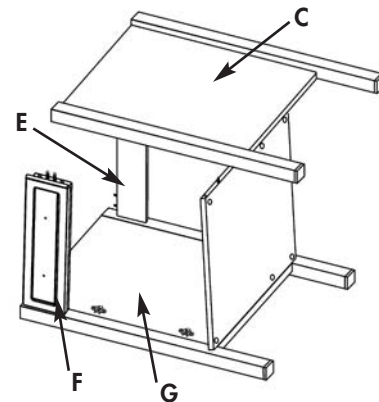
③

NOTE: MAKE SURE DOWELS FACE UPWARD.



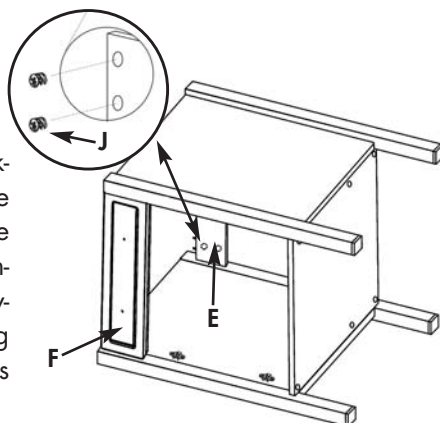
Attach front and back panels: Align the dowels from the front panel (E) and the back panel (F) with the holes on one of the side panels (C). Push the front (E) and back (F) panels against the side panel (C) until they touch the side panel (C).

④



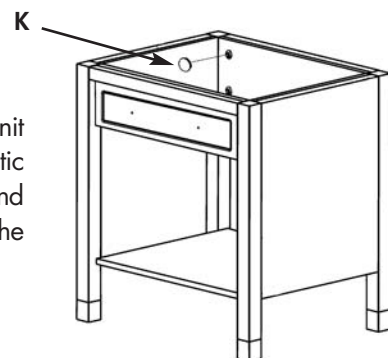
Attach the second side panel (C): Place the second side panel (C) on top of the front (E), back (F) and bottom (G) panels and align the dowels and bolts with the holes. Press the second side panel (C) against the other panels.

⑤



Insert locking rings (J): Place locking rings (J) in all the corresponding holes in the front (E) and back (F) panels. Using a Phillips screwdriver, turn each locking ring clockwise 180 degrees to tighten.

⑥

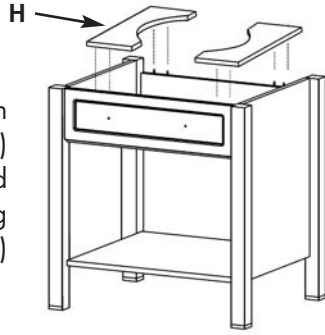


Insert covers (K): Stand the unit upright and insert the plastic covers (K) into the front (E) and back (F) panels to cover the locking rings (J).

7

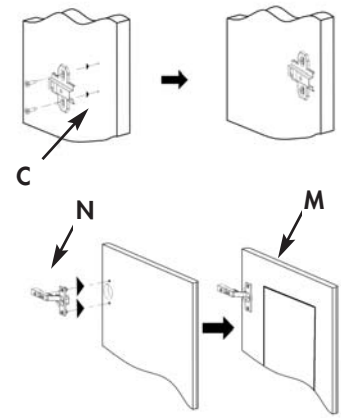
NOTE: WIDER OPENING FACES FRONT OF VANITY.

Insert supporting panels (H): Align the holes in the supporting panels (H) with the dowels from the front (E) and back (F) panels. Press the supporting panels (H) down against the front (E) and back (F) panels.



8

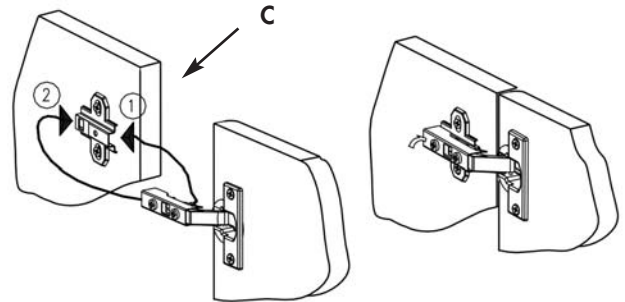
Install Hinge Base to side panels (C): Secure the hinge bases into the pre-drilled holes of side panels (C) using the screws provided.



Install Hinge to door panel: Press the hinge (N) into the pre-drilled holes of the door panel and secure with hinge screws.

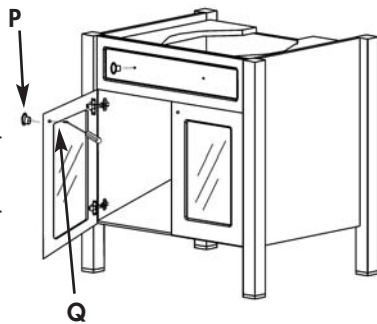
9

Connect door panel hinge: Clip the first hinge to the hinge base on side panel (C). Then, using your fingers press the second hinge lightly onto the second hinge base. You will hear a soft click. Hinge is now installed successfully.



10

Attach door handles (P) Insert the door handle screws (Q) and attach the door handles (P).



11

Install basin (B): Ensure that the overflow hole is at the front of the basin (facing the faucet). Carefully set the basin (B) on the counter top and make sure that it is aligned evenly around the counter top. **Apply a bead of silicone around the top edge of the basin.**



12

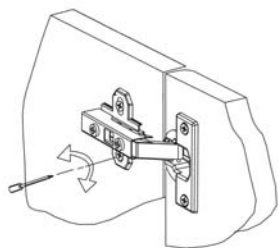
Install counter top (D): **NOTE: ONCE YOU HAVE SET THE COUNTER TOP, YOU WILL NOT BE ABLE TO MOVE IT.** Apply a bead of silicone around the top edge of the cabinet. With another person's assistance, carefully place the counter top (D) on the cabinet and basin, and make sure that it is aligned evenly around the cabinet. Press down on the counter top (D) on each side to secure it to the cabinet. Wipe any excess silicone away with a wet cloth.



NOTE: WE RECOMMEND INSTALLING THE FAUCET PRIOR TO PUTTING UNIT INTO ITS FINAL POSITION.

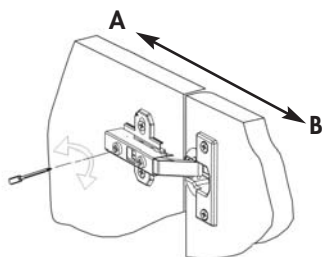
Hinge Adjustment

①



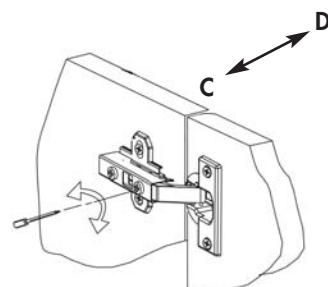
Height Adjustment: Loosen the screws holding down the hinge base, move the door up or down as needed, and then tighten the screws after the adjustment.

②



Gap In-Between Doors: Turn the screw as in the picture using a screwdriver. By turning right, the door will move to B; by turning left, the door will move to A.

③



Door Closure: Turn the screw as in the picture using a screwdriver. By turning right, the door will move to B; by turning left, the door will move to D.

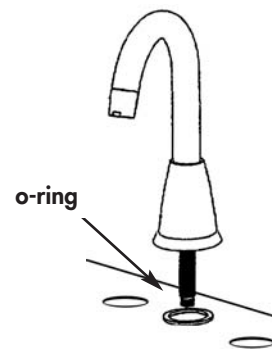
PART 2 Faucet Installation Instructions

①



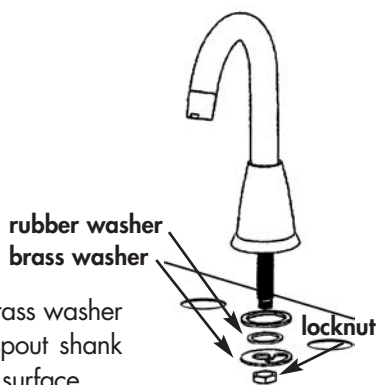
Prep Spout Assembly Remove the brass locking nut, rubber washer and o-ring. Unscrew T-connector and washer.

②



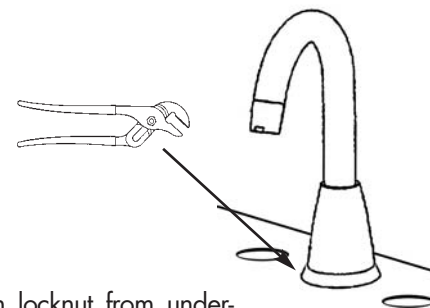
Install O-ring between base of spout assembly and the center hole of the basin or countertop.

③



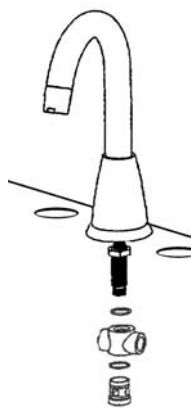
Assemble the rubber washer, brass washer and lock nut onto threads of spout shank from the underside of mounting surface.

④



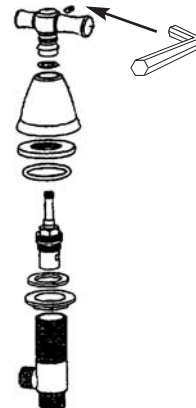
Align spout and tighten locknut from underneath with wrench until spout is secure.

⑤



Attach T-connector with washer to spout assembly and tighten. T-Connector should be parallel with the hot and cold ends.

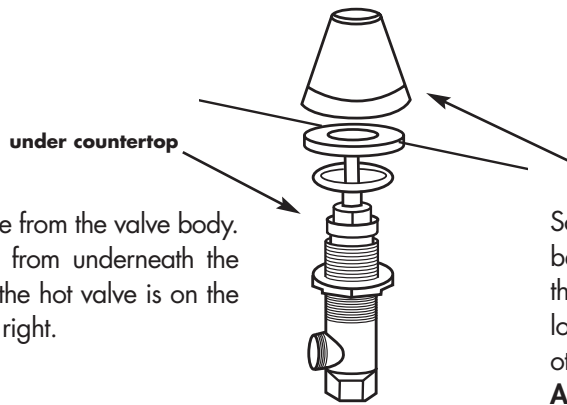
⑥



Prep Valves & Handles Remove the handles from the valve body by loosening the set screws with the allen wrench provided.

PART 2 Faucet Installation Instruction cont.

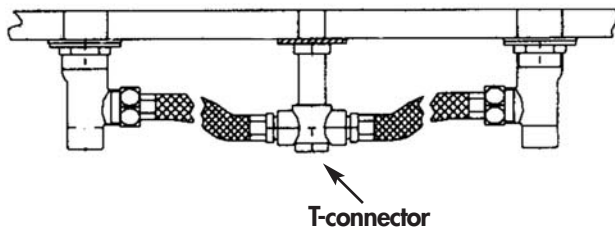
7



Unscrew the bell flange from the valve body. Install the valve body from underneath the sink making sure that the hot valve is on the left and cold is on the right.

Screw the bell flange onto the valve body with rubber gasket between the bell flange and the basin or countertop. Adjust for the basin or countertop thickness by raising the valve through loosening the bell flange and tightening the lock nut. (Repeat for other valve). **NOTE: MAKE SURE THE WATER OUTLET IS FACING AND PARALLEL TO THE T-CONNECTOR.**

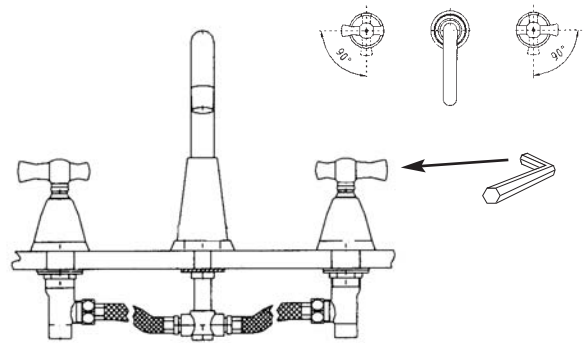
8



T-connector

Connect the supply hoses to each side of the T-connector first, then connect the supply lines to valve bodies.

9



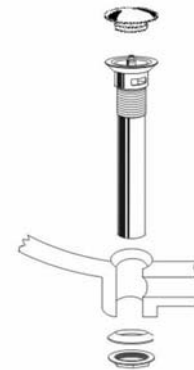
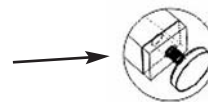
Reattach handles with the set screws and Allen wrench provided. Make sure handles turn 90° degrees.

PART 3 Drain Assembly Installation Instructions

1

NOTE: POSITION VANITY IN ITS FINAL LOCATION AND LOOSEN ALL DRAIN CONNECTIONS FOR EXISTING PLUMBING. LEVEL BASE UNIT'S HEIGHT BY USING ADJUSTABLE FEET.

Prep Drain assembly: Remove the brass locking nuts and washers from drain assembly.
Install drain body in the basin: Slide drain into hole in basin with thin rubber gasket between the drain assembly and the top of the basin.

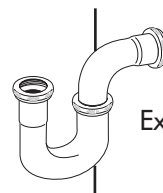


2

Install the washer, packing and nut on the drain body. Hand-tighten the drain nut. Slide on existing joints nut and washer from existing drain. Connect the drain assembly to the waste line. Hand-tighten all joint to check alignment. **NOTE: IT MAY BE NECESSARY TO SHORTEN THE TAILPIECE TO ENSURE PROPER FIT.**



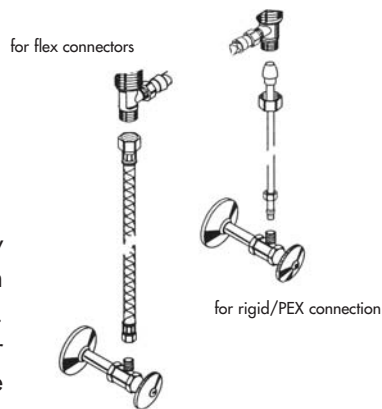
Once drain is properly fitted, using channel lock pliers to tighten the drain nut and washer to seal drain. **NOTE: DO NOT OVER TIGHTEN, BASIN COULD CRACK. TIGHTEN ALL REMAINING DRAIN JOINTS.**



Existing waste drain assembly

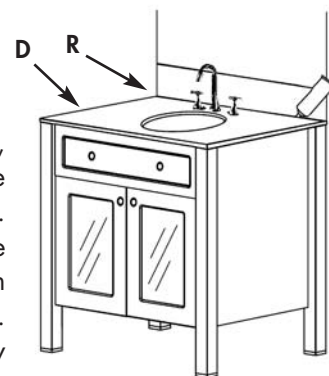
3

Connect hot and cold supply lines (not supplied) between the faucet and shut off valves. Turn water on and test for leaks. Tighten joints where leaks occur.



4

Optional
Install backsplash (R): If desired, install the backsplash on the back of the counter top (D). Apply a bead of silicone to the unfinished side of the backsplash (R) and set it on the counter top. Press firmly to seal. Wipe away any excess silicone with a wet cloth.



Warranty

BATH20 Vanity One-Year Limited Warranty

If inspection of this BATH20 Vanity within one year after its initial purchase confirms that it is defective in materials or workmanship, BATH20 will repair, or at its option, exchange the product for a similar model.

This warranty does not apply to local building code compliance. Since local building codes vary considerably, the purchaser of this product should check with local building or plumbing contractors to ensure local code compliance before installation.

This warranty will be void if:

- the product has been moved from its initial place of installation
- it has been subjected to faulty maintenance, abuse, misuse, accident or other damage
- it was not installed according to BATH20's instructions
- or if it has been modified in a manner inconsistent with the product as shipped by BATH20

BATH20's option to repair or exchange the product under this warranty does not cover any labor or other costs of removal or installation.

BATH20 will not be liable for any incidental or consequential damages resulting from the product or use of the product.

THIS WARRANTY IS IN LIEU OF ALL OTHER WARRANTIES EXPRESSED OR IMPLIED, INCLUDING BUT NOT LIMITED TO THE IMPLIED WARRANTIES OF MERCHANTABILITY AND FITNESS FOR A PARTICULAR PURPOSE.

Some states do not allow the exclusion or limitation of incidental or consequential damages, so the above limitation or exclusion may not apply to you. This warranty gives you specific legal rights and you may have other rights which vary from state to state.

For service under this warranty, it is suggested that a claim be made through the contractor or dealer from whom the product was purchased.

BATH20®
Danco, Inc.
Boothwyn, PA 19061

BATH20 Lifetime Limited Faucet Warranty

What is covered: For as long as you own the BATH20 faucet, BATH20 will provide free of charge any parts necessary to repair leaking or dripping of the faucet. For one year from the date of purchase, BATH20 will provide any parts necessary to repair any BATH20 faucet that fails due to a defect in material or workmanship other than a defect which causes leaking or dripping or damage to the decorator finish. For one year from the date of purchase, BATH20 will provide any parts necessary to repair a faucet that has a defect in material or workmanship of the decorator finish. At its option, BATH20 will provide a full refund of the purchase price.

What the purchaser must do: Mail the proof of purchase and a written statement describing the defect to BATH20 within 30 days of the discovery of the defect.

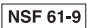
What is not covered: BATH20 will have no obligation under this warranty for leaks or damage caused by abuse, misuse, improper installation, unauthorized repair or damage that occurs during shipment.

BATH20 will not be liable for any incidental or consequential damages resulting from the product or use of the product.

THIS WARRANTY IS IN LIEU OF ALL OTHER WARRANTIES EXPRESSED OR IMPLIED, INCLUDING BUT NOT LIMITED TO THE IMPLIED WARRANTIES OF MERCHANTABILITY AND FITNESS FOR A PARTICULAR PURPOSE.

Some states do not allow the exclusion or limitation of incidental or consequential damages, so the above limitation or exclusion may not apply to you. This warranty gives you specific legal rights and you may have other rights which vary from state to state.

Customer Service Department
BATH20®
Danco, Inc.
23 Creek Circle, Suite 300
Boothwyn, PA 19061

All BATH20™ Vanities have been independently tested by OnSpeX™ to quality specifications of Danco, Inc. BATH20™ Faucets meet the requirements of NSF 61-9. 

Made in China © 2005 Danco, Inc Boothwyn PA 19061. BATH20™ is a registered trademark of Danco, Inc
www.BATH20.com

