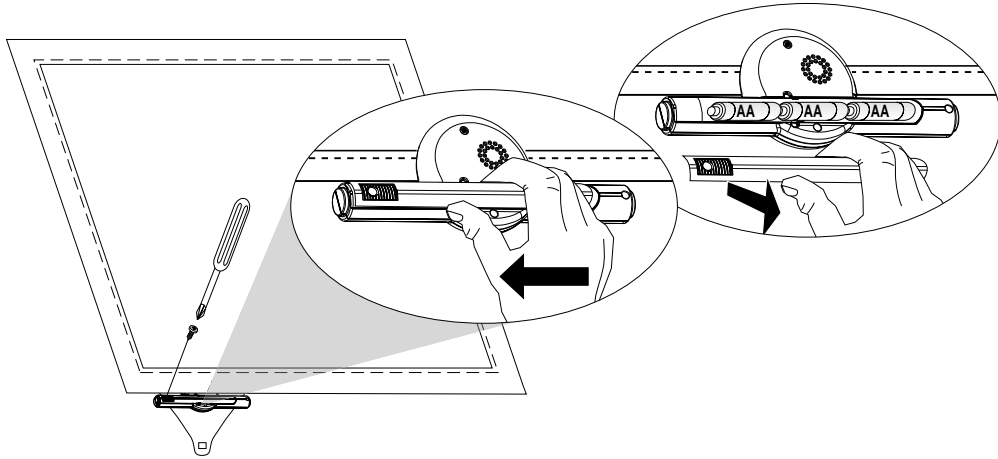


Changing the Batteries of the Lights & Music Touch Pad

1. Make sure the music box is in the "Off" position.
2. Open the cloth flap covering the music box, and using a Phillips or cross-head screwdriver, open and remove the cover of the battery compartment.
3. Insert three new AA (1.5 v) alkaline batteries.
4. Replace the cover and tighten the screw firmly making sure it is well sealed.
5. Refit and close the flap over the music box.
6. Remove the batteries for long term storage.



Safety Instructions

1. Batteries should be replaced by adults only.
2. Do not mix old and new batteries.
3. Non-rechargeable batteries are not to be recharged.
4. Rechargeable batteries are to be removed from the toy before being charged.
5. Rechargeable batteries are only to be charged under adult supervision.
6. Do not mix alkaline, standard (carbon-zinc) or rechargeable (nickel-cadmium) batteries.
7. Exhausted batteries are to be removed from the toy.
8. Do not burn batteries. Dispose of batteries in a safe and appropriate manner.
9. Use only batteries of the same or equivalent type as recommended.
10. Batteries are to be inserted with the correct polarity.
11. The supply terminals are not to be short-circuited.

For your child's safety:

Do not modify or alter this product in any way

ENGLISH

TINY LOVE®
SOFT DEVELOPMENTAL TOYS

Model No. 01210

GYMINI® SUPER DELUXE Activity Gym

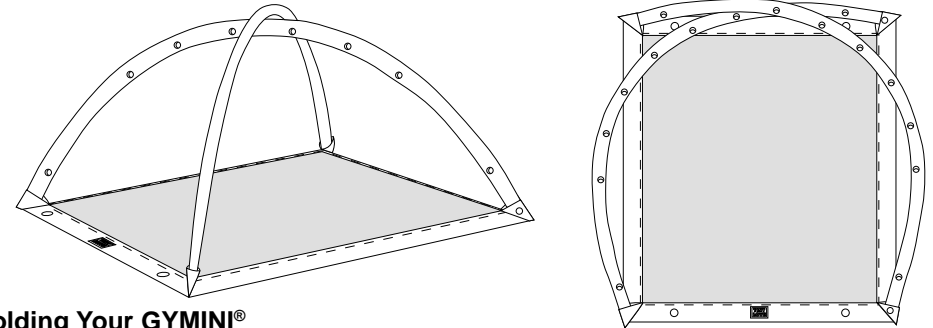
Instructions (Keep for future reference)

Getting Started

Open your GYMINI® by unsnapping the two snaps on each side of the blanket. The GYMINI® will "pop" open and will be ready for play.

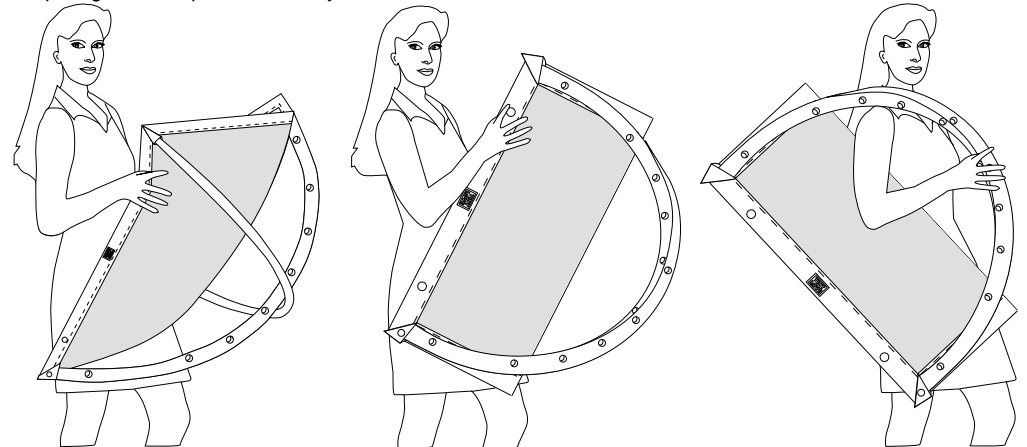
You can lay your baby on tummy or back.

1. When baby is in need of a diaper change, simply unsnap the arches at the top of the GYMINI®, and drop them to the floor.
2. To re-assemble, pull the arches up and snap them back together on top.



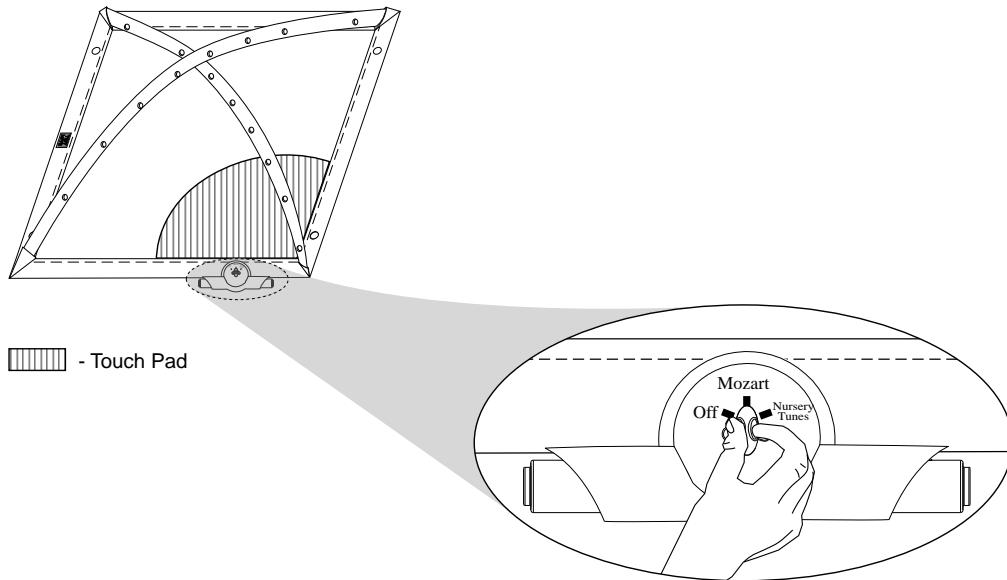
Folding Your GYMINI®

When you want to store your GYMINI®, or take it with you, folding is easy. *Do not unsnap the arches.* With the arches and design side of the blanket facing away from you, simply *fold in half* by bringing the *two sides with the snaps* together, *snap* closed - and you're done.



Operating the Lights & Music Touch Pad

1. Locate the electronic music box attached to the outer edge of the blanket.
2. Select the type of music desired by sliding the switch to either the "Mozart" or "Nursery Tunes" position.
 - Selecting "Mozart" will play 10 minutes of continuous music.
 - Selecting "Nursery Tunes" will play one of 3 different short tunes.
 - The lights will start blinking when the music starts, and will blink only while the music is on.
3. Once the music and lights stop, the music box will play again only when the Touch Pad is pressed.
4. When finished playing with the Lights & Music Touch Pad, slide the switch to the "Off" position.



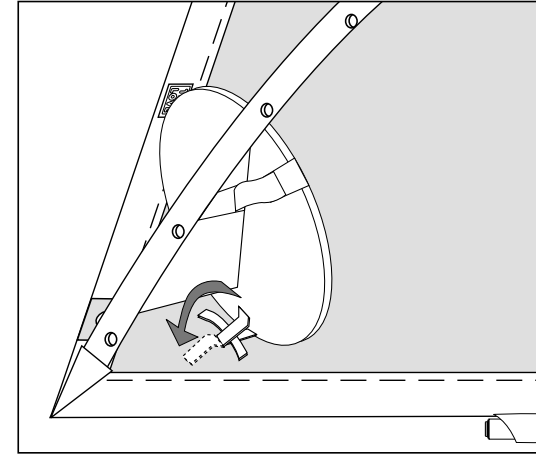
Note: The GYMINI® comes with an independent "try me" function located on the Touch Pad. This was meant for in-store demonstration only and not for every-day home use. "Try Me" works briefly, and only when the music box is in the "Off" position.

Note: The batteries included in this toy are trial batteries (made for trying the toy in the store before purchase) and are not intended for long-term use. We recommend that you change the batteries shortly after taking your GYMINI® home.

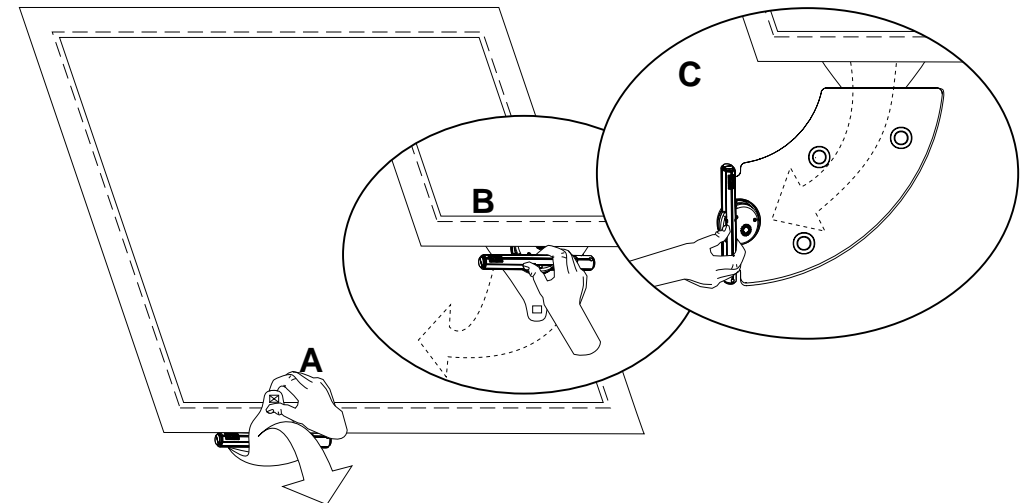
Care and Washing

Note: Only the blanket may be washed. The music box and the Touch Pad contain electronic parts and may not be immersed in water.

1. Release the mirror from the blanket by unfastening the tab in back of the mirror.



2. Now detach the arches from all four corners of the blanket.
3. Remove the electronic unit (the unit includes the music box attached to a curved sheet of plastic with mounted lights) by first detaching the cloth flap covering the music box, and carefully sliding out the whole electronic unit from its special sleeve in the blanket.
4. *Machine wash the blanket in cold water, no bleach, line dry in shade. Do not tumble dry, do not dry clean.*
5. After washing the blanket, carefully re-insert the electronic unit into the special sleeve in the blanket.



6. Pull the flap over the music box and refasten.
7. First reattach the arches to all four corners and then the mirror to the blanket.