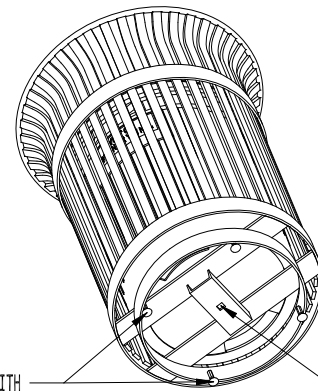
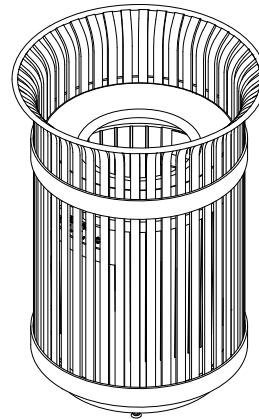
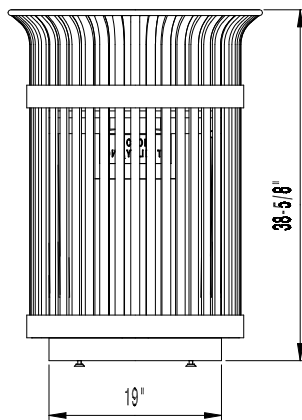
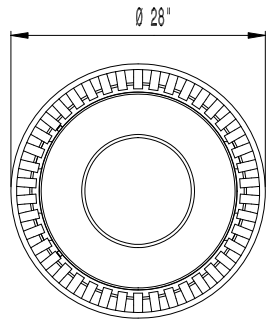




VICTOR STANLEY, INC.®
-Manufacturers of Quality Site Furnishings since 1962-

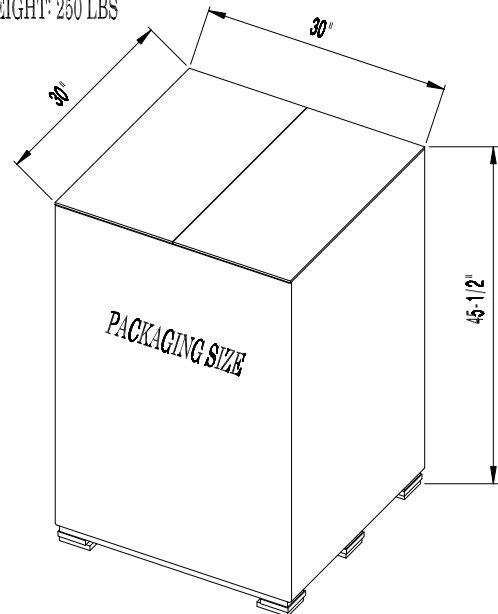
AF FLORENCE
 manufacturing company



(4) ADJUSTABLE GLIDES WITH
 3/8" DIAMETER THREADED STEEL SHAFT

3/4" SQUARE
 ONE INCH ANCHOR
 BOLT HOLE

PACKAGING SIZE: 30" x 30" x 45-1/2"
 SHIPPING WEIGHT: 250 LBS



SECURITY:

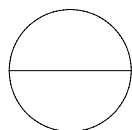
LID IS SECURED WITH VINYL COATED GALVANIZED STEEL AIRCRAFT CABLE. CABLE IS LOOPED AROUND WELDED IN PLACE ATTACHMENT BRACKETS AND CRIMPED IN PLACE. AVAILABLE WITH OPTIONAL MOUNT WITH 3 IN-LINE ANCHOR HOLES AND OPTIONAL BOTTOM PLATE COVER.

INSTALLATION: *GENERAL RULE OF THUMB: PICK, PLACE, LEVEL, & ANCHOR.*

1. USE SPECIAL CARE WHEN POSITIONING TO NOT DAMAGE THE FINISH OF THE RECEPTACLE. DO NOT ROLL ON SIDE, BASE RING, OR FEET. PICK AND SET INTO POSITION.
2. IT IS NOT RECOMMENDED TO LOCATE ANCHOR BOLTS UNTIL RECEPTACLE IS IN PLACE. THIS PRODUCT MUST BE PERMANENTLY AFFIXED TO THE GROUND. CONSULT YOUR LOCAL CODES FOR REGULATIONS.
3. ONCE ANCHOR BOLT(S) ARE IN PLACE, REPLACE RECEPTACLE IN POSITION AND USE LEVELING FEET TO LEVEL.
4. ANCHOR BOLT(S) NOT PROVIDED BY FLORENCE.
5. IT IS IMPORTANT TO REMEMBER TO PICK AND SET RECEPTACLE INTO POSITION. THIS IS TO PROTECT THE FINISH AND LONGEVITY OF THE RECEPTACLE.

NOTES:

1. DRAWINGS NOT TO SCALE. DO NOT SCALE DRAWINGS.
2. THIS PRODUCT IS SHIPPED FULLY ASSEMBLED.



VSFLR36

FLORENCE SERIES

36-GALLON LITTER RECEPTACLE

AF FLORENCE
 manufacturing company

5935 Corporate Drive • Manhattan, KS 66503
 www.aufh-florence.com • (800) 275-1747

A GIBRALTAR INDUSTRIES COMPANY