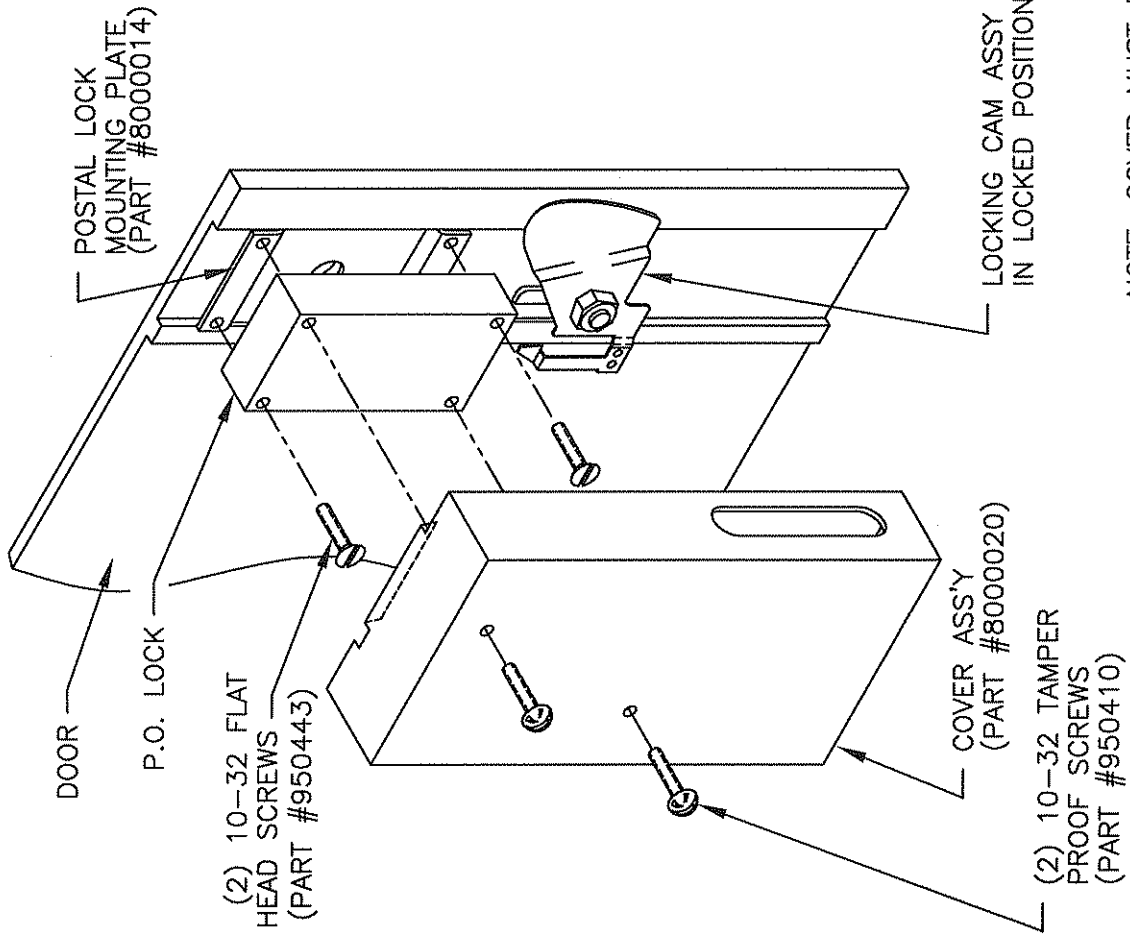


# INSTALLATION INSTRUCTIONS INDOOR PARCEL LOCKER POSTAL LOCK ASSEMBLY



**INSTRUCTIONS:**

1. INSTALL P.O. LOCK USING THE (2) FLAT HEAD SCREWS, (SEE ILLUSTRATION FOR PROPER HOLE ARRANGEMENT). WITH THE P.O. LOCK IN THE OPEN POSITION AND THE LOCKING CAM IN THE LOCKED POSITION,
2. FIT THE COVER INTO PLACE BY HOOKING IT INTO THE TOP OF THE P.O. LOCK PLATE AND LIFTING THE SECURITY BRACKET SLIGHTLY UPWARD ABOVE THE LOCKING CAM. THE LOCKING CAM MUST EXTEND THROUGH THE COVER SLOT. BEFORE TIGHTENING THE (2) ROUND HEAD SCREWS COMPLETELY.
3. CHECK THE OPERATION OF THE LOCK ASSEMBLY.

- \* ARROW LOCK SUPPLIED BY U.S.P.S.
- \* COVER CANNOT BE REMOVED WHEN P.O. LOCK IS IN THE LOCKED POSITION.

NOTE: WHEN FITTING COVER INTO PLACE, LIFT SECURITY BRACKET SLIGHTLY UPWARD THROUGH SLOT IN COVER.

LOCKING CAM ASSY (PART #802357-2)  
IN LOCKED POSITION

**NOTE:** COVER MUST BE IN THE FULL UP POSITION FOR LOCK TO OPERATE FREELY. LIFT BOTTOM OF COVER UPWARD GENTLY BEFORE TIGHTENING SCREWS.

**AUTH AF FLORENCE**  
5935 CORPORATE DRIVE, MANHATTAN, KANSAS 66503  
www.auth-florence.com  
(800) 275-1747