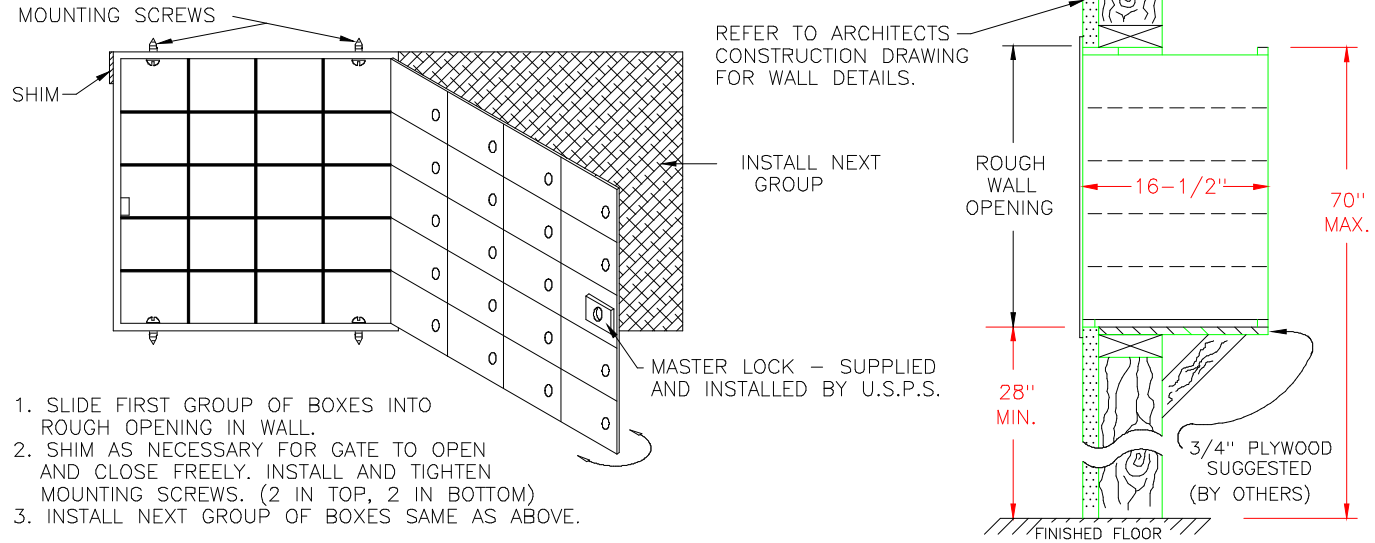
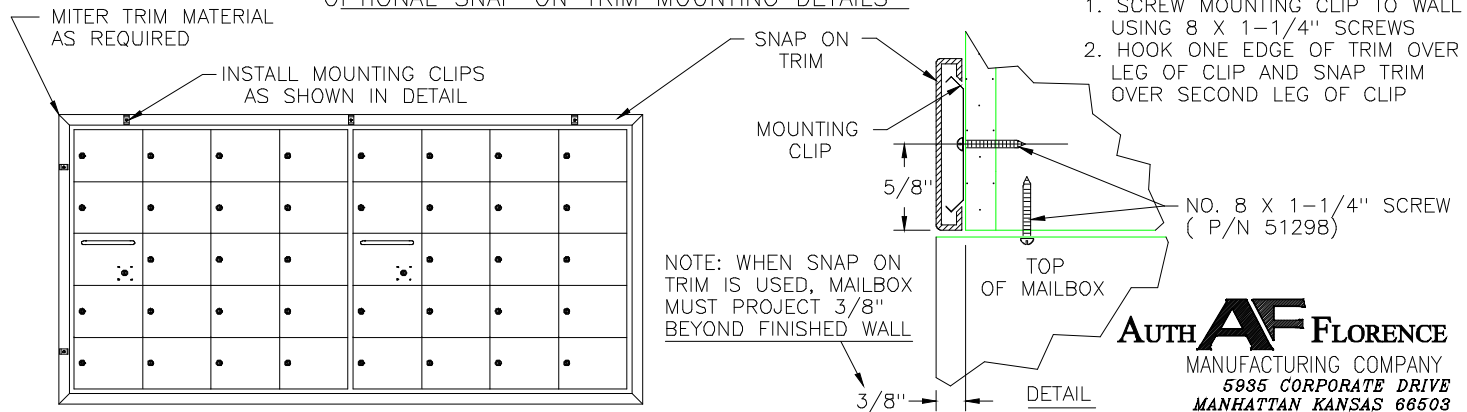


RECOMMENDED MOUNTING DETAILS FOR 1600 AND 1450 SERIES F/L MAILBOXES



1. SLIDE FIRST GROUP OF BOXES INTO ROUGH OPENING IN WALL.
2. SHIM AS NECESSARY FOR GATE TO OPEN AND CLOSE FREELY. INSTALL AND TIGHTEN MOUNTING SCREWS. (2 IN TOP, 2 IN BOTTOM)
3. INSTALL NEXT GROUP OF BOXES SAME AS ABOVE.

OPTIONAL SNAP ON TRIM MOUNTING DETAILS



NOTE: WHEN SNAP ON TRIM IS USED, MAILBOX MUST PROJECT 3/8" BEYOND FINISHED WALL

1. SCREW MOUNTING CLIP TO WALL USING 8 X 1-1/4" SCREWS
2. HOOK ONE EDGE OF TRIM OVER LEG OF CLIP AND SNAP TRIM OVER SECOND LEG OF CLIP

AUTH AF FLORENCE
 MANUFACTURING COMPANY
 5935 CORPORATE DRIVE
 MANHATTAN KANSAS 66503