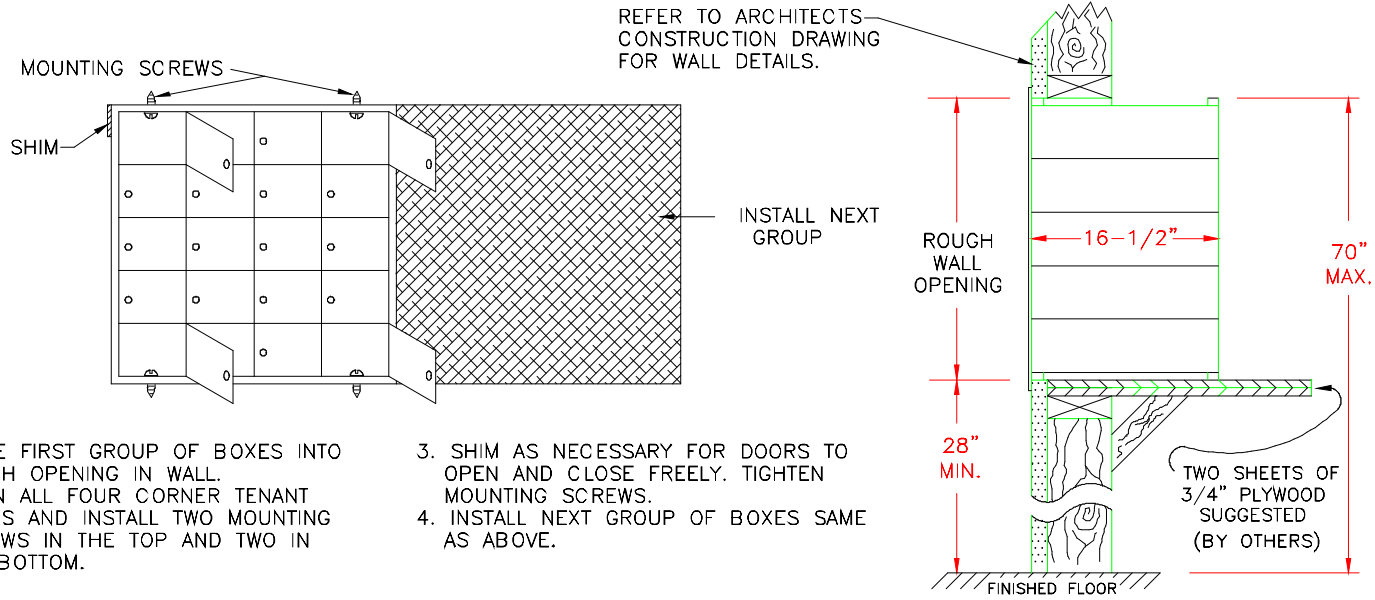
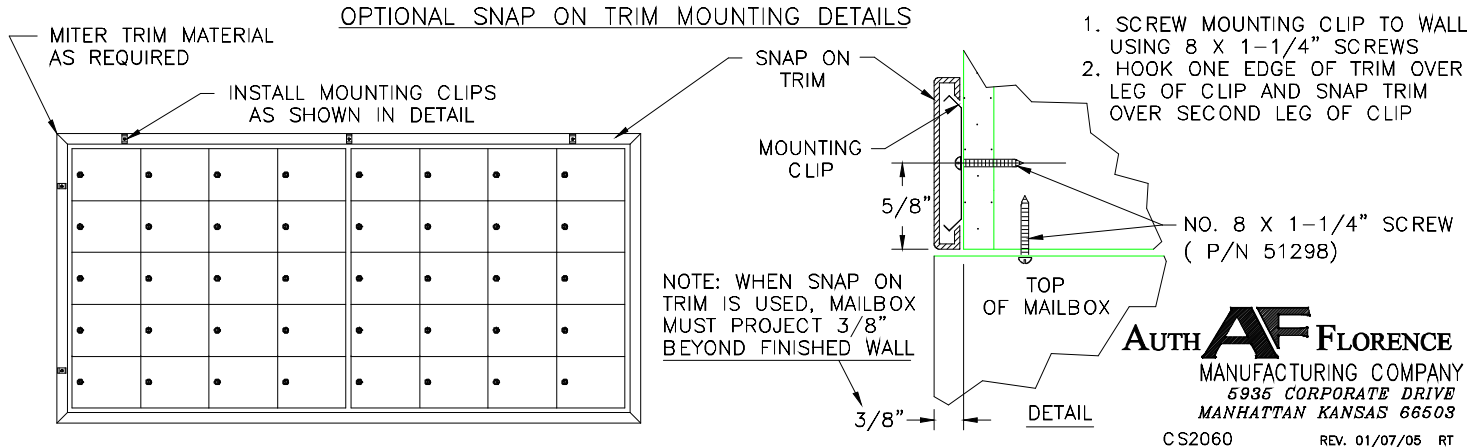


RECOMMENDED MOUNTING DETAILS FOR 1700 AND 1550 SERIES R/L MAILBOXES



1. SLIDE FIRST GROUP OF BOXES INTO ROUGH OPENING IN WALL.
2. OPEN ALL FOUR CORNER TENANT DOORS AND INSTALL TWO MOUNTING SCREWS IN THE TOP AND TWO IN THE BOTTOM.
3. SHIM AS NECESSARY FOR DOORS TO OPEN AND CLOSE FREELY. TIGHTEN MOUNTING SCREWS.
4. INSTALL NEXT GROUP OF BOXES SAME AS ABOVE.



1. SCREW MOUNTING CLIP TO WALL USING 8 X 1-1/4" SCREWS
2. HOOK ONE EDGE OF TRIM OVER LEG OF CLIP AND SNAP TRIM OVER SECOND LEG OF CLIP

NOTE: WHEN SNAP ON TRIM IS USED, MAILBOX MUST PROJECT 3/8" BEYOND FINISHED WALL

AUTH AF FLORENCE
 MANUFACTURING COMPANY
 5935 CORPORATE DRIVE
 MANHATTAN KANSAS 66503