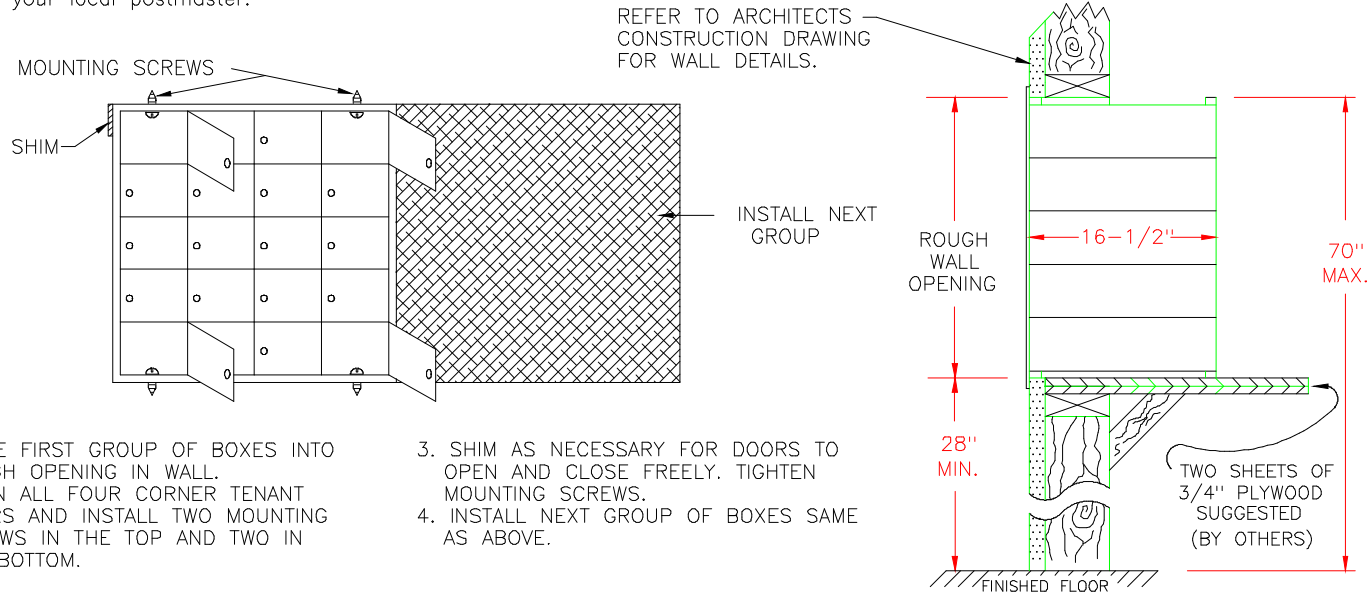


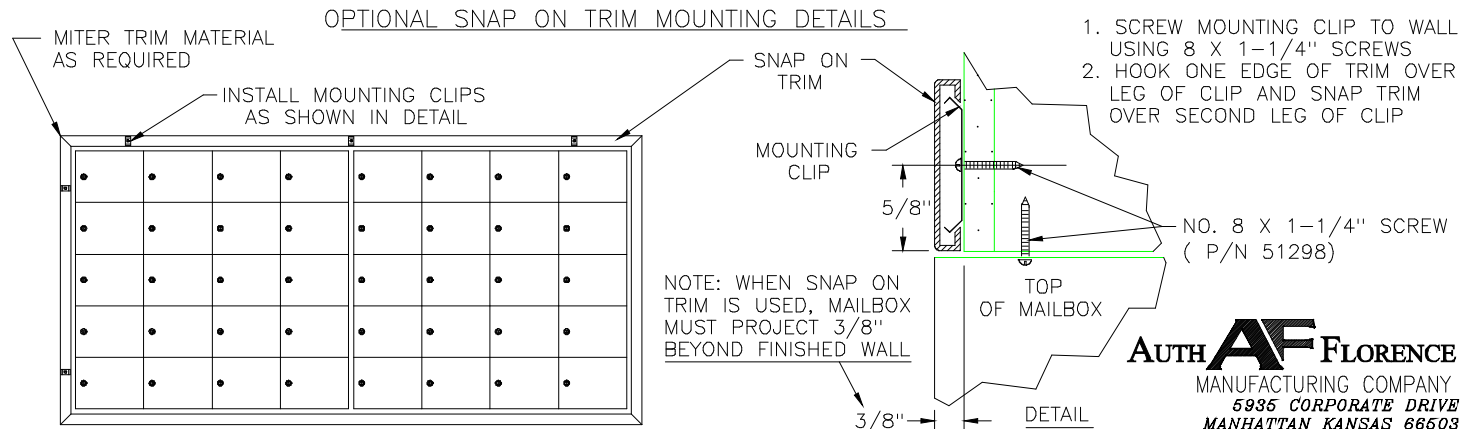
RECOMMENDED MOUNTING DETAILS FOR 1500 SERIES R/L MAILBOXES

* Meets all the latest USPS regulations. See postal Service Publication 17 available from your local postmaster.



1. SLIDE FIRST GROUP OF BOXES INTO ROUGH OPENING IN WALL.
2. OPEN ALL FOUR CORNER TENANT DOORS AND INSTALL TWO MOUNTING SCREWS IN THE TOP AND TWO IN THE BOTTOM.

3. SHIM AS NECESSARY FOR DOORS TO OPEN AND CLOSE FREELY. TIGHTEN MOUNTING SCREWS.
4. INSTALL NEXT GROUP OF BOXES SAME AS ABOVE.



AUTH AF FLORENCE
 MANUFACTURING COMPANY
 5935 CORPORATE DRIVE
 MANHATTAN KANSAS 66503

CS2059 2/23/04