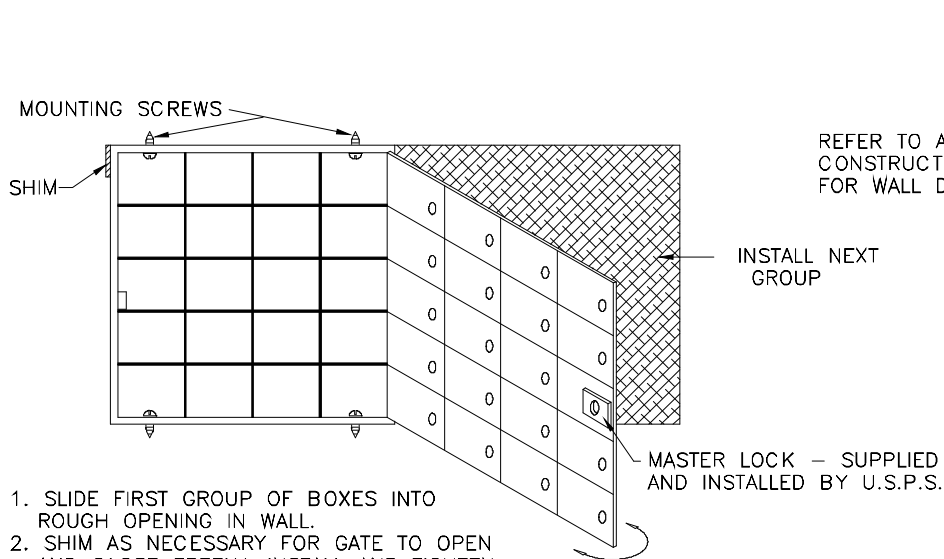


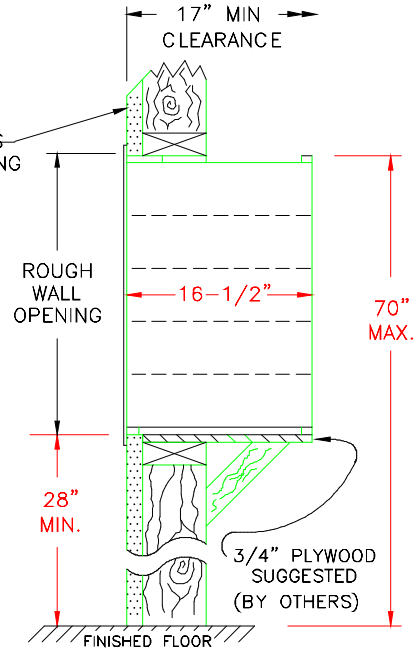
RECOMMENDED MOUNTING DETAILS FOR 1400 SERIES F/L MAILBOXES

* Meets all the latest USPS regulations. See postal Service Publication 17 available from your local postmaster.



1. SLIDE FIRST GROUP OF BOXES INTO ROUGH OPENING IN WALL.
2. SHIM AS NECESSARY FOR GATE TO OPEN AND CLOSE FREELY. INSTALL AND TIGHTEN MOUNTING SCREWS. (2 IN TOP, 2 IN BOTTOM)
3. INSTALL NEXT GROUP OF BOXES SAME AS ABOVE.

REFER TO ARCHITECTS CONSTRUCTION DRAWING FOR WALL DETAILS.



AUTH AF FLORENCE
MANUFACTURING COMPANY
5935 CORPORATE DRIVE
MANHATTAN KANSAS 66503