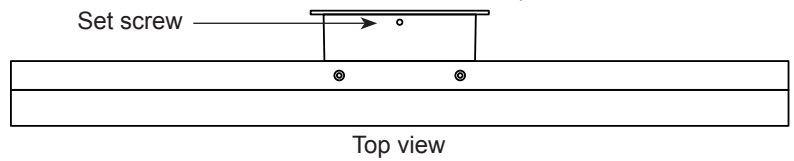
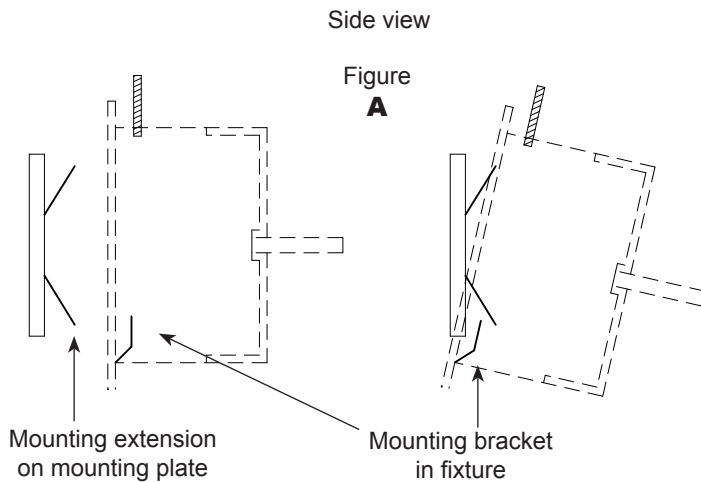
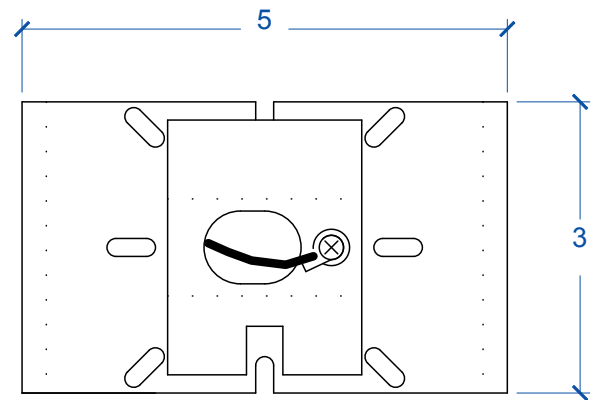


# SLICE



## Installation Instructions

1. Loosen set screw to remove mounting plate.
2. Pull wires from J-box through center hole in mounting plate and mount the plate on the J-box.
3. Connect the wires from the fixture to the corresponding wires from the J-box. Connect the ground wire from the J-box to the green ground wire on the mounting plate.
4. Push the connections back into the J-box through the center hole in the mounting plate.
5. Hook the mounting bracket in the fixture under the mounting extension on the mounting plate (fig. A).



6. Fit back of fixture over mount plate.
7. Secure by tightening the set screw (fig B).

