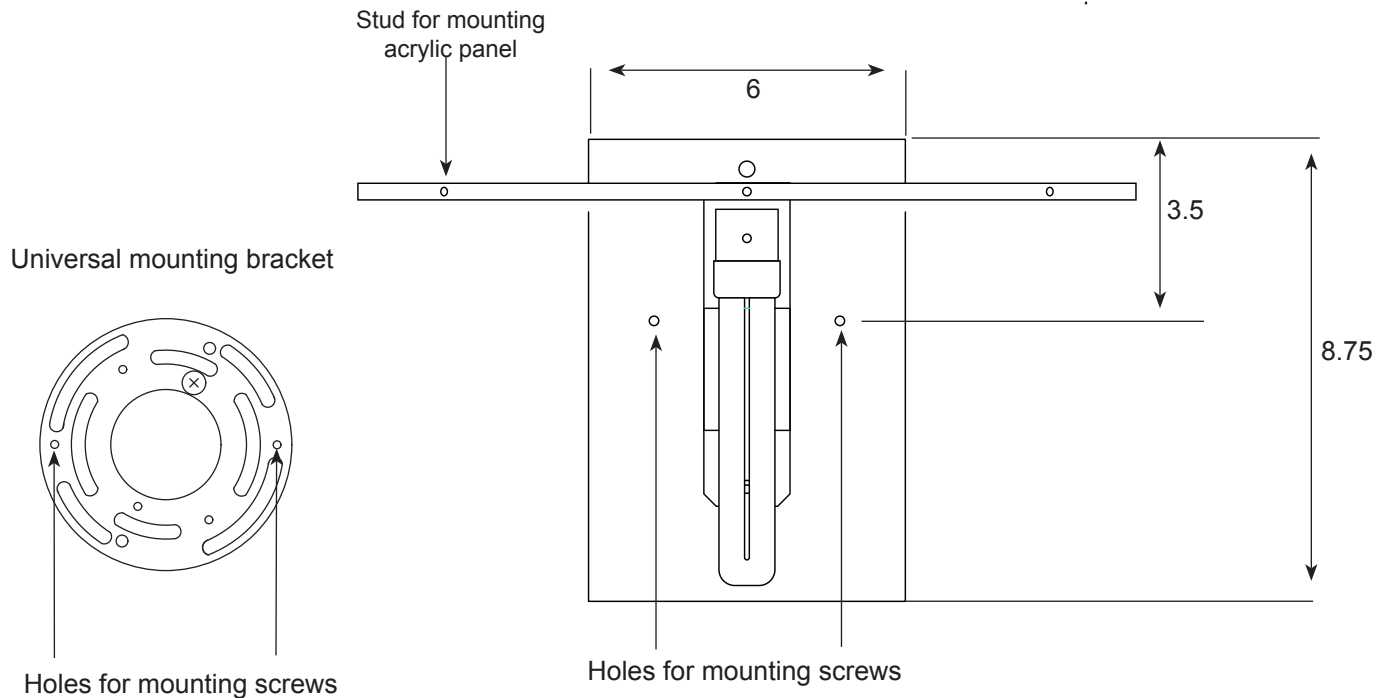


PETRONILLA WALL



Installation Instructions

1. Remove the universal mounting bracket by unscrewing the two screws holding it in place. Save the screws for mounting the fixture.
2. Install the universal mounting bracket on the J-box (using customer supplied screws) using any available space except the two holes for the mounting screws. The universal bracket should be mounted to the J-box so that the holes for the mounting screws are level horizontally.
3. Connect wires from fixture to corresponding wires from J-box. Attach the ground wire to the green ground screw on the universal mounting bracket.
4. Using the two screws that you removed in step one, attach the fixture to the universal mounting bracket.
5. Install lamping.
6. Unscrew the chrome endpieces and install the acrylic panels on the studs according to diagram A.

