

# American Standard



## BATH/SHOWER TRIM KITS

## Installation Instructions

### T6179 T6180 T6181

Thank you for selecting American-Standard...the benchmark of fine quality for over 100 years.

To ensure that your installation proceeds smoothly—please read these instructions carefully before you begin.

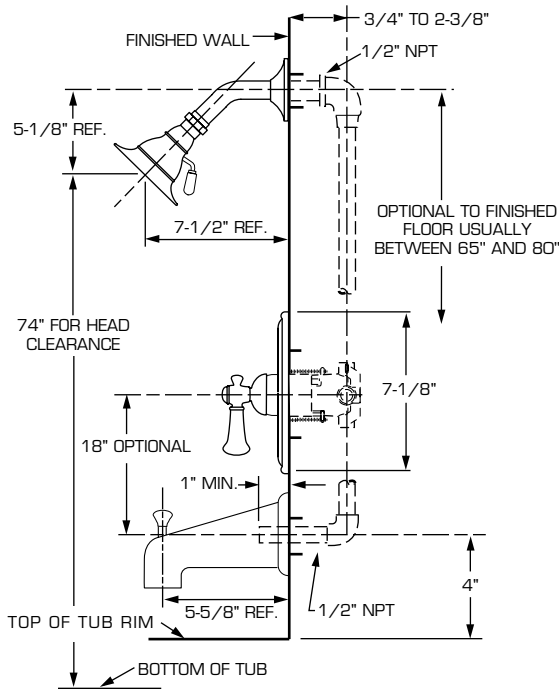


Certified to comply with ANSI A112.18.1

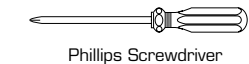
M968411A

### ROUGHING-IN DIMENSIONS Installation for Bath/Shower, Shower only, or Valve only Trim.

- Dimensions are for reference.



### Required Tools



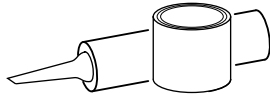
Phillips Screwdriver



Flat Blade Screwdriver



Adjustable Wrench



Plumbers' Putty or Caulking



Channel Locks

### CARE INSTRUCTIONS:

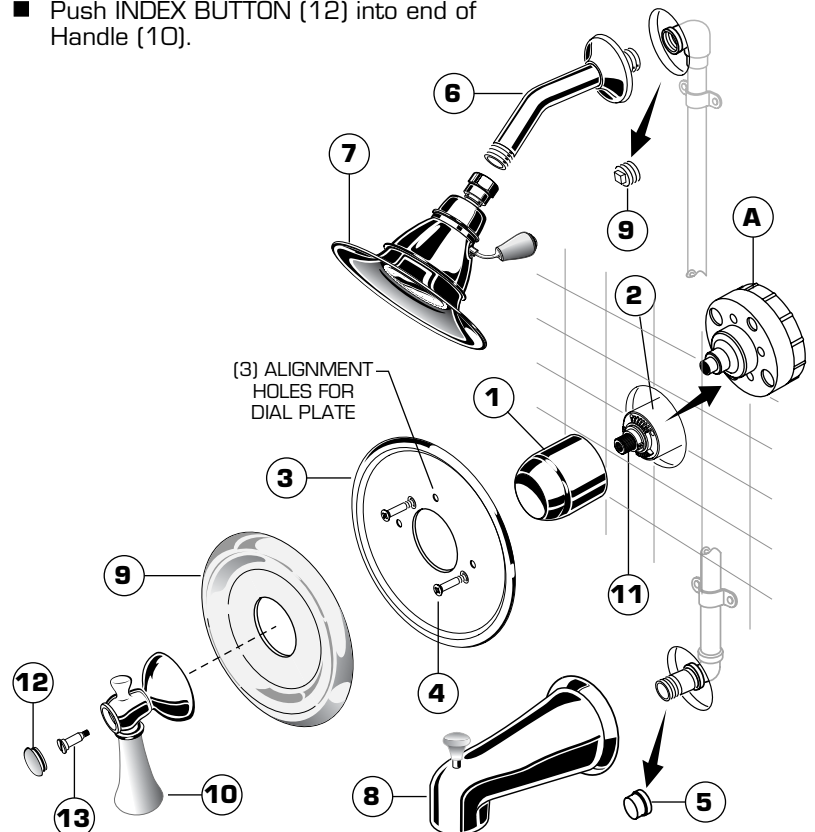
**DO: SIMPLY RINSE THE PRODUCT CLEAN WITH CLEAR WATER. DRY WITH A SOFT COTTON FLANNEL CLOTH.**

**DO NOT: CLEAN THE PRODUCT WITH SOAPS, ACID, POLISH, ABRASIVES, HARSH CLEANERS, OR A CLOTH WITH A COARSE SURFACE**

## 1 INSTALL TRIM

**CAUTION: Protect finish on SHOWER ARM, SHOWER HEAD and TUB SPOUT when installing.**

- When finished tiling the wall, remove PLASTER GUARD (A) and turn off water supply.
- Push CAP (1) over VALVE CARTRIDGE (2).
- Mount ESCUTCHEON (3) to valve body with SCREWS (4).
- Push DIAL PLATE (9) over CAP (1) and into the three alignment holes in ESCUTCHEON (3).
- Remove PIPE CAP (5) and PIPE PLUG (9) from shower pipe and tub filler pipe.
- Install SHOWER ARM (6), SHOWER HEAD (7) and TUB FILLER SPOUT (8) by threading onto pipe nipples using teflon tape or pipe sealant.
- Align HANDLE (10) and push onto VALVE STEM (11).
- Insert HANDLE SCREW (13) and tighten securely.
- Push INDEX BUTTON (12) into end of Handle (10).

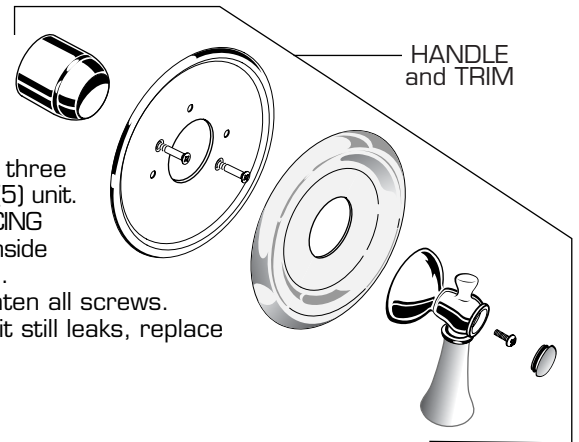


## 2 TO GAIN ACCESS TO VALVE FOR SERVICING

- Remove HANDLE and TRIM. See step one and reverse assembly procedure.

### VALVE LEAKS WHEN SHUT OFF

- Remove CARTRIDGE (1) by removing CARTRIDGE SCREWS (2). Remove three SCREWS (3) from FIXATION RING (4) and pull out PRESSURE BALANCING (5) unit.
- Clean SEALS (9) on base of CARTRIDGE (1). Check base of PRESSURE BALANCING UNIT (5) and clean O-RINGS (6). Remove CAPS (7) and check O-RINGS on inside of CAPS (7) for debris. Clean inside sealing surfaces of VALVE BODY (8).
- Re-assemble PRESSURE BALANCING UNIT (5) and CARTRIDGE (1). Tighten all screws.
- Turn on water supply and see above for installing TRIM and HANDLE. If it still leaks, replace pressure balancing unit (M952100-0070A).

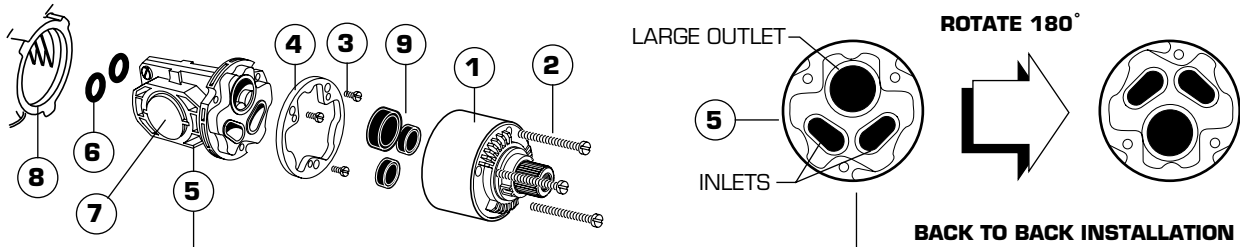


### UNABLE TO MAINTAIN CONSTANT TEMPERATURE

- Remove PRESSURE BALANCE UNIT (5).
- Remove CAPS (7) and clean valve thoroughly.
- Examine balancing unit and check condition of O-ring on end of piston. Piston should move back and forth. Order Repair Part M952100-0070A if balancing unit is defective.
- Replace CAPS (7) and install PRESSURE BALANCE UNIT (5). Make sure inlets line up with two holes in bottom of casting. Top flange should butt-up against top of casting.

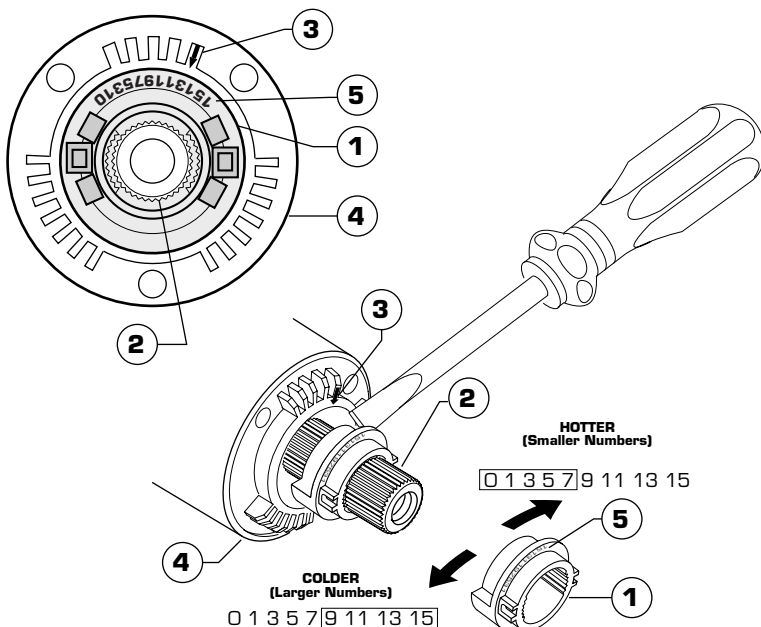
### BACK TO BACK INSTALLATION

- Remove PRESSURE BALANCE UNIT (5). Rotate PRESSURE BALANCE UNIT (5) 180° so that the inlets face up and the large outlet port faces down.
- Push PRESSURE BALANCE UNIT (5) in casting make sure inlets line up with holes in bottom of casting. Top flange should butt up against top of casting. Reassemble FIXATION RING (4) and CARTRIDGE (1).



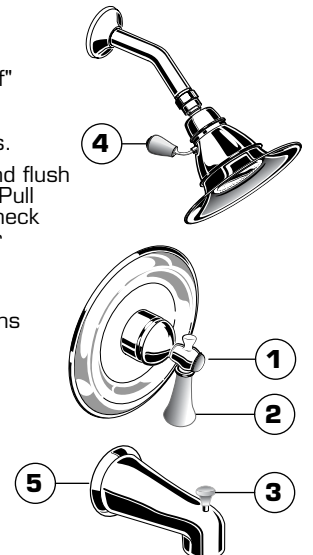
## 3 ADJUST HOT LIMIT STOP

- By restricting HANDLE rotation and limiting the amount of hot water allowed to mix with the cold, the HOT LIMIT SAFETY STOP (1) reduces risk of accidental scalding. To set the maximum hot water temperature of your faucet, all you need to do is adjust the setting on the HOT LIMIT SAFETY STOP (1).
- Turn CARTRIDGE STEM (2) to the OFF position (coldest setting) before making adjustment to HOT LIMIT SAFETY STOP (1). Use a flat blade screwdriver to pry free the HOT LIMIT SAFETY STOP (1). Pull forward and rotate counterclockwise one number to limit hot water temperature. Use ARROW (3) on CARTRIDGE (4) and NUMBERS (5) on HOT LIMIT SAFETY STOP (1) for indication.



## 4 TEST INSTALLED FITTING

- Turn VALVE (1) "off".
- With HANDLE (2) in "off" position, turn on water supplies and check all connections for leaks.
- Operate HANDLE (2) and flush water lines thoroughly. Pull DIVERTER (3) up and check SHOWER (4) for proper operation.
- Check SPOUT (5) and SHOWER (4) connections for leaks.



M968411A

## BATH/SHOWER MODEL NUMBER

**T6179**  
**T6180**  
**T6181**

**060351-YYY0A**  
SHOWER ARM AND FLANGE

**M953575-YYY0A**  
SHOWER HEAD

**M962167-YYY0A**  
ESCUTCHEON AND SCREWS

**078016-YYY0A**  
ESCUTCHEON SCREWS

**M909657-0070A**  
DIAL PLATE

**M907050-YYY0A**  
ESCUTCHEON CAP SET

**M962170-0070A**  
INDEX BUTTON

**A918657-0070A**  
HANDLE SCREW

**M907557-YYY0A**  
TUB SPOUT  
ESCUTCHEON

**M962169-YYY0A**  
HANDLE

**M953415-YYY0A**  
DIVERTER SPOUT (IPS)

**M962168-0070A**  
DIVERTER SPOUT  
REPAIR KIT

Replace the "YYY" with appropriate finish code

CHROME	002
SATIN	295



**HOT LINE FOR HELP**

For toll-free information and answers to your questions, call:  
1-800 442-1902

Weekdays 8:00 a.m. to 8:00 p.m. EST

IN CANADA 1-800-387-0369 (TORONTO 1-905-306-1093)  
Weekdays 8:00 a.m. to 7:00 p.m. EST

Product names listed herein are trademarks of American Standard Inc.  
© American Standard Inc. 2002