

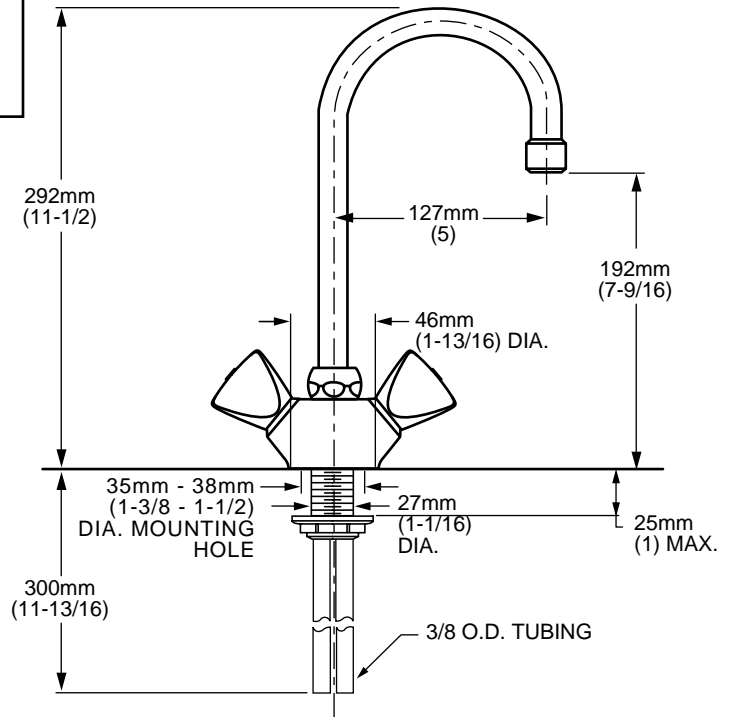
American Standard

AMARILIS

TWO-HANDLE PANTRY/BAR SINK FAUCET WITH BRASS GOOSENECK SPOUT

MODEL NUMBER:

- ❑ **7190.132 Single Hole Pantry/Bar Sink Faucet**
Brass handles.



GENERAL DESCRIPTION:

Durable brass construction. Amarilis 1/4 turn washerless ceramic disc valve cartridges - reversible for use on both "hot" & "cold" side. Cast brass valve bodies with 3/8 O.D. copper supplies. Threaded brass mounting shank with brass shank nut for single hole mounting. Brass gooseneck swing spout. 2.2gpm/8.3L/min. maximum flow rate.

PRODUCT FEATURES:

Brass & Copper Waterway: Highest quality faucet materials for durability and long life.

Ceramic Disc Valve Cartridges: Assures a lifetime of drip-free performance.

Low Lead: Meets NSF Standard 61/Section 9 & Prop 65 lead requirements.

Choice of Finishes: Available in Polished Chrome or PVD Polished Brass.

SUGGESTED SPECIFICATION:

Two handle pantry/bar sink faucet shall feature a cast brass body and brass swing spout. Shall feature a cast brass valve body with copper supplies. Shall feature a brass mounting shank. Shall also feature 1/4 turn washerless ceramic disc valve cartridges that are reversible for use on both hot and cold sides. Fitting shall be American Standard Model # 7190.132. ____

American Standard

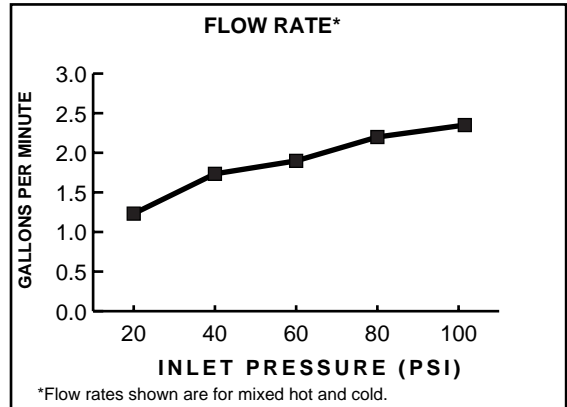
AMARILIS

**TWO-HANDLE
PANTRY/BAR SINK FAUCET
WITH BRASS GOOSENECK SPOUT**

CODES AND STANDARDS

These products meet or exceed the following codes and standards:

- ASME A112.18.1**
- CSA B 125**
- NSF 61/Section 9**



Product Number	Description	Finish Options	
		Polished Chrome	PVD Polished Brass
7190.132	Bar Sink faucet. Brass handles.	002	099