

SILHOUETTE 18” ISLAND SINK

- Americast brand engineered material
- Single bowl design
- Self-rimming or undercounter installation
- Silicone sealant supplied
- Available in 1 or 3 faucet hole configuration

Self-Rimming:

- 7185.001** Center hole only
- 7185.803** 3 hole

Under Counter Installation:

- 791326-100** Mounting Kit (consists of cut-out templates and mounting clips)

NOTE: For undercounter installation order self-rimming model with desired hole punchings along with 791326-100 Mounting Kit.

Nominal Dimensions: 457 x 447 x 216mm
(18" x 18" x 8-1/2")

Bowl sizes:

375mm (14-3/4") wide, 375mm (14-3/4") front to back 203mm (8") deep

Compliance Certifications -

Meets or Exceeds the Following Specifications:

- ASME A112.19.4M for Americast Plumbing Fixtures
- ASTM E162 for Flammability
- NFPA 258 for Smoke Density



Self-Rimming Model (faucet not included)



Undercounter Installation (faucet not included)

To Be Specified

- Color:
- Faucet*:
- Faucet Finish:
- Basket Strainer: 4331.013
- Soap Dispenser: 4503.115, Color:
- Trap:

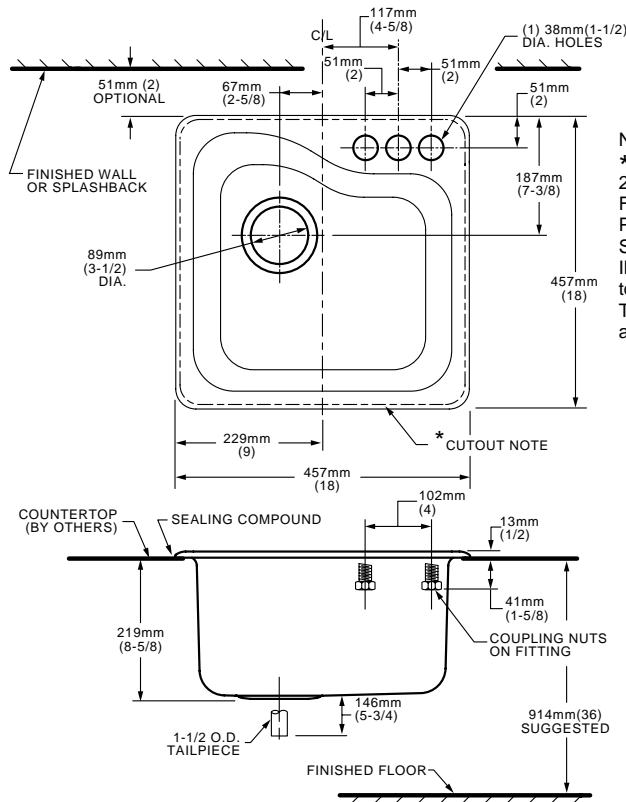
See Pgs. KSS-05B & 05C for Colors and information on the following items:

- Wood Cutting Board: 9000.185
- Colander for Cutting Board: 8102.100

* See faucet section for additional models available

7185.803

7185.823

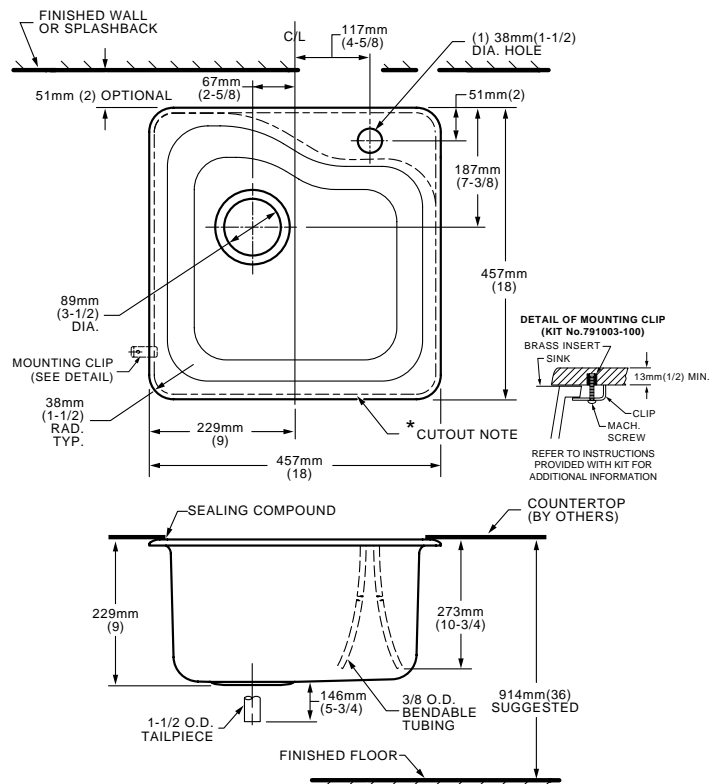


NOTES:

* **SELF-RIMMING (7185.803):** COUNTERTOP CUTOUT 425mm x 425mm WITH 25mm RADIUS (16-3/4 X 16-3/4 WITH 1" RAD.) AT CORNERS. FITTINGS NOT INCLUDED AND MUST BE ORDERED SEPARATELY. PROVIDE SUITABLE REINFORCEMENT FOR ALL WALL AND COUNTERTOP SUPPORTS.

IMPORTANT: Dimensions of fixtures are nominal and may vary within the range of tolerances established by ANSI Standard A112.19.4. These measurements are subject to change or cancellation. No responsibility is assumed for use of superseded or voided leaflet.

Undercounter Mount



NOTES:

* **TEMPLATE PROVIDED WITH MOUNTING KIT 791326-100 FOR EXPOSED FAUCET DECK OR UNDERCOUNTER FAUCET DECK COUNTERTOP CUTOUT VARIATIONS.** FITTINGS AND UNDERCOUNTER MOUNTING KIT NOT INCLUDED AND MUST BE ORDERED SEPARATELY. PROVIDE SUITABLE REINFORCEMENT FOR ALL WALL AND COUNTERTOP SUPPORTS. IMPORTANT: Dimensions of fixtures are nominal and may vary within the range of tolerances established by ANSI Standard A112.19.4. These measurements are subject to change or cancellation. No responsibility is assumed for use of superseded or voided leaflet.

SPS 7185

SILHOUETTE 18” ISLAND SINK

- Americast brand engineered material
- Single bowl design
- Self-rimming or undercounter installation
- Silicone sealant supplied
- Available in 1 or 3 faucet hole configuration

Self-Rimming:

- 7185.001** Center hole only
- 7185.803** 3 hole

Under Counter Installation:

- 791003-100** Mounting Kit (consists of cut-out templates and mounting clips)

NOTE: For undercounter installation order self-rimming model with desired hole punchings along with 791003-100 Mounting Kit.

Nominal Dimensions: 457 x 447 x 216mm
(18" x 18" x 8-1/2")

Bowl sizes:

375mm (14-3/4") wide, 375mm (14-3/4") front to back 203mm (8") deep

Compliance Certifications -

Meets or Exceeds the Following Specifications:

- ASME A112.19.4M for Americast Plumbing Fixtures
- ASTM E162 for Flammability
- NFPA 258 for Smoke Density



Self-Rimming Model (faucet not included)



Undercounter Installation (faucet not included)

To Be Specified

- Color:
- Faucet*:
- Faucet Finish:
- Basket Strainer: 4331.013
- Soap Dispenser: 4503.115, Color:
- Trap:

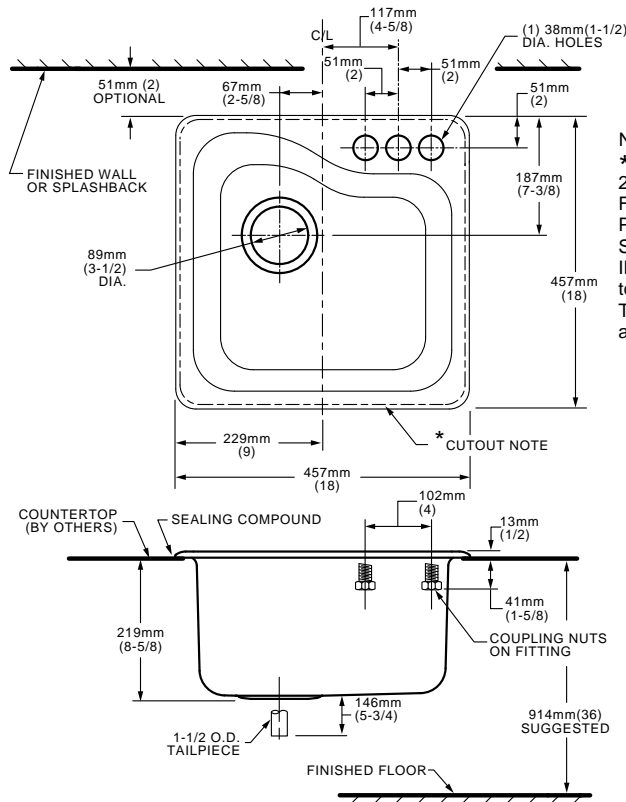
See Pgs. KSS-05B & 05C for Colors and information on the following items:

- Wood Cutting Board: 9000.185
- Colander for Cutting Board: 8102.100

* See faucet section for additional models available

7185.803

7185.823

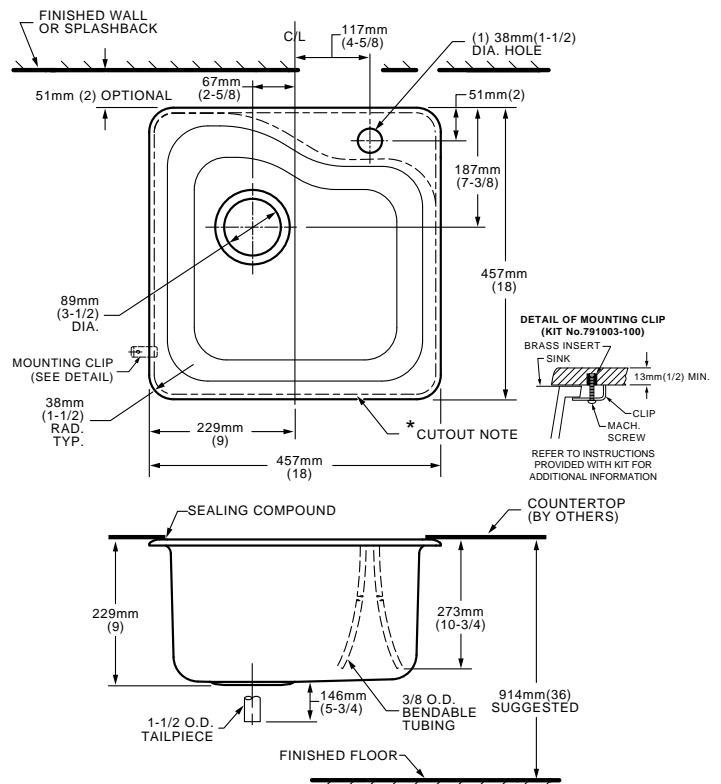


NOTES:

* **SELF-RIMMING (7185.803):** COUNTERTOP CUTOUT 425mm x 425mm WITH 25mm RADIUS (16-3/4 X 16-3/4 WITH 1" RAD.) AT CORNERS. FITTINGS NOT INCLUDED AND MUST BE ORDERED SEPARATELY. PROVIDE SUITABLE REINFORCEMENT FOR ALL WALL AND COUNTERTOP SUPPORTS.

IMPORTANT: Dimensions of fixtures are nominal and may vary within the range of tolerances established by ANSI Standard A112.19.4 These measurements are subject to change or cancellation. No responsibility is assumed for use of superseded or voided leaflet.

Undercounter Mount



NOTES:

* **TEMPLATE PROVIDED WITH MOUNTING KIT 791003-100 FOR EXPOSED FAUCET DECK OR UNDERCOUNTER FAUCET DECK COUNTERTOP CUTOUT VARIATIONS.** FITTINGS AND UNDERCOUNTER MOUNTING KIT NOT INCLUDED AND MUST BE ORDERED SEPARATELY. PROVIDE SUITABLE REINFORCEMENT FOR ALL WALL AND COUNTERTOP SUPPORTS.

IMPORTANT: Dimensions of fixtures are nominal and may vary within the range of tolerances established by ANSI Standard A112.19.4 These measurements are subject to change or cancellation. No responsibility is assumed for use of superseded or voided leaflet.

SPS 7185

SILHOUETTE 18” ISLAND SINK

- Americast brand engineered material
- Single bowl design
- Tile edge installation
- Silicone sealant supplied
- Available in 1 or 3 faucet hole configuration

Tile Edge:

- 7185.011** Center hole only
- 7185.813** 3 hole

Nominal Dimensions: 457 x 447 x 216mm
(18" x 18" x 8-1/2")

Bowl sizes:

375mm (14-3/4") wide, 375mm (14-3/4") front to
back 203mm (8") deep

Compliance Certifications -

Meets or Exceeds the Following Specifications:

- ASME A112.19.4M for Americast Plumbing Fixtures
- ASTM E162 for Flammability
- NFPA 258 for Smoke Density



Shown with 7100.271H Heritage Bar Faucet with
Wrist Blade Handle (not included)

To Be Specified

- Color:
- Faucet*:
- Faucet Finish:
- Basket Strainer: 4331.013
- Soap Dispenser: 4503.115, Color:
- Trap:

See Pgs. KSS-05B & 05C for Colors and information
on the following items:

- Wood Cutting Board: 9000.180
- Colander for Cutting Board: 8102.100

* See faucet section for additional models available

