



INNSBROOK™ 0.5 GALLON PER FLUSH URINAL

- Vitreous china
- Low consumption (1.9 Lpf/0.5 gpf)
- 13mm (1/2") supply line
- Integral flushing mechanism
- Integral in-line strainer for solenoid
- Elongated 356mm (14") rim from finish wall
- Flushing rim
- Washout flush action
- Integral extended sides for privacy
- Two wall hangers
- Outlet connection threaded 2" inside (NPTF)
- Meets ASME flush requirements at less than 0.5 GPF

- 6520.001** Integral Proximity Flush System.
 - Battery Power Supply.

- 6520.003** Integral Proximity Flush System. Ready for use with low voltage Plug-In Power Supply. Up to 15 urinals can be powered with one Power Supply (Must be ordered separately). The following parts are supplied for multiple connection:

- A950489-0070A** Multi-Board
- 738807-0070A** Multi-Board Case Assembly (Multi-Box)
- A922265-0070A** 10' Connection Cable Extension

Required Components for:

AC Single and Multiple Connection

- M950169-0070A** Plug-In Power supply with 6' cord (Quick Connect Connector)
 - Operates at 100-250 VAC, 50/60 Hz

Please see next page for recommended hook-up layout.

Available Component Parts:

- 047068-0070A** Stainless Steel Strainer
- 738232-XXX0A** Cover and mounting kit

Nominal Dimensions:

356 x 460 x 787mm
(14" x 18-1/8" x 31")

Recommended working pressure—between 20 psi at valve when flushing and 80 psi static.

Compliance Certifications -

Meets or Exceeds the Following Specifications:

- ASME A112.19.2M for Vitreous China Fixtures
- Power supply is UL Class 2 device

U.S. Pat. D-362,716



SEE REVERSE FOR ROUGHING-IN DIMENSIONS

To Be Specified:

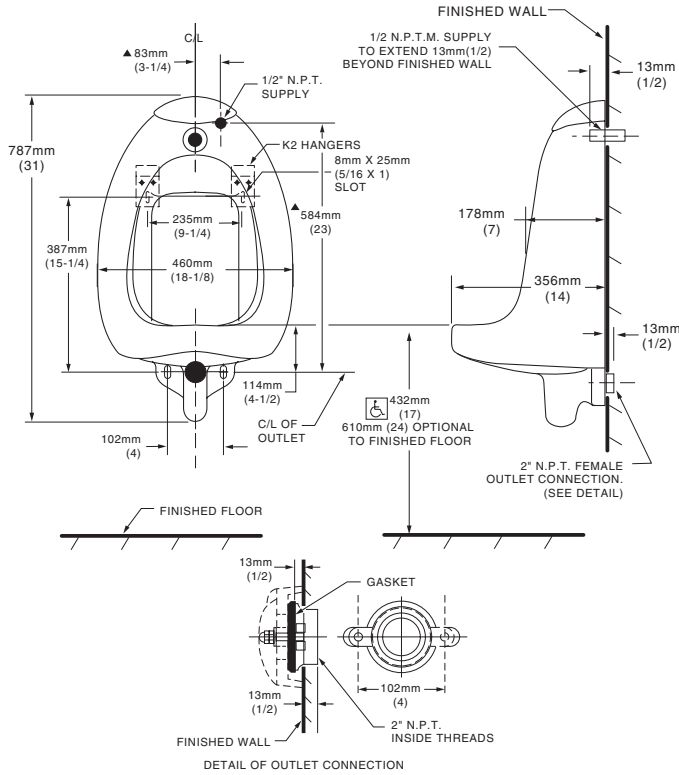
- Color: White Bone Silver
- Shell Black Linen



MEETS THE AMERICANS WITH DISABILITIES ACT GUIDELINES AND ANSI A117.1 ACCESSIBLE AND USEABLE BUILDINGS AND FACILITIES - CHECK LOCAL CODES.

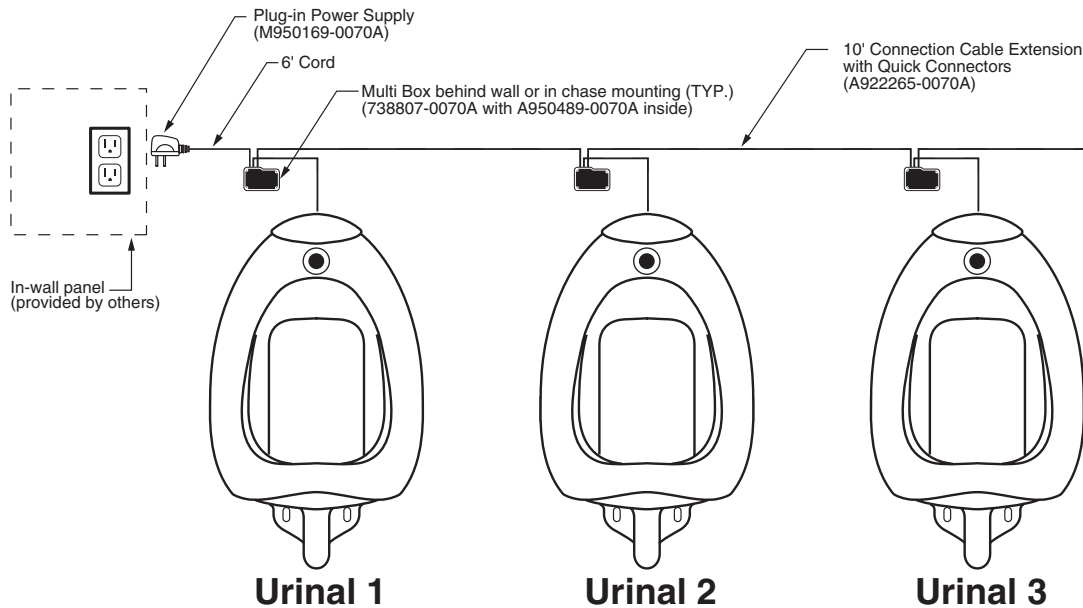
- When installed so top of rim is 432mm (17") from finished floor.

6520.001



NOTES:
 PROVIDE SUITABLE REINFORCEMENT FOR ALL WALL SUPPORTS.
 REQUIRED MINIMUM FLOW RATE - 5 GPM.
 REFER TO INSTALLATION INSTRUCTION SUPPLIED WITH URINAL FOR ADDITIONAL INFORMATION.
 ▲ DIMENSION SHOWN IS IMPORTANT AND MUST BE ADHERED TO.

IMPORTANT: Dimensions of fixtures are nominal and may vary within the range of tolerances established by ANSI Standard A112.19.2. These measurements are subject to change or cancellation. No responsibility is assumed for use of superseded or voided pages.



In the example above, Urinal #1 will have the Multi Box near by drawing power from the power supply. In turn, the same Multi Box will power its own sensor, and then connected with a multi Box for Urinal #2 which can relay the Power to its own Sensor Module and to another Multi Board (Urinal #3). This can be repeated as required for a recommended maximum of 10 Urinals.