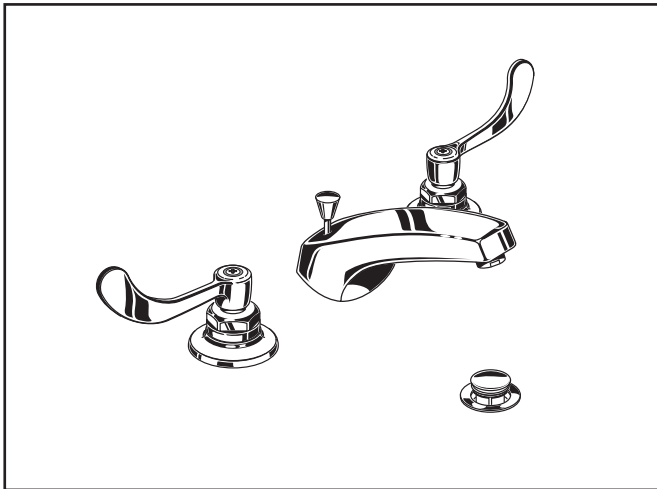


American Standard

COMMERCIAL

MONTERREY™

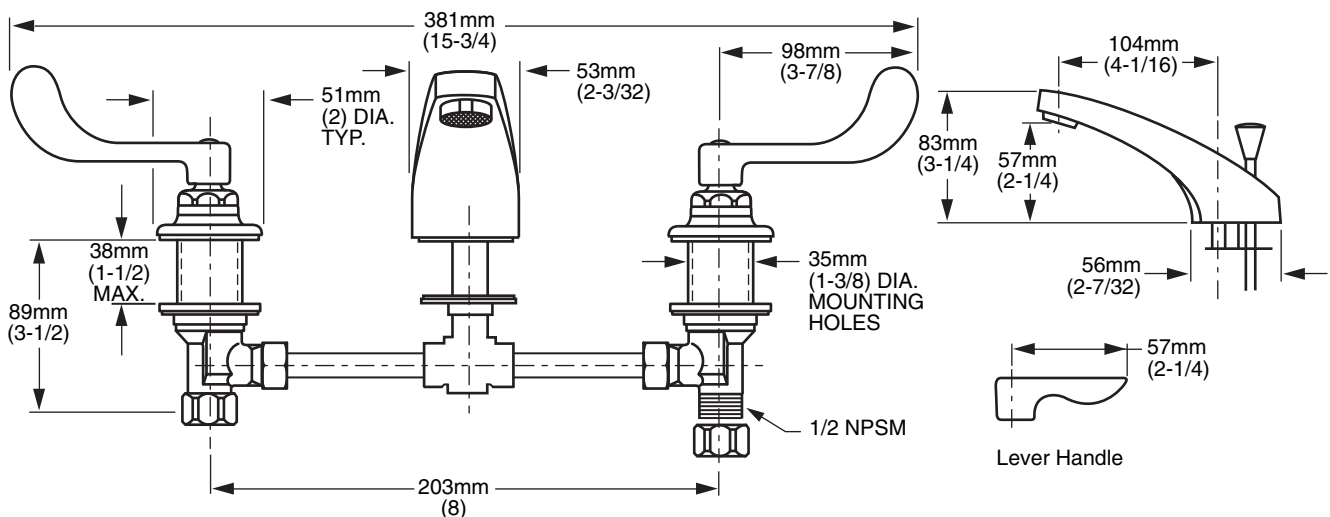
TWO-HANDLE 8" WIDESPREAD LAVATORY FAUCET WITH CONVENTIONAL SPOUT



6501.170 Shown.

MODEL NUMBER:

- 6500.170 Widespread Lavatory**
Wrist Blade handles. Less drain and pop-up hole.
- 6501.170 Widespread Lavatory**
Wrist Blade handles. Pop-up drain.
- 6502.170 Widespread Lavatory**
Wrist Blade handles. Grid strainer drain.
- 6500.140 Widespread Lavatory**
Lever handles. Less drain and pop-up hole.
- 6501.140 Widespread Lavatory**
Lever handles. Pop-up drain.
- 6502.140 Widespread Lavatory**
Lever handles. Grid strainer drain.



GENERAL DESCRIPTION:

Durable cast brass construction throughout. Cast brass valve bodies with 8" rigid copper connection with compression fittings. 1/2" male threaded inlet shanks with brass coupling nuts. 1/4 turn ceramic disc valve cartridges that are reversible for use on both hot and cold sides. Choice of Wrist Blade or Lever handles with blue & red color indexes. All brass drain bodies with 1-1/4" (32mm) tailpieces (on applicable models). 2.2 gpm/8.3L/min. maximum flow rate. Optional aerators available. Vandal Resistant models are available and include Vandal Resistant handles and spray.

PRODUCT FEATURES:

Solid Brass Construction: Durable - Excellent in high use applications. Ideal for prolonged contact with water.

Ceramic Disc Valve Cartridges: Assures a lifetime of drip-free performance.

Low Lead: Meets NSF Standard 61/Section 9 & Prop 65 lead requirements.

Choice of Handle Configurations: ADA approved Lever or Wrist Blade Handles.

SUGGESTED SPECIFICATION:

Two handle widespread lavatory faucet shall feature cast brass valve bodies with 8" rigid copper connection. Shall also feature 1/4 turn washerless ceramic disc valve cartridges that are reversible for use on both "Hot" and "Cold" sides. Fitting shall be American Standard Model # 650____.002.



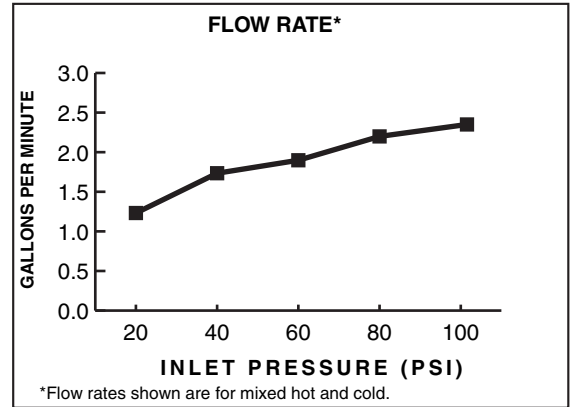
COMMERCIAL

MONTERREY™
TWO-HANDLE 8" WIDESPREAD
LAVATORY FAUCET
WITH CONVENTIONAL SPOUT

CODES AND STANDARDS

These products meet or exceed the following codes and standards:

- ASME A112.18.1**
- CSA B 125**
- NSF 61/Section 9**



Product Number	Description	Finish
		Polished Chrome 002
6500.170	Widespread Lavatory. Wrist Blade Handles. Less drain and pop-up hole.	
6501.170	Widespread Lavatory. Wrist Blade Handles. Pop-up drain.	
6502.170	Widespread Lavatory. Wrist Blade Handles. Grid strainer drain.	
6500.140	Widespread Lavatory. Lever Handles. Less drain and pop-up hole.	
6501.140	Widespread Lavatory. Lever Handles. Pop-up drain.	
6502.140	Widespread Lavatory. Lever Handles. Grid strainer drain.	

Note: For Vandal Resistant models add "VP" following the product number.
 Example - 6500.170VP.002 = Widespread Lavatory. Vandal Resistant Wrist Blade Handles. Less drain and pop-up hole in Polished Chrome finish.

Meets the American Disabilities Act Guidelines and **ANSI A117.1** Requirements for the physically challenged.