

# American Standard

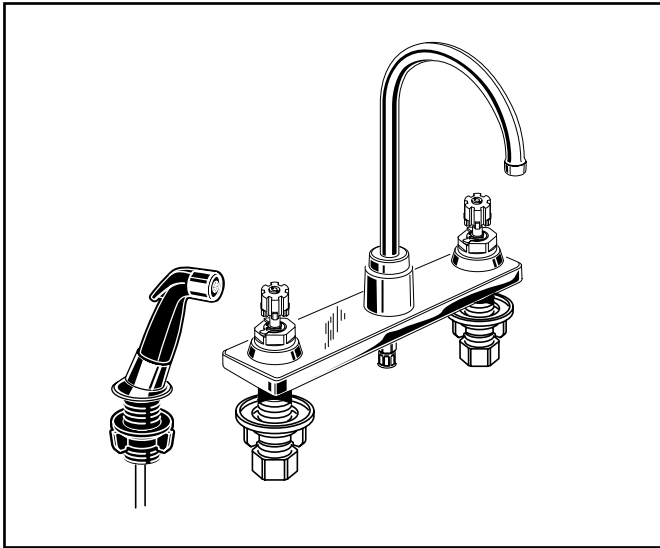
# HERITAGE

## TWO-HANDLE TOP-MOUNT KITCHEN FAUCET WITH BRASS GOOSENECK SPOUT

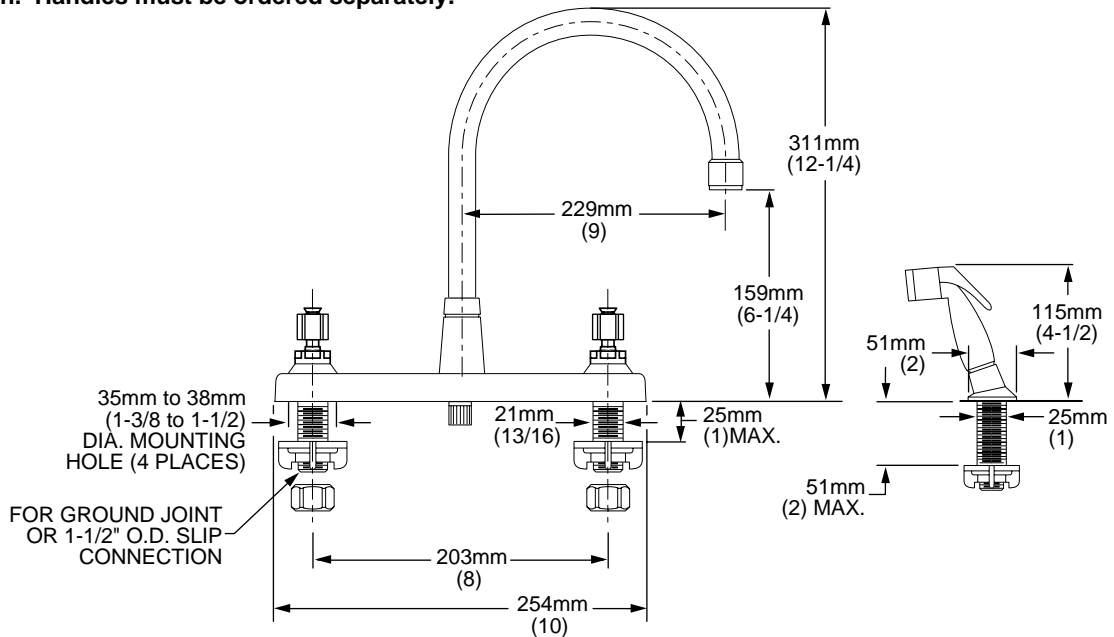
### MODEL NUMBER:

- ❑ **6274.000 Top-Mount Kitchen Faucet**  
Handspray. Less handles.
- ❑ **6275.000 Top-Mount Kitchen Faucet**  
Less spray. Less handles.

Handles must be ordered separately.



6274.000 Shown. Handles must be ordered separately.



### GENERAL DESCRIPTION:

Durable cast brass construction. Amaris 1/4 turn washerless ceramic disc valve cartridges - reversible for use with either lever or round handles. One-half inch male inlet shanks with brass coupling nuts. Brass swing spout. Brass escutcheon plate (escutcheon size 10"L x 2-1/8"W). 2.2gpm/8.3L/min. maximum flow rate.

### PRODUCT FEATURES:

**Brass Construction:** Durable - Excellent in high use applications. Ideal for prolonged contact with water.

**Ceramic Disc Valve Cartridges:** Assures a lifetime of drip-free performance.

**Low Lead:** Meets NSF Standard 61/Section 9 & Prop 65 lead requirements.

**Wide Selection of Handle Styles:** Full range of interchangeable handle styles.

### SUGGESTED SPECIFICATION:

Two handle top-mount kitchen faucet shall feature cast brass construction with all brass inlet shanks and coupling nuts. Shall also feature 1/4 turn washerless ceramic disc valve cartridges that are reversible for use with round or lever handles. Fitting shall be American Standard Model # \_\_\_\_\_ and handle kit # 0000.\_\_\_\_\_.



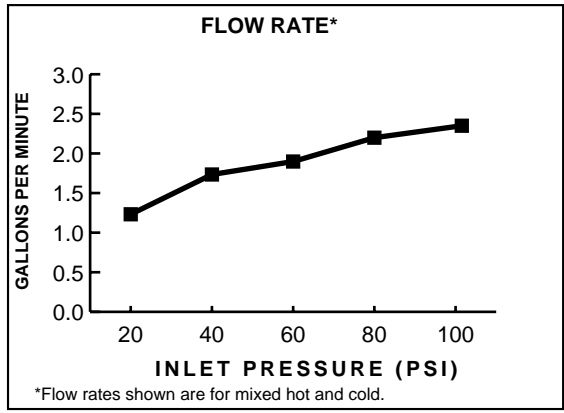
HERITAGE

**TWO-HANDLE TOP-MOUNT  
KITCHEN FAUCET  
WITH BRASS GOOSENECK SPOUT**

**CODES AND STANDARDS**

These products meet or exceed the following codes and standards:

- ASME A112.18.1M**
- CSA B 125**
- NSF 61/Section 9**



Product Number	Description	Finish
		Polished Chrome
		002
6274.000	Kitchen faucet. Gooseneck swing spout. Handspray. Less handles.	
6275.000	Kitchen faucet. Gooseneck swing spout. Less handspray. Less handles.	

**Handles must be ordered separately.**

To order **Less Handles** - Specify: 4 digit style number followed by three zeros and 3 digit finish number.  
 Example 6274.000.002 = Kitchen faucet with hand spray in Polished Chrome finish.

The above fittings will accept the following Amaris-Series handles. \*

Wrist Blade	4-Arm Lever	Lever	Crown	Acrylic	Lexington	Triune Cross
172H 172V	152H 152V	142H 142V	102H 102V	112H	902 912	862

\* See Section N for additional information on handle kits.

Meets the American Disabilities Act Guidelines and **ANSI A117.1** Requirements for the physically challenged.