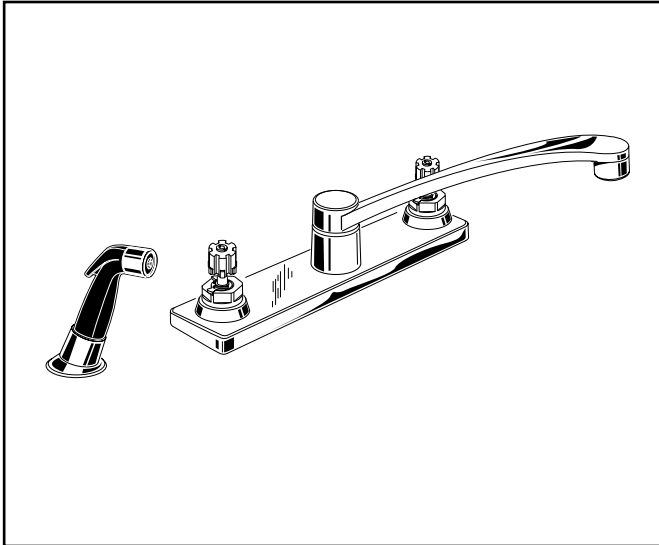


American Standard

HERITAGE

TWO-HANDLE TOP-MOUNT KITCHEN FAUCET WITH CONVENTIONAL BRASS SPOUT

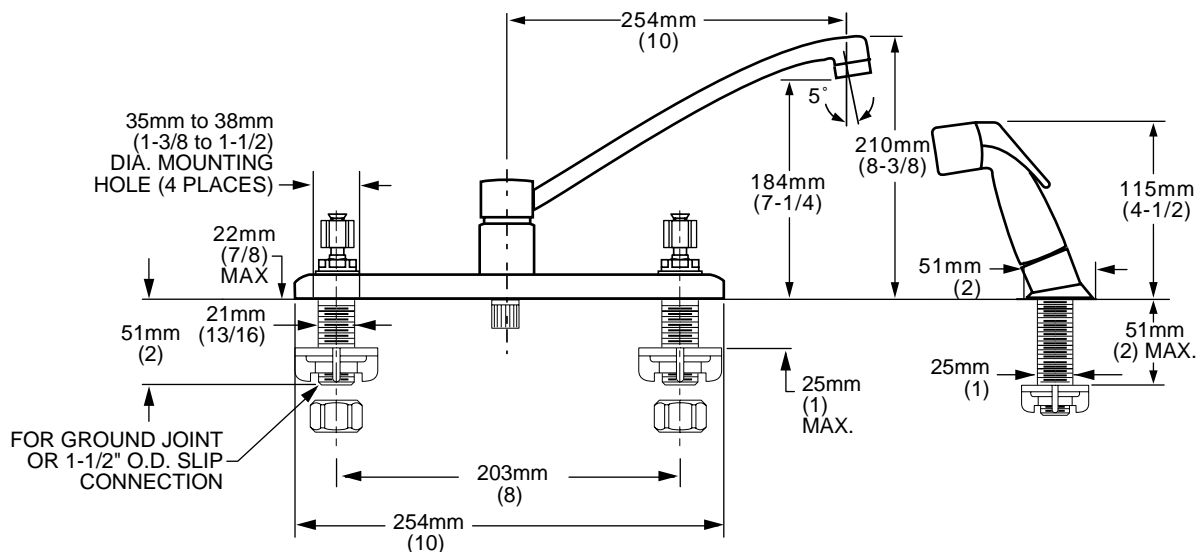


6279.000 Shown. Handles must be ordered separately.

MODEL NUMBER:

- 6279.000 Top-Mount Kitchen Faucet
Hand spray. Less handles.
- 6270.000 Top-Mount Kitchen Faucet
Less spray. Less handles.

Handles must be ordered separately.



GENERAL DESCRIPTION:

Durable cast brass construction. Amaris 1/4 turn washerless ceramic disc valve cartridges - reversible for use with either lever or round handles. One-half inch male inlet shanks with brass coupling nuts. 10" (254mm) long brass swing spout. Brass escutcheon plate (escutcheon size 10" L x 2-1/8" W). 2.2gpm/8.3L/min. maximum flow rate.

PRODUCT FEATURES:

Brass Construction: Durable - Excellent in high use applications. Ideal for prolonged contact with water.

Ceramic Disc Valve Cartridges: Assures a lifetime of drip-free performance.

Low Lead: Meets NSF Standard 61/Section 9 & Prop 65 lead requirements.

Wide Selection of Handle Styles: Full range of interchangeable handle styles.

SUGGESTED SPECIFICATION:

Two handle top-mount kitchen faucet shall feature cast brass construction with all brass coupling nuts. Shall also feature 1/4 turn washerless ceramic disc valve cartridges that are reversible for use with round or lever handles. Fitting shall be American Standard Model # _____ and handle kit # 0000._____.



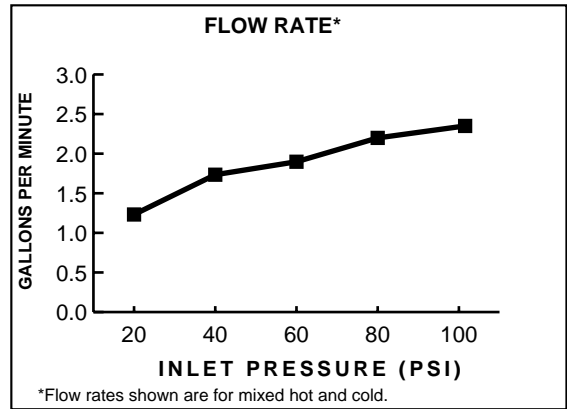
HERITAGE

TWO-HANDLE TOP-MOUNT
KITCHEN FAUCET
WITH CONVENTIONAL BRASS SPOUT

CODES AND STANDARDS

These products meet or exceed the following codes and standards:

- ASME A112.18.1M
- CSA B 125
- NSF 61/Section 9



Product Number	Description	Finish
		Polished Chrome
		002
6279.000	Kitchen faucet. Hand spray. Less handles.	
6270.000	Kitchen faucet. Less spray. Less handles.	

Handles must be ordered separately.

To order **Less Handles** - Specify: 4 digit style number followed by three zeros and 3 digit finish number. Example 6279.000.002 = Kitchen faucet with hand spray in Polished Chrome finish.

The above fittings will accept the following Amarilis-Series handles. *

Wrist Blade	4-Arm Lever	Lever	Crown	Acrylic	Lexington	Triune Cross
172H 172V	152H 152V	142H 142V	102H 102V	112H	902 912	862

* See Section N for additional information on handle kits.

Meets the American Disabilities Act Guidelines and **ANSI A117.1** Requirements for the physically challenged.