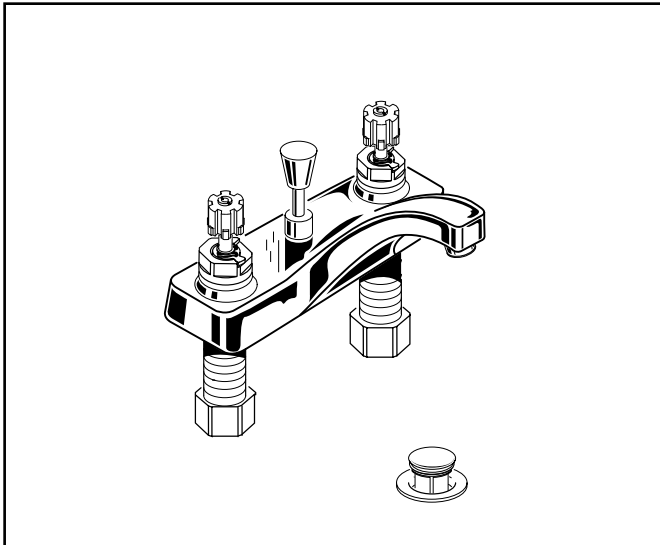


American Standard

HERITAGE

TWO-HANDLE CENTERSET LAVATORY FAUCET WITH CONVENTIONAL SPOUT

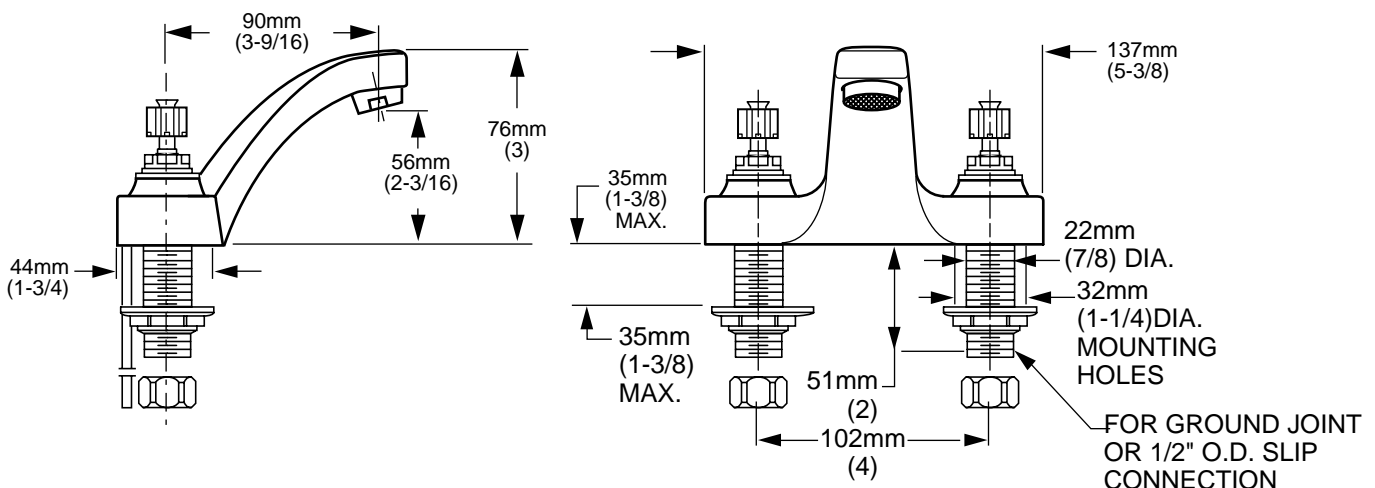


5401.000 Shown. Handles must be ordered separately.

MODEL NUMBER:

- 5400.000 Centerset Lavatory**
Less drain. Less pop-up hole. Less handles.
- 5401.000 Centerset Lavatory**
Pop-up drain. Less handles.
- 5402.000 Centerset Lavatory**
Grid strainer drain. Less handles.

Handles must be ordered separately.



GENERAL DESCRIPTION:

Durable cast brass construction throughout. Amaris 1/4 turn washerless ceramic disc valve cartridges - reversible for use with either lever or cross handles. One-half inch male inlet shanks with brass coupling nuts and shank nuts. All brass drain body with 1-1/4" (32mm) tailpiece. 2.2 gpm/8.3L/min. maximum flow rate.

PRODUCT FEATURES:

Solid Brass Construction: Durable - Excellent in high use applications. Ideal for prolonged contact with water.

Ceramic Disc Valve Cartridges: Assures a lifetime of drip-free performance.

Low Lead: Meets NSF Standard 61/Section 9 & Prop 65 lead requirements.

Wide Selection of Styles and Configurations: Full range of interchangeable fittings for residential and institutional applications.

SUGGESTED SPECIFICATION:

4" centerpiece lavatory faucet shall be cast brass construction with all brass shank nuts and coupling nuts. Shall also feature 1/4 turn washerless ceramic disc valve cartridges that are reversible for use with lever or cross handles. Fitting shall be American Standard Model # _____,_____.002 and handle kit # 0000,_____.002.



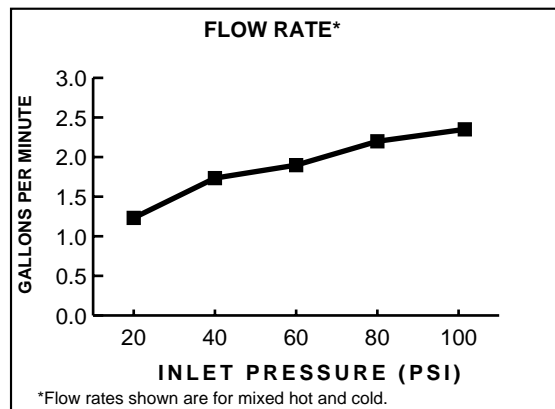
HERITAGE

**TWO-HANDLE CENTERSET
LAVATORY FAUCET
WITH CONVENTIONAL SPOUT**

CODES AND STANDARDS

These products meet or exceed the following codes and standards:

- ASME A112.18.1M**
- CSA B 125**
- NSF 61/Section 9**



Product Number	Description	Finish
		Polished Chrome 002
5400.000	Centerset Lavatory. Less pop-up hole. Less drain. Less handles. (Replaces 8400.000)	
5401.000	Centerset Lavatory. Pop-up drain. Less handles.	
5402.000	Centerset Lavatory. Grid strainer drain. Less handles.	

Handles must be ordered separately.

To order **Less Handles** - Specify: 4 digit style number followed by three zeros and 3 digit finish number.
Example 5400.000.002 = Centerset lavatory faucet, Less drain in Polished Chrome finish.

The above fittings will accept the following Amaris-Series handles.*

172H 172V	152H 152V	142H 142V	102H 102V	112H	902 912	862

Meets the American Disabilities Act Guidelines and **ANSI A117.1** Requirements for the physically challenged.