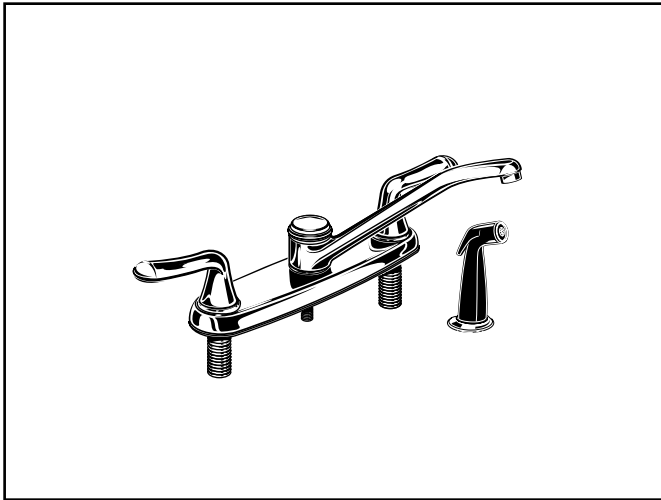
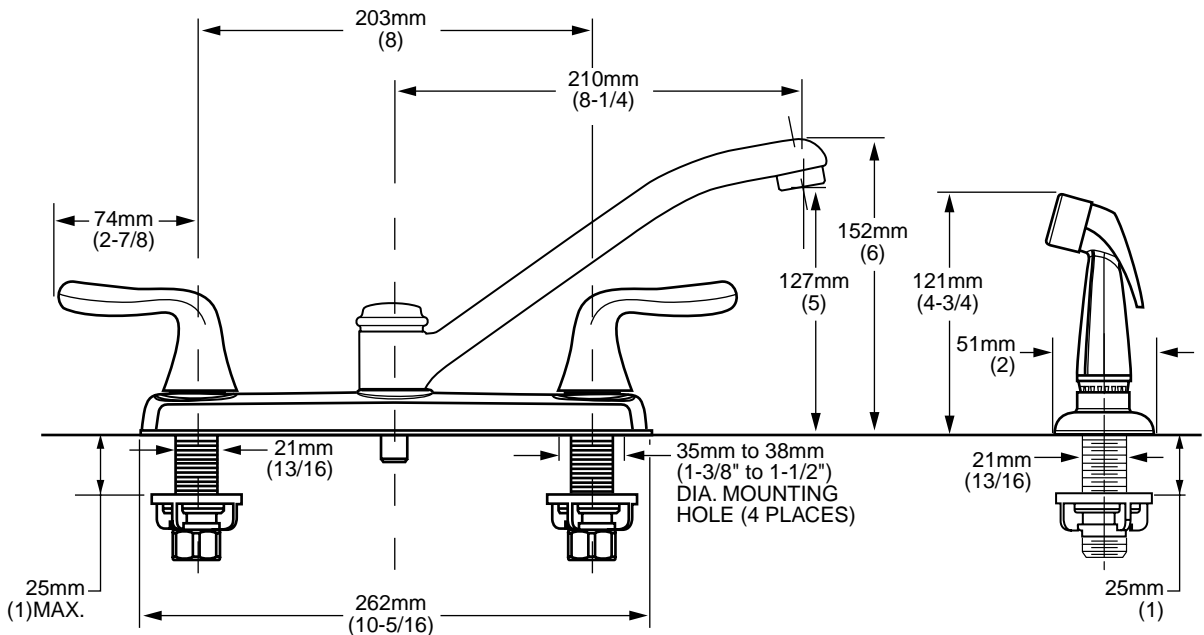


# American Standard

## COLONY SOFT TWO-HANDLE KITCHEN FAUCET



4275.501 Shown.



### GENERAL DESCRIPTION:

Kitchen faucet on 8" centers. 1/4 turn washerless ceramic disc valve cartridges - reversible for use on either "hot" or "cold" side. Durable cast brass waterway with 1/2" male inlet shanks. 8-1/4 (210mm) long cast brass swing spout. Metal escutcheon plate (escutcheon size 10-5/16"L x 2-3/8"W). 2.2gpm/8.3L/min. maximum flow rate. Metal lever handles.

### PRODUCT FEATURES:

**Cast Brass Waterways with "City Shanks":** Strong and durable. Integral tabs on casting provide a wobble-free installation.

**Ceramic Disc Valve Cartridges:** Assures a lifetime of drip-free performance. Reversible for use on either "hot" or "cold" side.

**Low Lead:** Meets NSF Standard 61/Section 9 & Prop 65 lead requirements.

**Simple Installation:** Fast and easy one person installation. Faucet drops in from top. Quick spin nuts secure faucet in place.

### SUGGESTED SPECIFICATION:

Two handle kitchen faucet shall feature a cast brass waterway. Shall also feature 1/4 turn washerless ceramic disc valve cartridges that are reversible for use on either "hot" or "cold" side. Brass swivel spout. Fitting shall be American Standard Model # 4275.5\_\_\_\_\_.



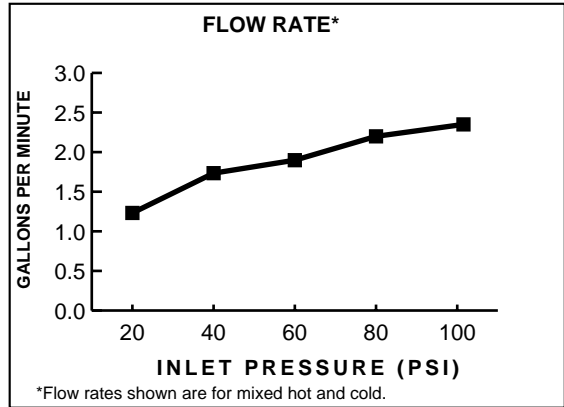
# COLONY SOFT

## TWO-HANDLE KITCHEN FAUCET

### CODES AND STANDARDS

These products meet or exceed the following codes and standards:

- ASME A112.18.1
- CSA B 125
- NSF 61/Section 9
- ANSI A117.1



|  | Product Number | Description  | Finish Options  |                    |
|--|----------------|--|-----------------|--------------------|
|  |                |  | Polished Chrome | PVD Polished Brass |
|  |                |  | 002             | 099                |
|  | 4275.500       | Kitchen faucet. Metal Lever handles. Less Handspray.     |                 |                    |
|  | 4275.501       | Kitchen faucet. Metal Lever handles. Separate Handspray. |                 |                    |

Meets the American Disabilities Act Guidelines and **ANSI A117.1** Requirements for the physically challenged.