

American Standard

Culinaire™

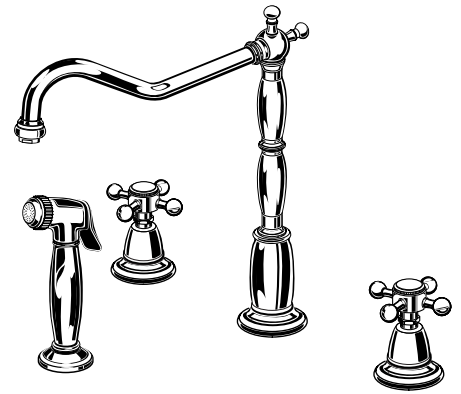
BOTTOM MOUNT  
KITCHEN FAUCETS

## Installation Instructions

4233.601

4233.611

4233.621



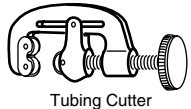
Thank you for selecting American-Standard...the benchmark of fine quality for over 100 years.

To ensure that your installation proceeds smoothly—please read these instructions carefully before you begin.

Certified to comply with ASME A112.18.1M

M968249E

### TOOLS REQUIRED



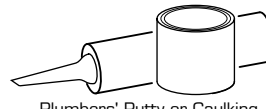
Tubing Cutter



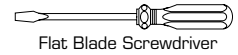
Channel Locks



Adjustable Wrench



Plumbers' Putty or Caulking



Flat Blade Screwdriver

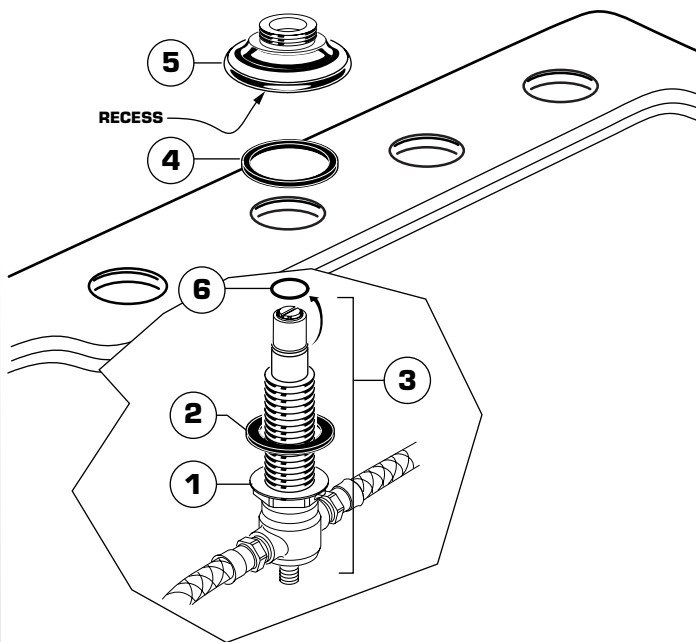


Phillips Screwdriver

## 1 INSTALL SPOUT BODY

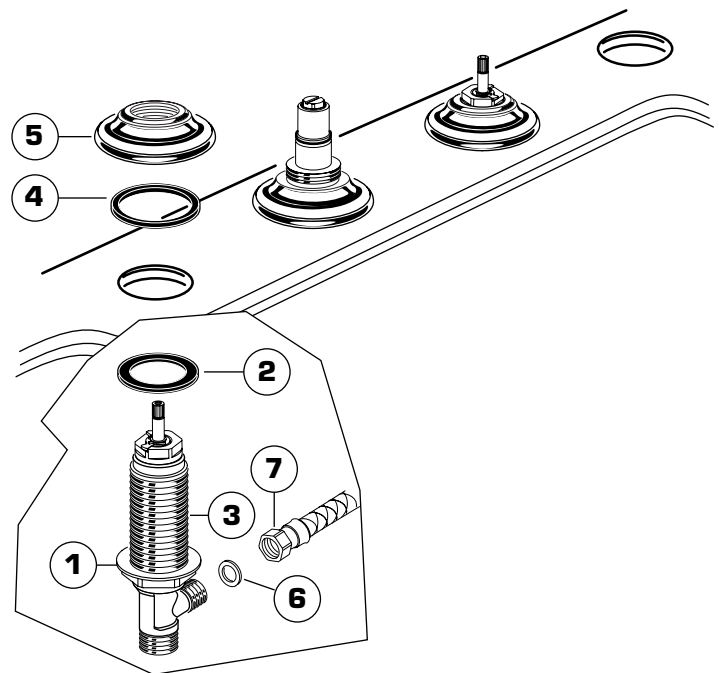
**CAUTION** Turn off hot and cold water supplies before beginning.

- Remove O-RING (6) using your fingers. **Do not** use anything sharp or pointed.
- Install LOCK NUT (1) and RUBBER WASHER (2) onto SPOUT BODY (3). Insert SPOUT BODY (3) through hole from underside of SINK.
- Place RUBBER RING (4) into SPOUT ESCUTCHEON (5) recess and thread SPOUT ESCUTCHEON (5) onto SPOUT BODY (3) until snug against internal stop.
- From under sink tighten LOCK NUT (1) to secure SPOUT BODY (3).
- Replace O-RING (6).



## 2 INSTALL VALVE BODIES

- Install LOCK NUT (1) and RUBBER WASHER (2) onto VALVE BODIES (3). Insert VALVE BODY (3) through hole from underside of SINK.
- Place RUBBER RING (4) into ESCUTCHEON (5) recess and thread ESCUTCHEON (5) onto VALVE BODY (3) until snug against internal stop.
- From under sink tighten LOCK NUT (1) to secure VALVE BODY (3).
- Insert SEAL WASHERS (6) into SPOUT BODY SUPPLY HOSES (7) and tighten connection to VALVE BODIES (3).



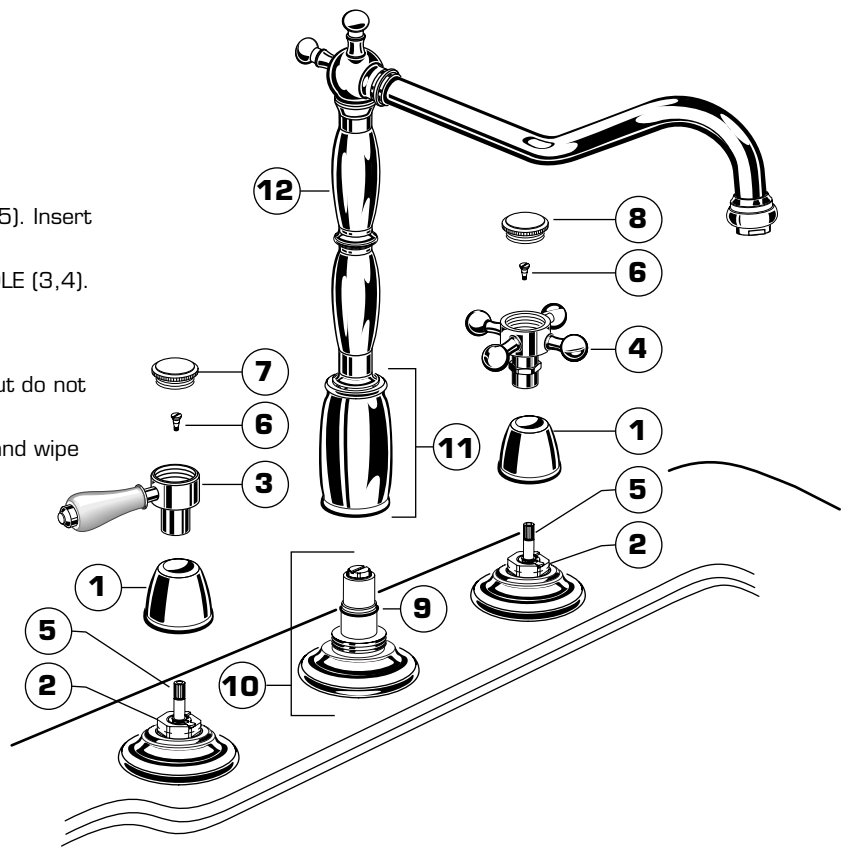
### 3 INSTALL HANDLES AND SWING SPOUT

#### HANDLES

- Turn VALVES to off position.
- Snap HANDLE BASE (1) onto VALVE CARTRIDGE (2).
- Align HANDLE (3 or 4) and push onto VALVE STEM (5). Insert HANDLE SCREW (6) and tighten.
- Push or screw in INDEX CAP (7, 8) into top of HANDLE (3,4).

#### SPOUT

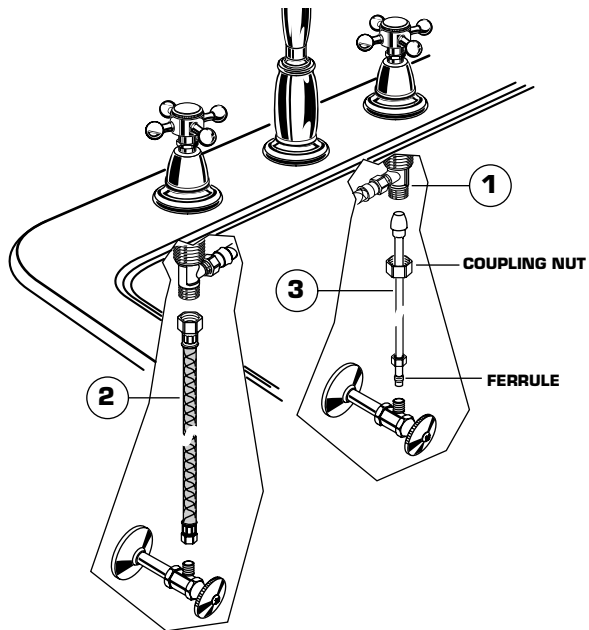
- Inspect O-ring (9) on SPOUT BODY (10) for debris, but do not remove the factory applied grease.
- Inspect inside of SPOUT MOUNTING (11) for debris and wipe clean if necessary.
- Carefully push SPOUT (11) over O-RING (9) and onto SPOUT BODY (10). Thread SPOUT (11) onto SPOUT BODY (10) and hand tighten. SWING SPOUT (12) should move left and right easily.



### 4 MAKE WATER SUPPLY CONNECTIONS

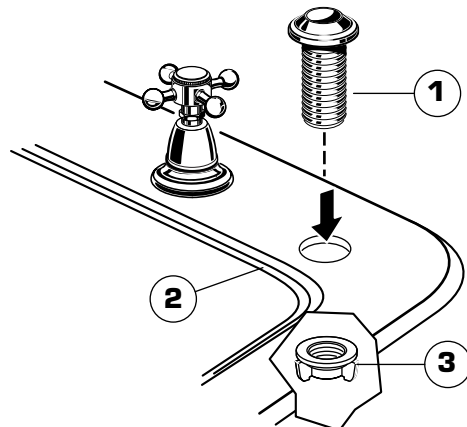
**NOTE: FLEXIBLE SUPPLIES OR BULL-NOSE RISERS MUST BE PURCHASED SEPARATELY.**

- Connect water supply to FAUCET (1) with 1/2" IPS FLEXIBLE SUPPLIES (2) or 3/8" O.D. BULL-NOSE RISERS (3).
- Use adjustable wrench to tighten connections. Do not over tighten. Be careful not to kink copper supply when bending.
- Use tubing cutter to cut to proper length.



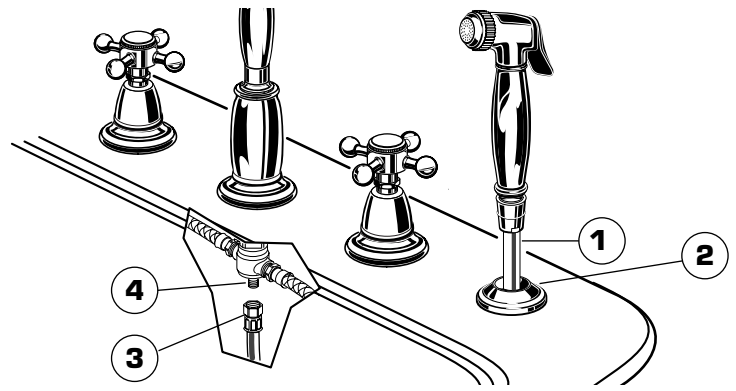
### 5 INSTALL SPRAY HOLDER

- Place SPRAY HOLDER (1) into separate hole of SINK (2) and assemble NUT (3) onto shank from underside of SINK (2).
- Hand tighten NUT (3).



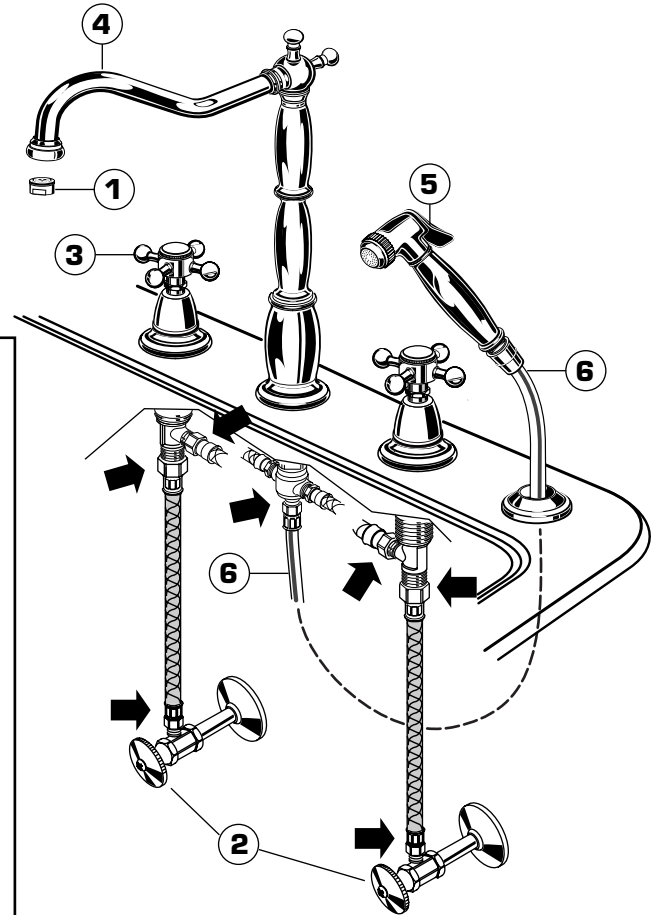
## 6 CONNECT SPRAY

- Feed SPRAY HOSE (1) through SPRAY HOLDER (2) and attach COUPLING NUT (3) of HOSE (1) to HOSE ADAPTOR (4) on valve body.
- Tighten COUPLING NUT (3) firmly.



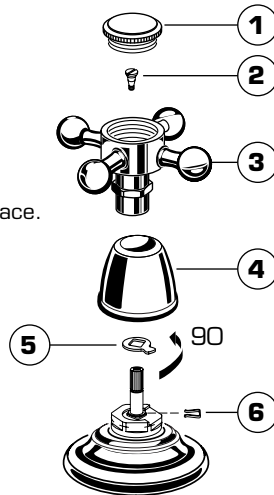
## 7 TEST INSTALLED FAUCET

- Remove AERATOR (1). With handles in OFF position, turn on WATER SUPPLIES (2) and check all connections for leaks.
- Operate both HANDLES (3) to flush water lines thoroughly. Rotate SPOUT (4) in both directions. Replace AERATOR (1).
- Direct SPRAY HEAD (5) into sink and activate SPRAY (5). Check HOSE (6) connections for leaks.



## 8 SERVICE

- To change direction of handle rotation, proceed as follows:
  - Turn valve to OFF position.
  - Remove INDEX CAP (1). Remove HANDLE SCREW (2).
  - Pull off HANDLE (3) and pull off HANDLE BASE (4).
  - Remove SPRING CLIP (6).
  - Lift STOP WASHER (5), turn 90° and replace.
  - Replace SPRING CLIP (6). Reinstall HANDLE BASE (4) and HANDLE ASSEMBLY (1, 2, 3).



### If faucet drips proceed as follows:

- Aerator may accumulate dirt causing distorted and reduced water flow. Remove aerator and rinse clean.
- If spout drips, operate handles several times from OFF to ON position. Do not force handles turn only 90°.

## 9 CLEANING INSTRUCTIONS

- To keep your faucet looking new, please follow these simple care instructions:
  - DO:**
    - Simply rinse the faucet clean with clear water.
    - Dry the faucet with a soft cotton cloth.
  - DO NOT:**
    - Do not use any abrasive cleaners, cloths, or paper towels.
    - Do not use any cleaning agents containing acids, polish abrasives, or harsh cleaners or soaps.

Regular and routine cleaning will reduce the need for heavy cleaning and polishing. If heavy cleaning is required, the following procedures are recommended:

Remove as much surface dirt and film using clear water and soft cotton cloth (as described above).

- Use any of the following to remove tough surface film and build-up:
  - Mild liquid detergents
  - Clear liquid glass cleaners
  - Non-acidic, non-abrasive gentle liquid or fully dissolved powder cleansers mixed according to manufacturers directions.
  - Non abrasive liquid polishers

Once clean, rinse faucet again with clear water to thoroughly remove cleaner or polish and blot dry with a soft cotton cloth.

**Failure to follow these care instructions may damage the Faucet's finish.**

# American Standard

# Culinaire™ BOTTOM MOUNT KITCHEN FAUCETS

MODEL NUMBER

**4233.601**  
**4233.611**  
**4233.621**

**M907011-YYY0A**  
INDEX BUTTON (METAL LEVER)

**M962259-YYY0A**  
METAL  
LEVER HANDLE

**918555-0070A**  
HANDLE SCREW

**M962213-YYY0A**  
INDEX BUTTON (HOT)  
**M962214-YYY0A**  
INDEX BUTTON (COLD)

**E908414-YYY0A**  
PORCELAIN LEVER HANDLE

**918555-0070A**  
HANDLE SCREW

**M962213-YYY0A**  
INDEX BUTTON (HOT)  
**M962214-YYY0A**  
INDEX BUTTON (COLD)

**918555-0070A**  
HANDLE SCREW

**E908443-YYY0A**  
CROSS HANDLE

**M962215-YYY0A**  
HANDLE BASE

**020580-YYY0A**  
VALVE ESCUTCHEON KIT

**994053-0070A**  
VALVE

**030258-0070A**  
VALVE MOUNTING KIT

**024220-0070A**  
SUPPLY NUT

**030258-0070A**  
SPOUT  
MOUNTING KIT

**077043-0070A**  
DIVERTER

**921767-0070A**  
COUPLING

**M961635-0070A**  
TUBE & SEAL KIT

**M962216-YYY0A**  
SPOUT

**A922869-YYY0A**  
AERATOR

**923012-0070A**  
CLIP

**073542-0070A**  
SPOUT O-RING

**M961633-YYY0A**  
SPOUT ESCUTCHEON

**M962217-YYY0A**  
HANDSPRAY & HOSE

**M962218-YYY0A**  
SPRAY HOLDER



HOT LINE FOR HELP  
For toll-free information and answers to your questions, call:  
1-800 442-1902  
Weekdays 8:00 a.m. to 8:00 p.m. EST

IN CANADA 1-800-387-0369 (TORONTO 1-905-306-1093)  
Weekdays 8:00 a.m. to 7:00 p.m. EST

Product names listed herein are trademarks of American Standard Inc.  
© American Standard Inc. 2003

Replace the "YYY" with  
appropriate finish code

|                  |     |
|------------------|-----|
| CHROME           | 002 |
| POLISHED BRASS   | 099 |
| SATIN            | 295 |
| BLACKENED BRONZE | 068 |

M968249E