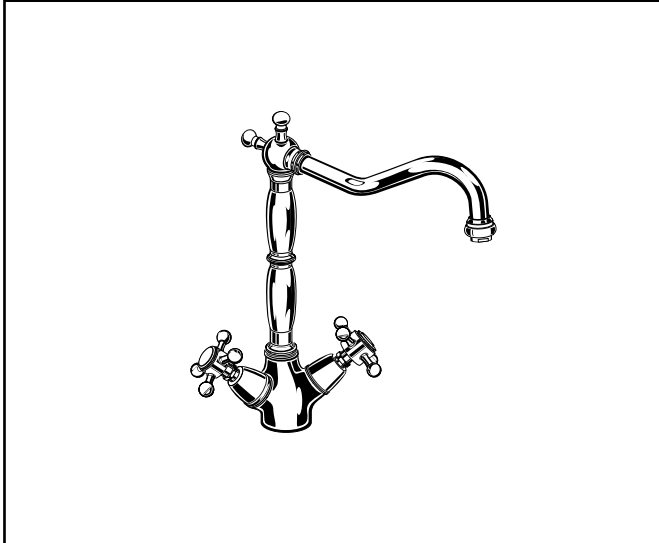


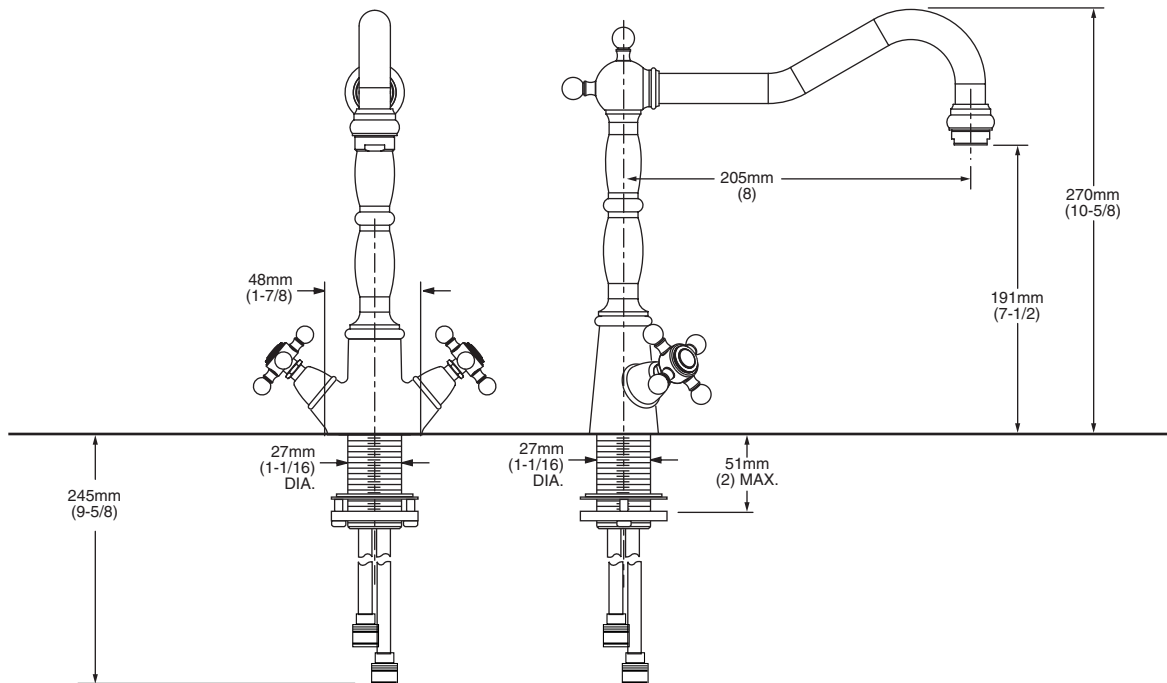
# American Standard

## CULINAIRE™ TWO-HANDLE PANTRY/BAR SINK FAUCET with BRASS SPOUT



### MODEL NUMBER:

- 4233.400 Single Hole Pantry/Bar Sink Faucet  
Metal cross handles.



### GENERAL DESCRIPTION:

Durable brass construction. 1/4 turn washerless ceramic disc valve cartridges. 3/8" O.D. copper supplies with 1/2" male threaded connectors and nuts. Threaded brass mounting shank with brass mounting nut. 203mm (8") Brass swing spout. Pressure compensating aerator with 2.2gpm/8.3L/min. maximum flow rate.

### PRODUCT FEATURES:

**Brass & Copper Waterway:** Highest quality faucet materials for durability and long life.

**Ceramic Disc Valve Cartridges:** Assures smooth, precise valve control and a lifetime of drip-free performance.

**Low Lead:** Meets NSF Standard 61/Section 9 & Prop 65 lead requirements.

**Choice of Finishes:** Wide range of durable finishes.

### SUGGESTED SPECIFICATION:

Two handle pantry/bar sink faucet shall feature a cast brass body, 203mm (8") brass swing spout and brass handles. Shall also feature 1/4 turn ceramic disc valve cartridges. Fitting shall be American Standard Model# 4233.400.\_\_\_\_\_.

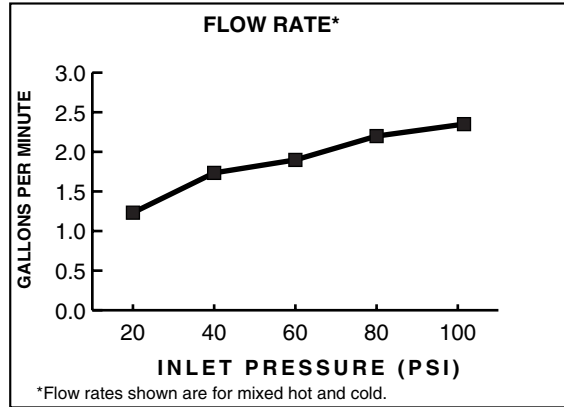


**CULINAIRE™**  
**TWO-HANDLE**  
**PANTRY/BAR SINK FAUCET**  
 with BRASS SPOUT

**CODES AND STANDARDS**

These products meet or exceed the following codes and standards:

- ASME A112.18.1**
- CSA B 125**
- NSF 61/Section 9**



Product Number	Description	Finish Options			
		Polished Chrome	PVD Blackened Bronze	PVD Polished Brass	PVD Satin
		002	068	099	295
4233.400	Single Hole Pantry/Bar Sink Faucet. Metal Cross handles.				