

American Standard

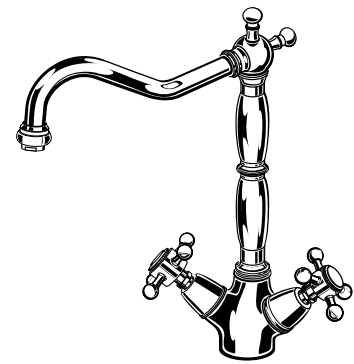
Installation Instructions

4233.400

Culinaire™ BAR/PANTRY FAUCET

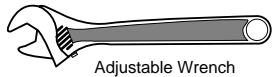
Thank you for selecting American Standard...the benchmark of fine quality for over 100 years.

To ensure that your installation proceeds smoothly—please read these instructions carefully before you begin.



Certified to comply with ANSI A112.18.1M
M968258

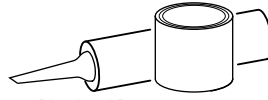
Recommended Tools & Materials



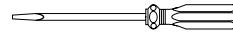
Adjustable Wrench



Tubing Cutter



Plumbers' Putty or
Caulking



Regular Screwdriver



Phillips Screwdriver

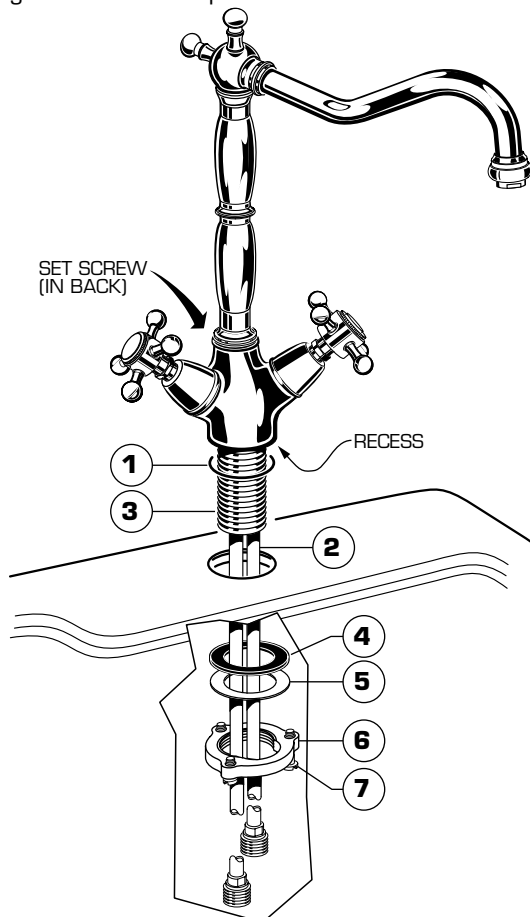


Channel Locks

1 INSTALL FAUCET

CAUTION Turn off hot and cold water supplies before beginning.

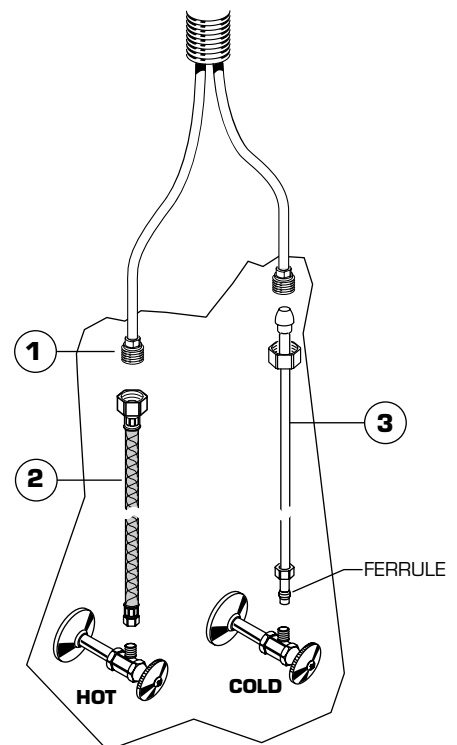
- Make certain the large O-RING (1) is properly seated in recess of faucet body.
- Insert supply TUBES (2) and SHANK (3) through hole of sink or mounting surface
- Assemble RUBBER WASHER (4), BRASS WASHER (5), and thread LOCKNUT (6) onto SHANK (3) from underside of sink. Hand tighten LOCKNUT (6) Check that FAUCET is centered.
NOTE: Set screw is in back of faucet body.
- Use a screwdriver to tighten the SCREWS (7) on LOCKNUT (6). Alternate tightening the SCREWS (7) slightly each time until snug to ensure even pressure.



2 MAKE WATER SUPPLY CONNECTIONS

NOTE: FLEXIBLE SUPPLIES OR BULL-NOSE RISERS MUST BE PURCHASED SEPARATELY.

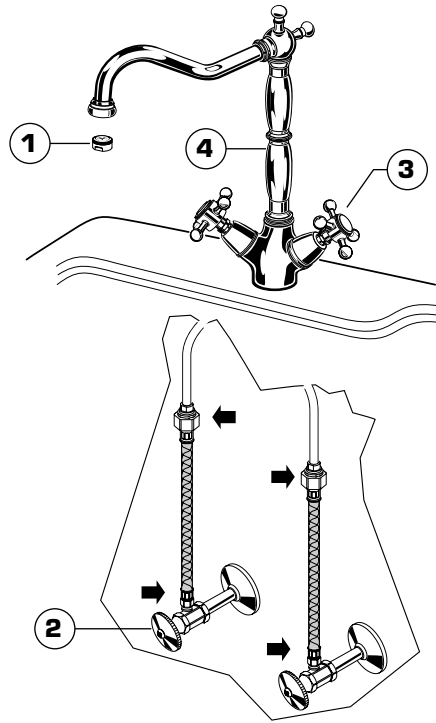
- Connect water supplies to SUPPLY ADAPTERS (1) with 1/2" IPS FLEXIBLE SUPPLIES (2) or 3/8" O.D. BULL-NOSE RISERS (3).
- Use tubing cutter to cut to proper length.
- Connect the HOT to the left supply and the COLD to the right supply.
- Use adjustable wrench on coupling nut and another wrench on supply adapters to prevent twisting of supply tubes. Tighten connections. Do not over tighten. Be careful not to kink copper supply when bending.



3

TEST INSTALLED FAUCET

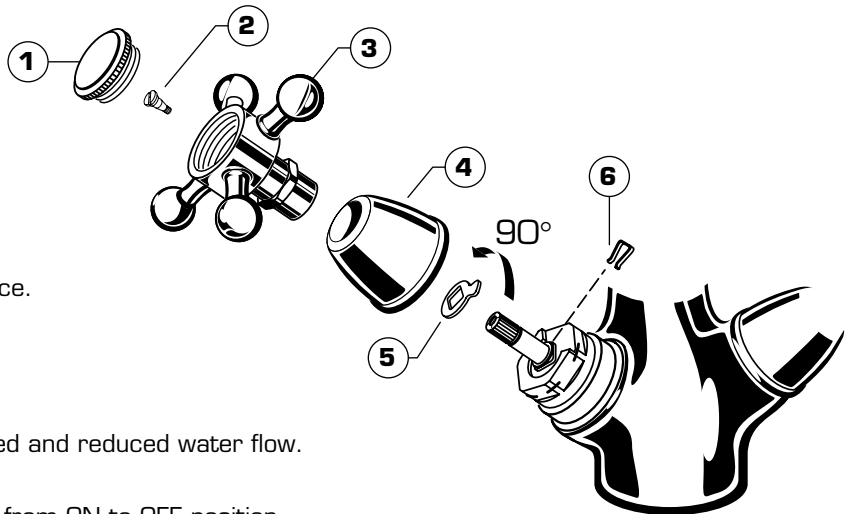
- Remove AERATOR (1). With handles in OFF position, turn on WATER SUPPLIES (2) and check all connections for leaks.
- Operate both HANDLES (3) to flush water lines thoroughly. Rotate SPOUT (4) in both directions. Replace AERATOR (1).



4

SERVICE

- To change direction of handle rotation, proceed as follows:
 - Turn valve to OFF position.
 - Remove INDEX CAP (1). Remove HANDLE SCREW (2).
 - Pull off HANDLE (3) and pull off HANDLE BASE (4).
 - Remove SPRING CLIP (6).
 - Lift STOP WASHER (5), turn 90° and replace.
 - Replace SPRING CLIP (6).
 - Reinstall HANDLE BASE (4) and HANDLE ASSEMBLY(3,2,1).



If faucet drips proceed as follows:

- Aerator may accumulate dirt causing distorted and reduced water flow. Remove aerator and rinse clean.
- If spout drips, operate handles several times from ON to OFF position. Do not force-handles turn only 90°.

5

CLEANING INSTRUCTIONS

- To keep your faucet looking new, please follow these simple care instructions:
 - DO:**
 - Simply rinse the faucet clean with clear water.
 - Dry the faucet with a soft cotton cloth.
 - DO NOT:**
 - Do not use any abrasive cleaners, cloths, or paper towels.
 - Do not use any cleaning agents containing acids, polish abrasives, or harsh cleaners or soaps.

Regular and routine cleaning will reduce the need for heavy cleaning and polishing. If heavy cleaning is required, the following procedures are recommended:

Remove as much surface dirt and film using clear water and soft cotton cloth (as described above).

- Use any of the following to remove tough surface film and build-up:
 - Mild liquid detergents
 - Clear liquid glass cleaners
 - Non-acidic, non-abrasive gentle liquid or fully dissolved powder cleansers mixed according to manufacturers directions.
 - Non abrasive liquid polishes

Once clean, rinse faucet again with clear water to thoroughly remove cleaner or polish and blot dry with soft cotton cloth.

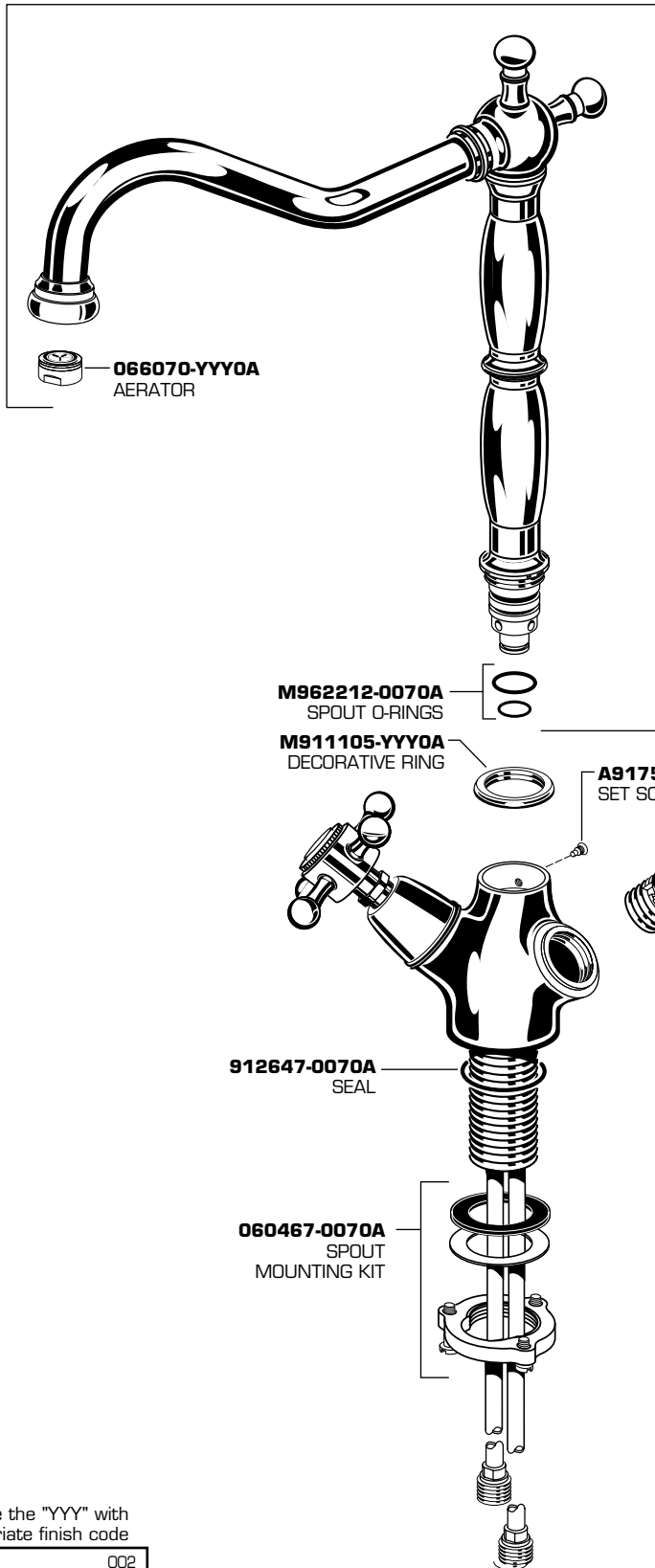
Failure to follow these care instructions may damage the Faucet's finish.

American Standard

Culinaire™
BAR/PANTRY
KITCHEN FAUCET

MODEL NUMBER

4233.400



066070-YYY0A
 AERATOR

M962211-YYY0A
 SPOUT

M962213-YYY0A
 INDEX BUTTON (HOT)
M962214-YYY0A
 INDEX BUTTON (COLD)

E908443-YYY0A
 CROSS HANDLE

918555-0070A
 HANDLE SCREW

M962212-0070A
 SPOUT O-RINGS

M911105-YYY0A
 DECORATIVE RING

A917514-0070A
 SET SCREW

M962215-YYY0A
 HANDLE BASE

994053-0070A
 VALVE

912647-0070A
 SEAL

060467-0070A
 SPOUT
 MOUNTING KIT

Replace the "YYY" with appropriate finish code

CHROME	002
POLISHED BRASS	099
SATIN	295
BLACKENED BRONZE	068



HOT LINE FOR HELP

For toll-free information and answers to your questions, call:
 1-800 442-1902
 Weekdays 8:00 a.m. to 8:00 p.m. EST

IN CANADA 1-800-387-0369 (TORONTO 1-905-306-1093)
 Weekdays 8:00 a.m. to 7:00 p.m. EST

Product names listed herein are trademarks of American Standard Inc.
 © American Standard Inc. 2002

M968258