

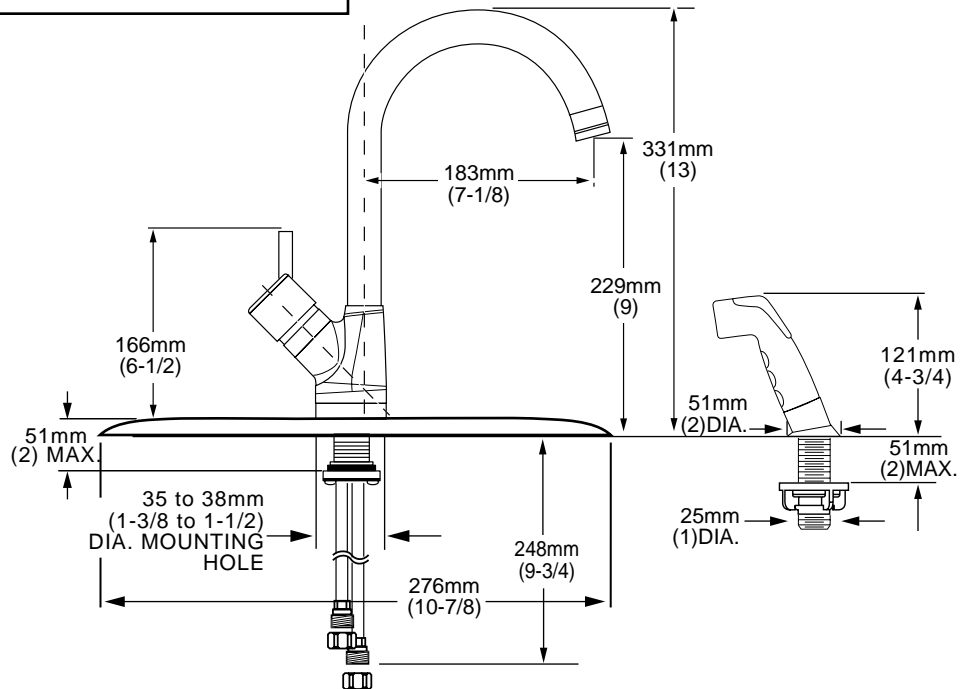
American Standard

CULINAIRE™

SINGLE CONTROL KITCHEN FAUCET WITH HI-FLOW SPOUT

MODEL NUMBER:

- **4147.001 Kitchen Faucet With Hi-Flow Spout**
Handspray. 3/8" O.D. copper supplies with 1/2" male threaded connectors and nuts. Escutcheon plate (installation is optional)



GENERAL DESCRIPTION:

Forged brass body and brass swing spout with stamped brass escutcheon plate, and metal lever handle. Washerless 35mm ceramic disc valve cartridge with Hot Limit Safety Stop. 3/8" O.D. copper supplies with 1/2" male threaded connectors and nuts. 2.2 gpm/8.3L/min. maximum flow rate. Can be mounted with or without supplied escutcheon plate (escutcheon size 10-7/8" L x 2-1/2" W x 9/16" H). Cap provided for less spray applications. Faucet can be right or left hand mounted.

PRODUCT FEATURES:

Brass and Copper Waterway: Highest quality faucet materials for durability & long life.

Ceramic Disc Valve Cartridge: Assures smooth, precise valve control and a lifetime of drip-free, maintenance free performance.

Memory Position Valving: Allows user to turn valve on and off at preferred temperature setting without readjusting handle position each time.

Larger Spout: Increased height and diameter.

Low Lead: Meets NSF Standard 61/Section 9 & Prop 65 lead requirements.

Choice of Finishes: Wide range of durable finishes.

SUGGESTED SPECIFICATION:

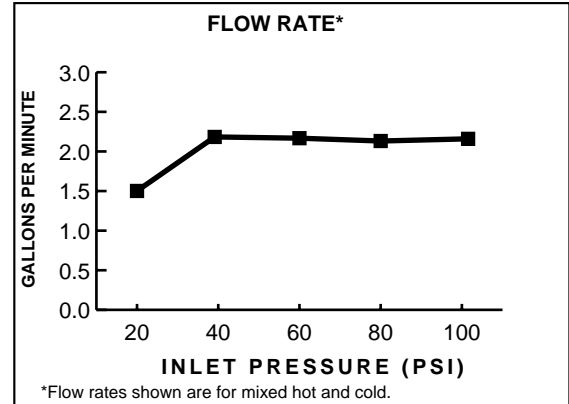
Single control kitchen faucet shall feature a forged brass body and brass swing spout. Stamped brass escutcheon plate, and metal lever handle. Shall also feature washerless ceramic disc valve cartridge. Fitting shall be American Standard Model # 4147.001._____.

SINGLE CONTROL KITCHEN FAUCET WITH HI-FLOW SPOUT


CODES AND STANDARDS

These products meet or exceed the following codes and standards:

ANSI A117.1
ASME A112.18.1
NSF 61/Section 9
CSA B125



Product Number	Description	Finish Options					
		Polished Chrome	PVD Blackened Bronze	PVD Stainless Steel	PVD Polished Brass	White Heat	PVD Satin
4147.001	Hi-Flow Kitchen Faucet. Handspray. 3/8" O.D. copper inlets with 1/2" male threaded connectors.	002	068	075	099	208	295

 Meets the American Disabilities Act Guidelines and **ANSI A117.1** Requirements for the physically challenged.