

American Standard

Culinaire™

SINGLE CONTROL KITCHEN FAUCET WITH HI-FLOW SPOUT

Thank you for selecting American-Standard...the benchmark of fine quality for over 100 years.

To ensure that your installation proceeds smoothly—please read these instructions carefully before you begin.

Installation Instructions

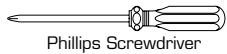
4147.001



Certified to comply with ANSI A112.18.1M

M968209

TOOLS REQUIRED



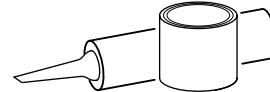
Phillips Screwdriver



Channel Locks



Adjustable Wrench



Plumbers' Putty or Caulking



Tubing Cutter

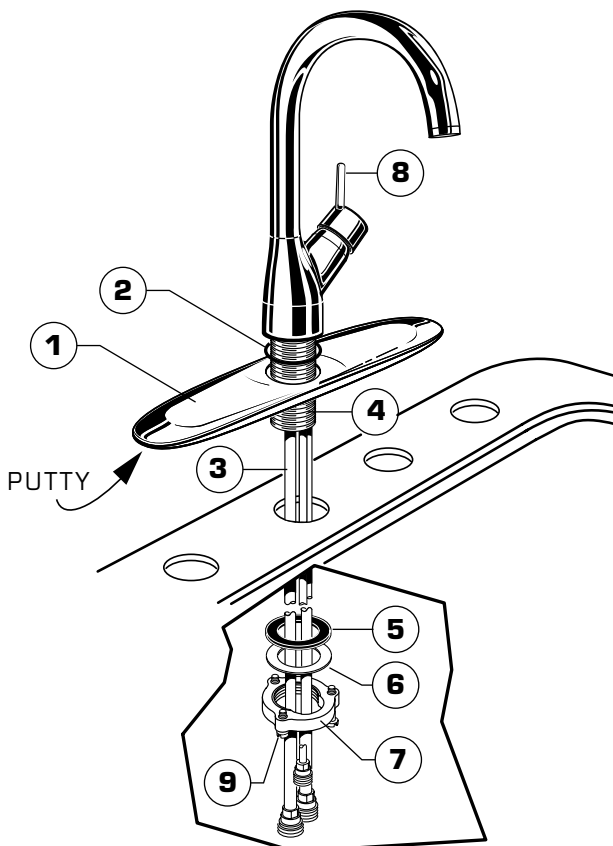
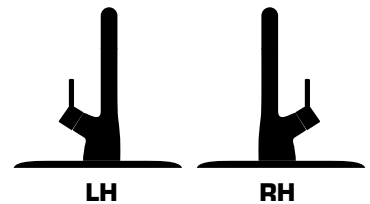
CARE INSTRUCTIONS:

DO: SIMPLY RINSE THE PRODUCT CLEAN WITH CLEAR WATER. DRY WITH A SOFT COTTON FLANNEL CLOTH. DO NOT: CLEAN THE PRODUCT WITH SOAPS, ACID, POLISH, ABRASIVES, HARSH CLEANERS, OR A CLOTH WITH A COARSE SURFACE AS THESE PRODUCTS MAY DAMAGE THE FINISH.

1 INSTALL FITTING WITH OR WITHOUT DECK ESCUTCHEON

CAUTION Turn off hot and cold water supplies before beginning.

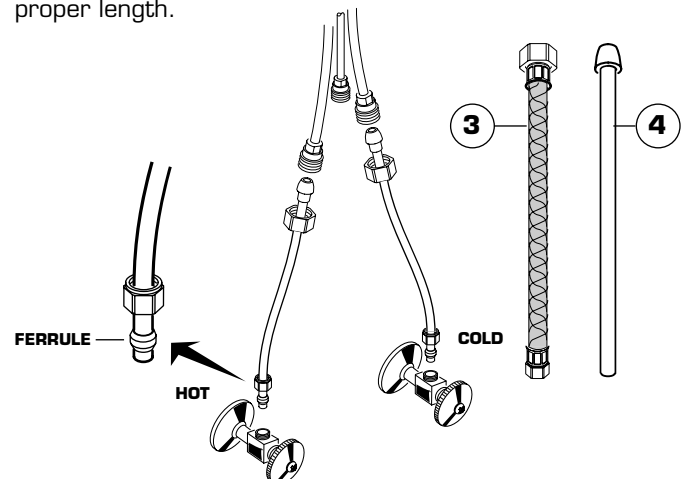
- Apply a bead of putty to bottom edge of ESCUTCHEON (1). **Note:** Installation of ESCUTCHEON (1) is optional.
- Make certain the large SEAL (2) is properly seated in recess of faucet body.
- Insert supply TUBES (3) and SHANK (4) through center hole of ESCUTCHEON (1) (if used) and sink.
- Assemble RUBBER WASHER (5), BRASS WASHER (6), and threaded LOCKNUT (7) onto SHANK (4) from underside of sink. Hand tighten LOCKNUT (7) and check that faucet is centered. **NOTE: FAUCET CAN BE INSTALLED FOR RIGHT OR LEFT HAND APPLICATIONS.**
- Use a screwdriver to tighten the SCREWS (9) on LOCKNUT (7). Work your way around LOCKNUT (7), tightening the SCREWS (9) slightly each time until all are snug to ensure even pressure.



2 MAKE WATER SUPPLY CONNECTIONS

NOTE: FLEXIBLE SUPPLIES HAVE TO BE PURCHASED SEPARATELY

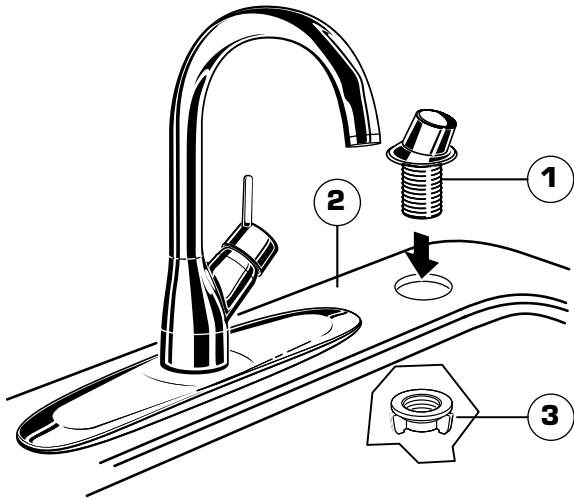
- Carefully bend COPPER SUPPLIES to meet water supply lines using the palms of the hands to avoid kinking.
- Connect HOT water supply line to left tube, and COLD water supply line to right tube using appropriate connectors.
- Use 1/2" IPS FLEXIBLE SUPPLIES (3) or 3/8" O.D. BULL-NOSE RISERS (4). Use adjustable wrench to tighten connections. Do not over tighten. Be careful not to kink copper supply when bending. Use tubing cutter to cut to proper length.



3 INSTALL SPRAY HOLDER

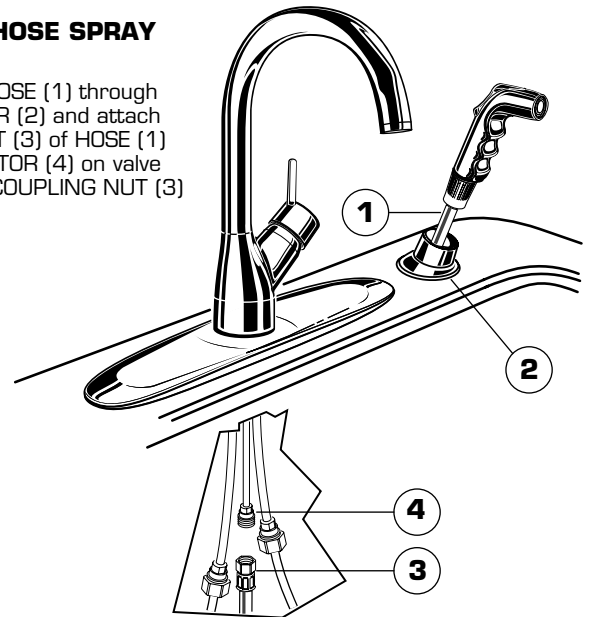
Note: For installation less hand spray see step 4a.

- Place SPRAY HOLDER (1) into separate hole of SINK (2).
- Assemble the SPRAY HOLDER WING NUT (3) onto the shank of SPRAY HOLDER (1) from below and tighten. **Do not use putty.**



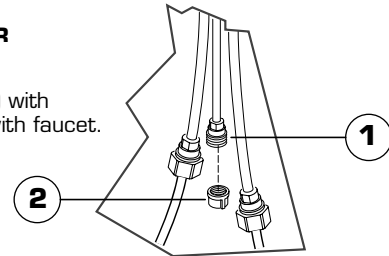
4 CONNECT HOSE SPRAY

- Feed SPRAY HOSE (1) through SPRAY HOLDER (2) and attach COUPLING NUT (3) of HOSE (1) to HOSE ADAPTOR (4) on valve body. Tighten COUPLING NUT (3) firmly.



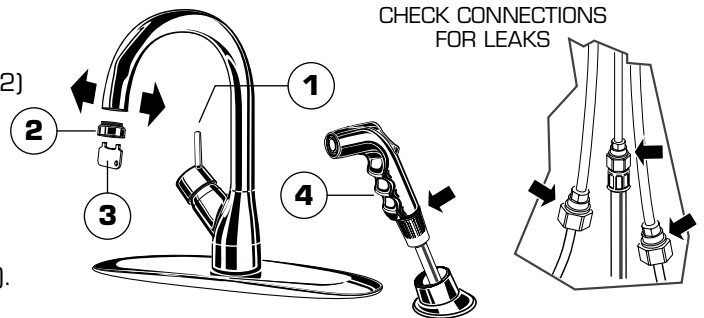
4a CAP HOSE ADAPTER

- Cap HOSE ADAPTER (1) with PIPE CAP (2) supplied with faucet.



5 TEST INSTALLED FAUCET

- Move HANDLE (1) into "off" position and remove AERATOR (2) with KEY (3) supplied.
- Turn on water supplies and check connections for leaks.
- Operate HANDLE (1) on and off, hot and cold to flush water lines thoroughly.
- Direct SPRAY (4) into sink and activate. Check hose connections for leaks.
- Move HANDLE (1) to "off" position and replace AERATOR (2).



6 SERVICE

Reduced flow. If the flow should gradually be reduced over a number of months, the AERATOR may have debris in it. To clean, remove AERATOR (1) with KEY (1a) and rinse with water to remove any debris. Turn on faucet to wash any debris out of the faucet. Screw AERATOR (1) back to the spout. Operate faucet.

- **Spout leakage.** If fitting leaks above SPOUT HUB (2) remove SPOUT (3) as follows and check SPOUT O-RINGS (4).

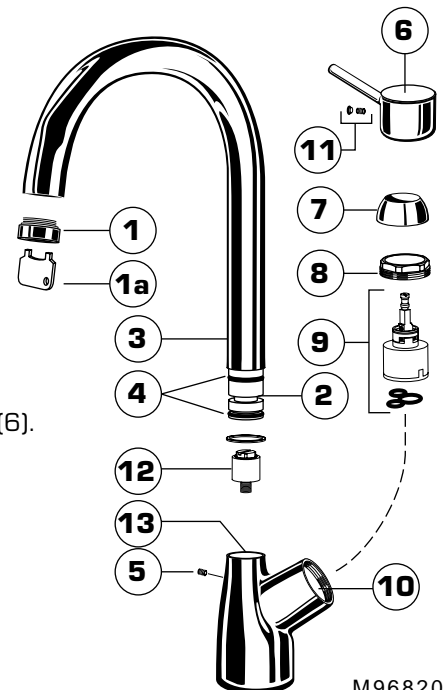
- Loosen SET SCREW (5) and pull SPOUT (3) off. Remove SPOUT (3) by pulling up gently while moving SPOUT (3) side to side.
- Check both SPOUT O-RINGS (4). Replace if necessary.
- Reverse procedure to reinstall SPOUT (3).

- **Clogged CARTRIDGE outlets or inlets may cause reduced flow.**

To clean, first turn off water supply then:

- Remove BUTTON (11) and loosen HANDLE SCREW (11) and remove HANDLE (6).
- Unscrew ESCUTCHEON CAP (7). Unscrew the CARTRIDGE NUT (8).
- Remove CARTRIDGE (9). Clean inlets of CARTRIDGE (9) and MANIFOLD (10).
- Reassemble CARTRIDGE (9). Replace CARTRIDGE NUT (8), CAP (7) and HANDLE (6) assembly, check flow.

- On models with SPRAYS, DIVERTER (12) can be cleaned with SPOUT (3) removed by unscrewing DIVERTER (12) out of the SPOUT RECESS (13).
- Clean DIVERTER (12) and SPOUT RECESS (13).
- Replace DIVERTER (12) back into SPOUT RECESS (13).
- Reverse procedure to reinstall SPOUT (3).



M968209

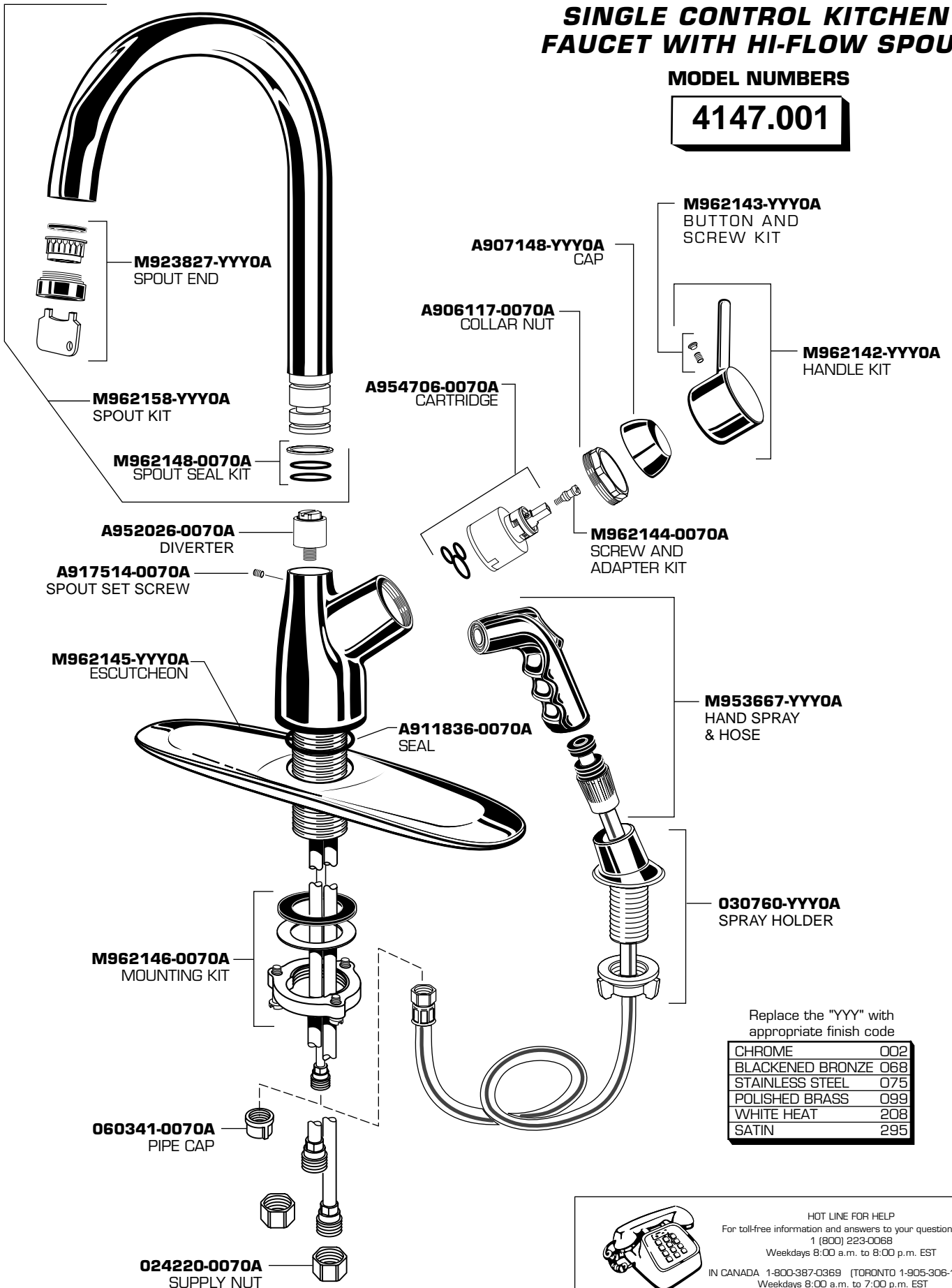
American Standard

Culinaire™

**SINGLE CONTROL KITCHEN
FAUCET WITH HI-FLOW SPOUT**

MODEL NUMBERS

4147.001



Replace the "YYY" with appropriate finish code

CHROME	002
BLACKENED BRONZE	068
STAINLESS STEEL	075
POLISHED BRASS	099
WHITE HEAT	208
SATIN	295



HOT LINE FOR HELP

For toll-free information and answers to your questions, call:
1 (800) 223-0068

Weekdays 8:00 a.m. to 8:00 p.m. EST

IN CANADA 1-800-387-0369 (TORONTO 1-905-306-1093)

Weekdays 8:00 a.m. to 7:00 p.m. EST

Product names listed herein are trademarks of American Standard Inc.
© American Standard Inc. 2002