

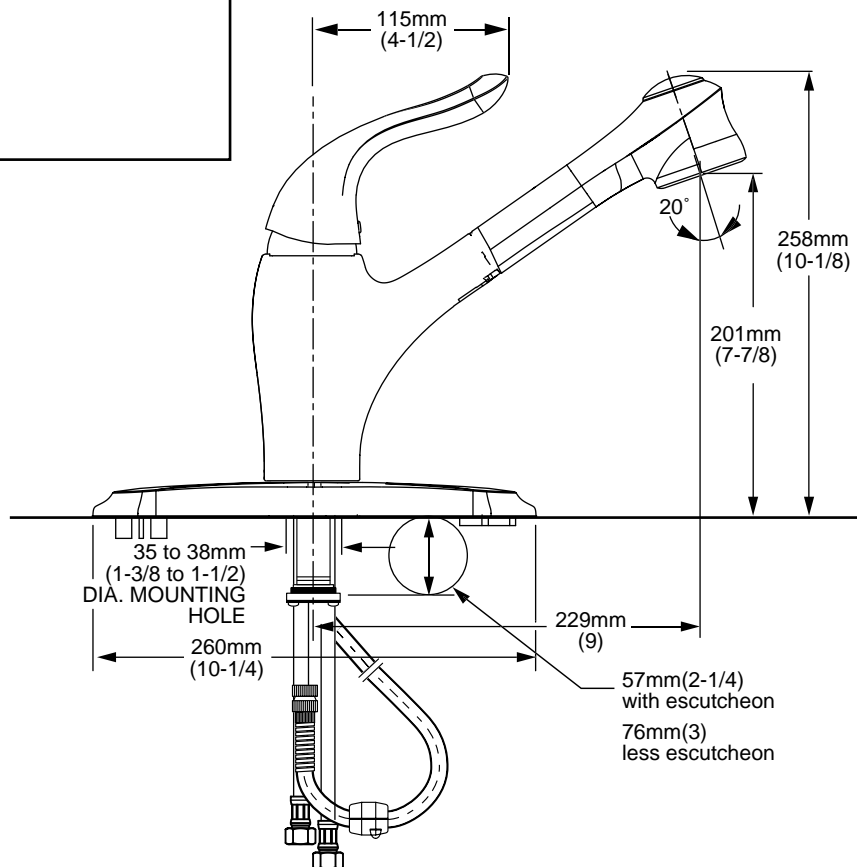
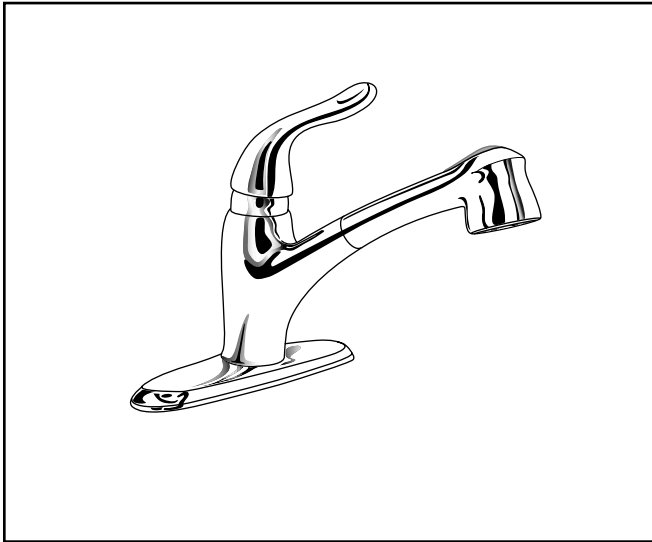
American Standard

LAKELAND™

**SINGLE CONTROL KITCHEN FAUCET
with PULL-OUT SPRAY**

MODEL NUMBER:

- ❑ **4114.100 Kitchen Faucet with Pull-Out Spray Spout**
Escutcheon plate (installation is optional).



GENERAL DESCRIPTION:

Metal body and metal escutcheon plate. Swivel pull-out spray spout. Metal hose is 1250mm (4') long. Washerless 47mm ceramic disc valve cartridge. 24" long braided flexible supply hoses with 3/8" compression connections. Brass mounting shank with brass fixation ring. Complete with two integral check valves. 2.2 gpm/8.3L/min. maximum flow rate. Can be mounted with or without supplied escutcheon plate (escutcheon size 10-1/4"L x 2-1/2"W).

PRODUCT FEATURES:

Ceramic Disc Valve Cartridge: Assures smooth, precise valve control and a lifetime of drip-free, maintenance-free performance.

Memory Position Valving: Allows user to turn valve on and off at preferred temperature setting without readjusting handle position each time.

Low Lead: Meets NSF Standard 61/Section 9 & Prop 65 lead requirements.

Integral Check Valves: Prevents back flow.

Pull-out Spray Spout: Switches water flow from a stream to a spray. Simplifies even the most difficult cleaning tasks.

SUGGESTED SPECIFICATION:

Single control kitchen combi faucet shall feature a swivel pull-out spray spout, metal escutcheon plate and metal lever handle. Shall also feature washerless ceramic disc valve cartridge, flexible supply hoses and two integral check valves. Fitting shall be American Standard Model # 4114.100._.



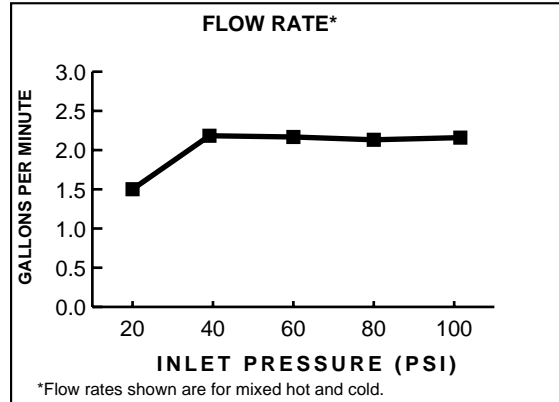
LAKELAND™

SINGLE CONTROL KITCHEN FAUCET with PULL-OUT SPRAY


CODES AND STANDARDS

These products meet or exceed the following codes and standards:

- ANSI A117.1
- ASME A112.18.1
- NSF 61/Section 9
- CSA B125



Product Number	Description	Finish Options	
		Polished Chrome	PVD Stainless Steel
4114.100	Kitchen Combi faucet.	002	075

 Meets the American Disabilities Act Guidelines and **ANSI A117.1** Requirements for the physically challenged.